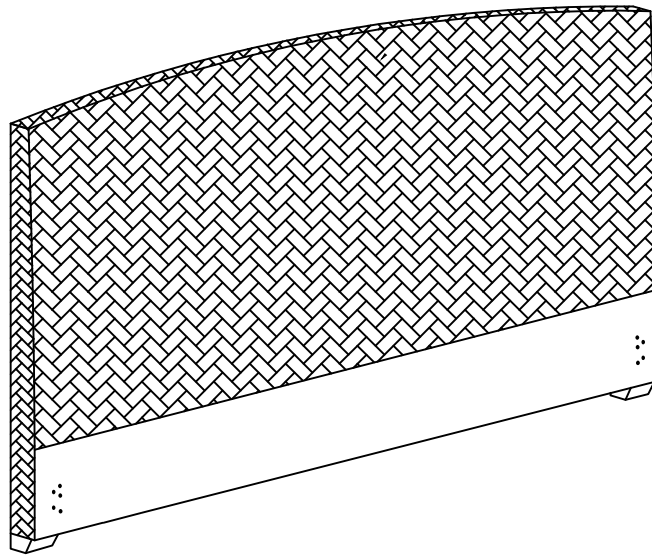




ASSEMBLY INSTRUCTIONS COASTER FINE FURNITURE



Fine Furniture for every stage of life

300501KE(B1) ***Eastern King Headboard***

ITEM: 300501KE (B1)



ASSEMBLE HEADBOARD TO METAL FRAME

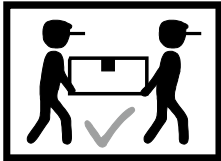
ASSEMBLY TIPS :

1. Remove hardware from box and sort by size.
2. Please check to see that all hardware and parts are present prior to start of assembly.
3. Please follow attached instructions in the same sequence as numbered to assure fast & easy assembly.



WARNING!

1. Don't attempt to repair or modify parts that are broken or defective. Please contact the store immediately.
2. This product is for home use only and not intended for commercial establishments.



ASSEMBLY TIME

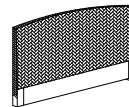
15 MINUTES

PARTS IDENTIFICATION

B1 (BOX 1)

A

HEADBOARD



1PC

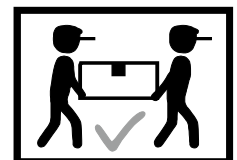
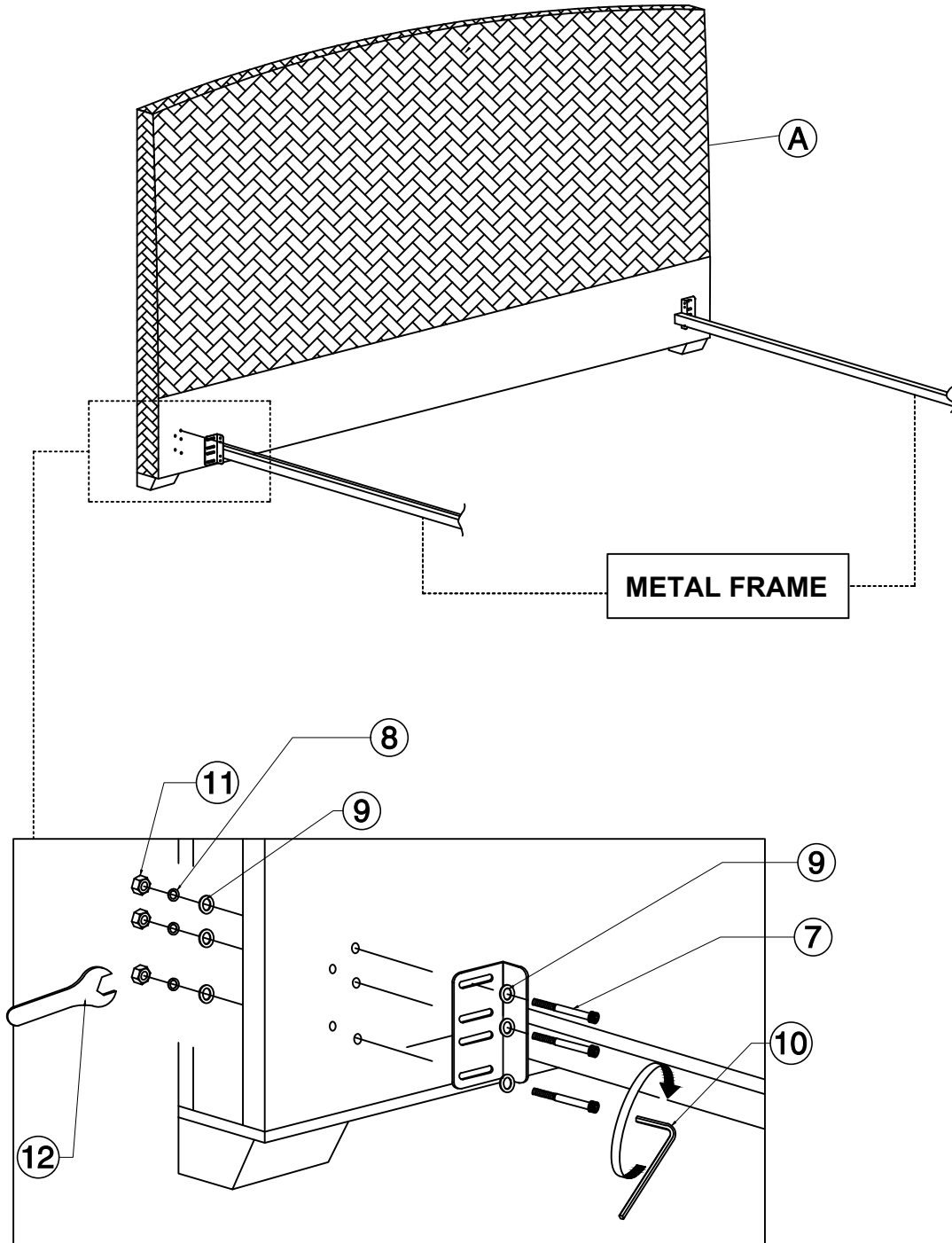
HARDWARE IDENTIFICATION

Z - B1 (BOX 1) - HARDWARE PACK IS LOCATED IN 300501KE (B1)

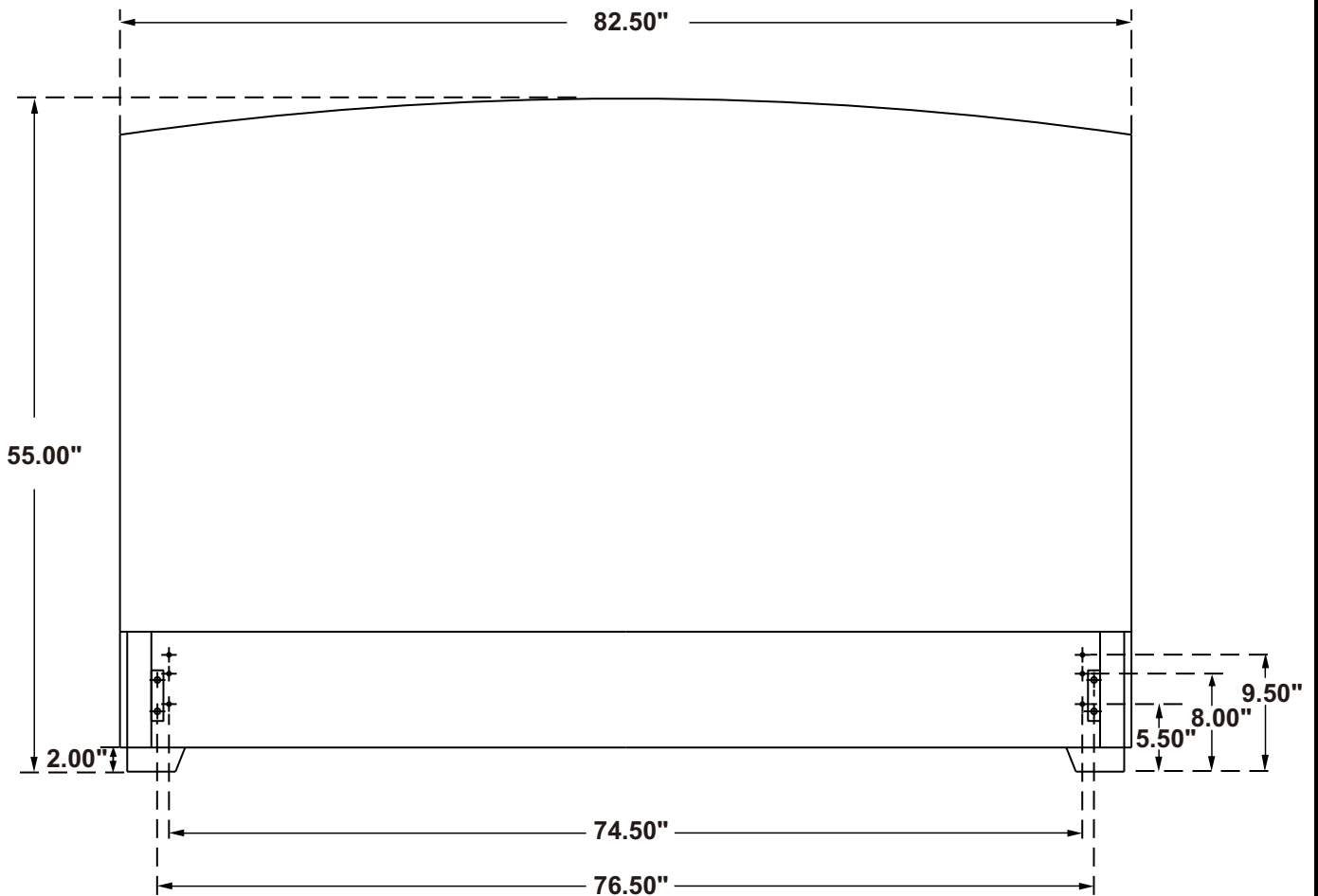
7	LONG BOLT (Ø7/23" x 2-3/8" - BLK)		6PCS
8	LOCK WASHER (Ø4/16" - RBW)		6PCS
9	FLAT WASHER (Ø4/16" - RBW)		12PCS
10	ALLEN WRENCH (4mm - BLK)		1PC
11	HEX NUT (M 6mm - BLK)		6PCS
12	WRENCH (3-3/8" x 1-1/8" - RBW)		1PC

ITEM: 300501KE (B1)

ASSEMBLE HEADBOARD TO METAL FRAME COMPLETE



ITEM: **300501KE (B1)**



Note: Dimension tolerance $\pm 5\%$