



ASSEMBLY INSTRUCTIONS

COASTER FINE FURNITURE



Fine Furniture for every stage of life

509641(B1&B2)
Sofa

ITEM: 509641(B1&B2)



ASSEMBLY INSTRUCTIONS

ASSEMBLY TIPS:

1. Remove hardware from box and sort by size.
2. Please check to see that all hardware and parts are present prior to start of assembly.
3. Please follow attached instructions in the same sequence as numbered to assure fast & easy assembly.



WARNING!

1. Don't attempt to repair or modify parts that are broken or defective. Please contact the store immediately.
2. This product is for home use only and not intended for commercial establishments.



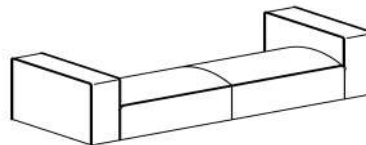
ASSEMBLY TIME

15 MINUTES

PARTS IDENTIFICATION

B1 (BOX 1)

A SOFA BASE



1PC

B2 (BOX 2)

B LEG



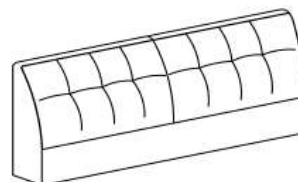
4PCS

C CENTER SUPPORT LEG WITH LEVELER



1PC

D BACKREST



1PC

ITEM: 509641(B1&B2)



ASSEMBLY INSTRUCTIONS

ASSEMBLY TIPS:

1. Remove hardware from box and sort by size.
2. Please check to see that all hardware and parts are present prior to start of assembly.
3. Please follow attached instructions in the same sequence as numbered to assure fast & easy assembly.



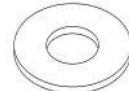
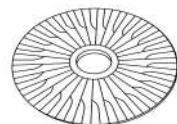



WARNING!

1. Don't attempt to repair or modify parts that are broken or defective. Please contact the store immediately.
2. This product is for home use only and not intended for commercial establishments.

HARDWARE IDENTIFICATION

Z-B2 (BOX 2) - HARDWARE PACKED IS LOCATED IN 509641 (B2)

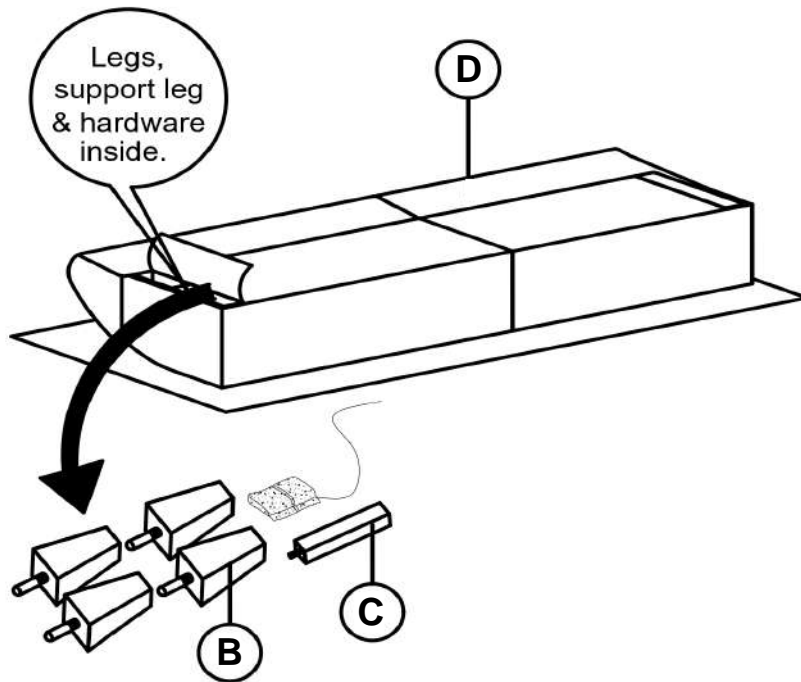
1	ALLEN WRENCH (M4 x 95mm - BLK)		1PC
2	BOLT (M6 x 50mm - BLK)		4PCS
3	FLAT WASHER (5/16" x 2mm - BLK)		4PCS
4	PLASTIC WASHER (47 x 3mm - BLK)		4PCS
5	FLAT WASHER (1/4" x 1mm - BLK)		1PC

ITEM: 509641(B1&B2)

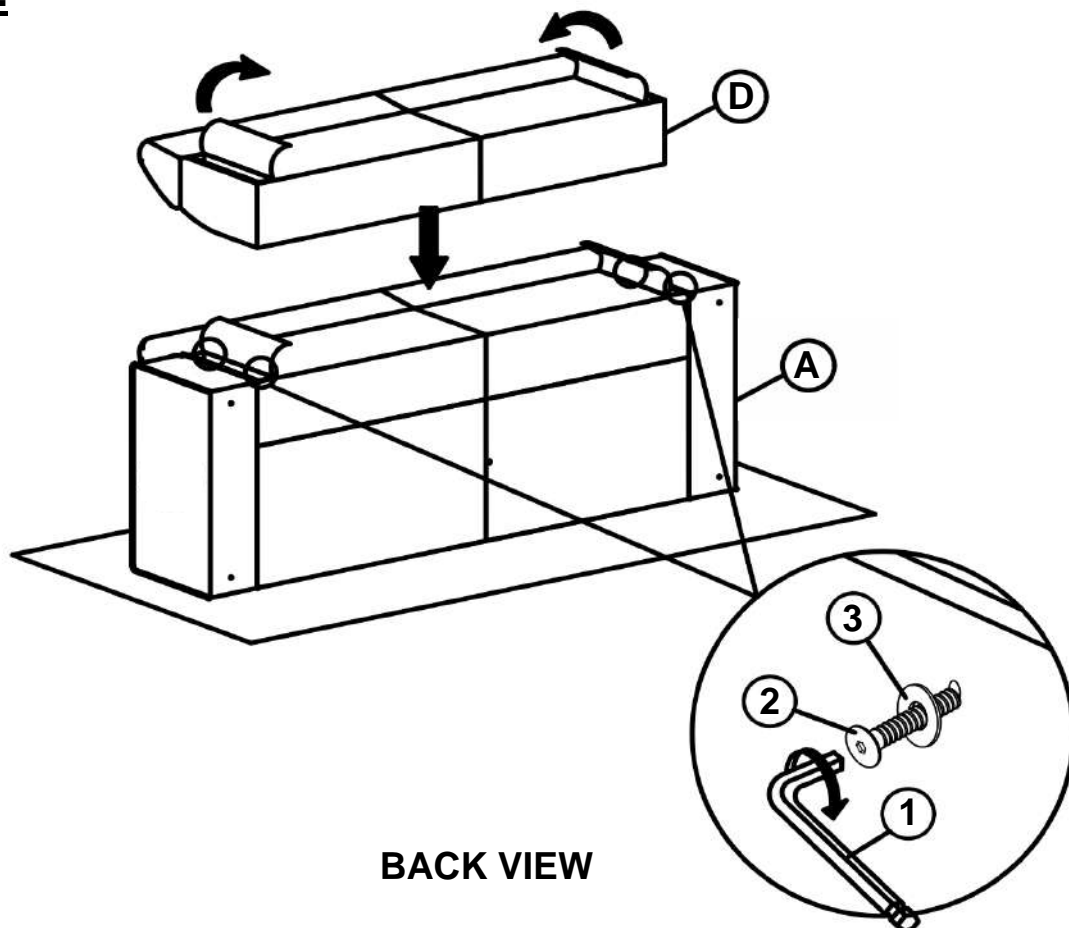
ASSEMBLY INSTRUCTIONS



STEP 1



STEP 2

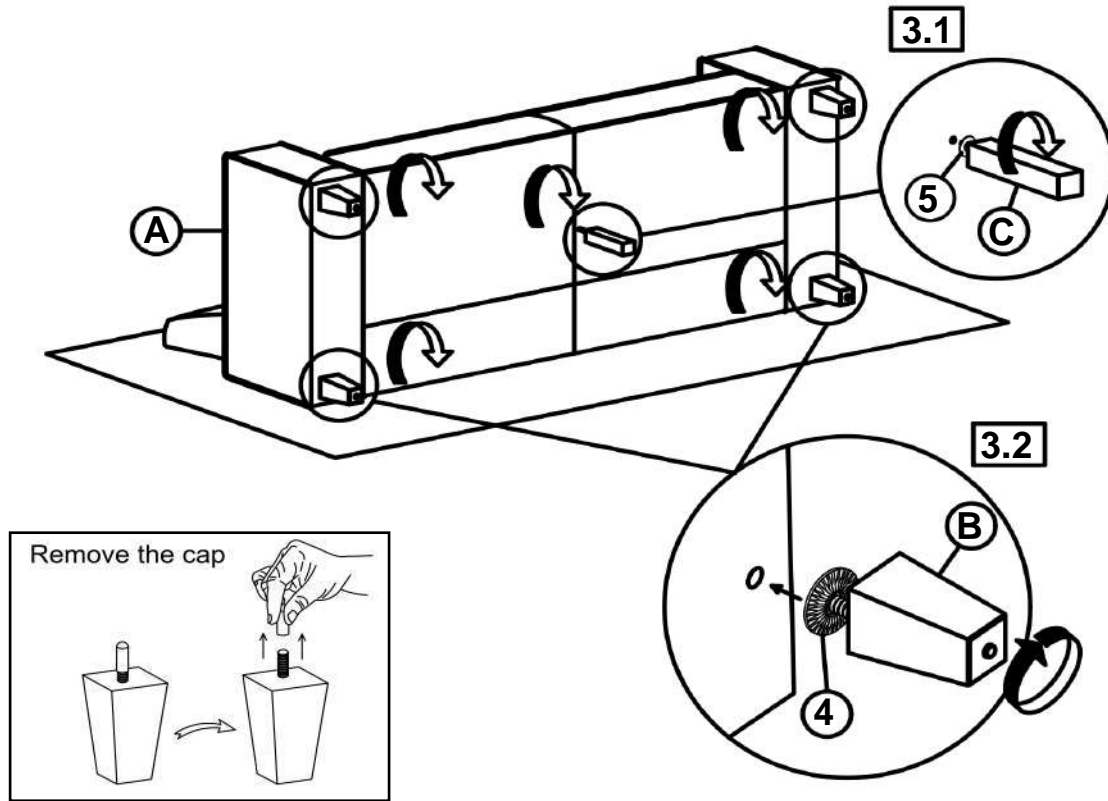


ITEM: **509641(B1&B2)**

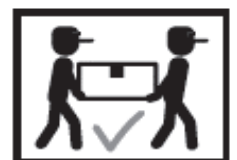
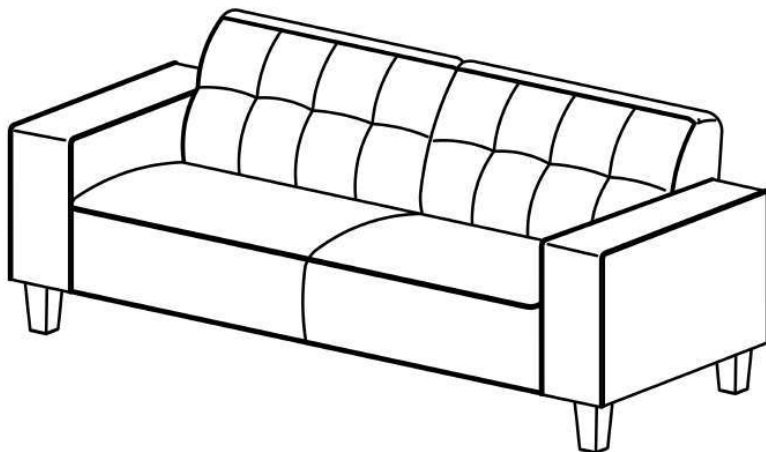
ASSEMBLY INSTRUCTIONS



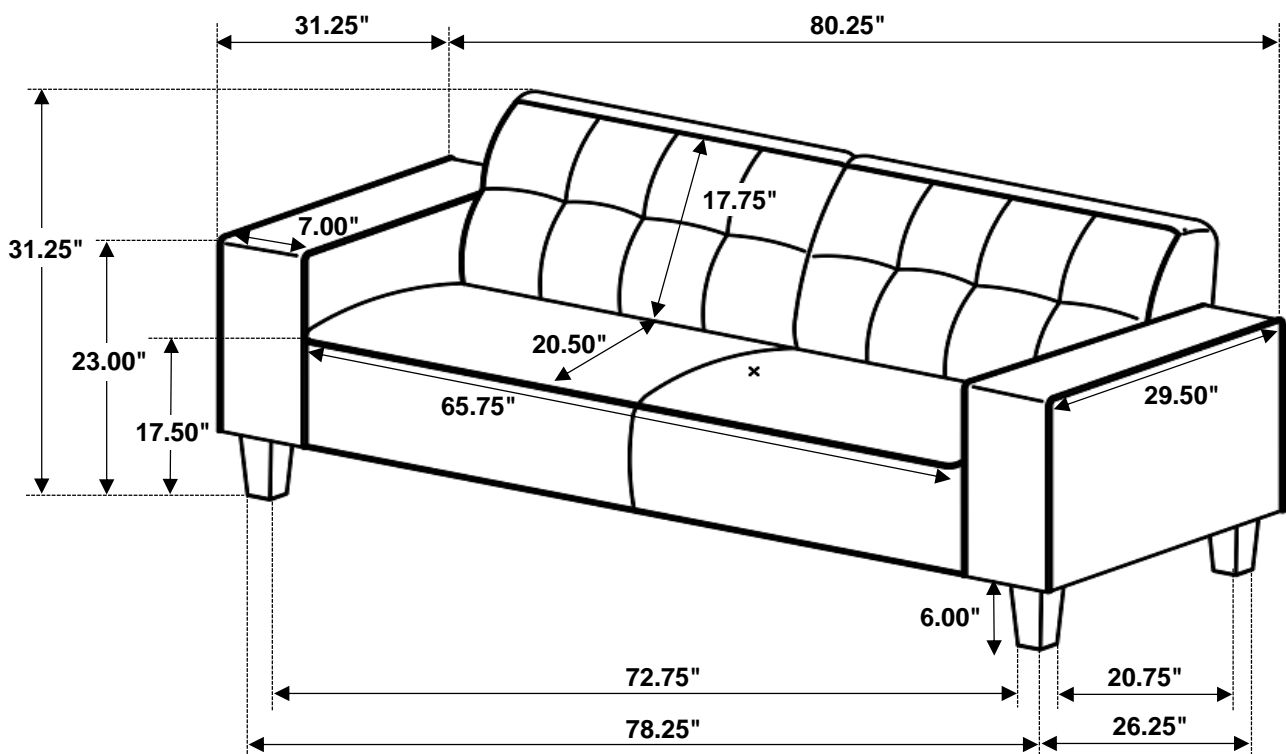
STEP 3



STEP 4
COMPLETE



ITEM: **509641(B1&B2)**



Note: Dimension tolerance $\pm 5\%$