



# *ASSEMBLY INSTRUCTIONS*

## *COASTER FINE FURNITURE*



*Fine Furniture for every stage of life*

**509648(B1 & B2)**  
***Loveseat***

# ITEM: 509648(B1 & B2)



## ASSEMBLY INSTRUCTIONS

### ASSEMBLY TIPS:

1. Remove hardware from box and sort by size.
2. Please check to see that all hardware and parts are present prior to start of assembly.
3. Please follow attached instructions in the same sequence as numbered to assure fast & easy assembly.



### WARNING!

1. Don't attempt to repair or modify parts that are broken or defective. Please contact the store immediately.
2. This product is for home use only and not intended for commercial establishments.



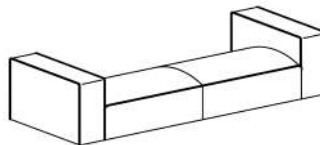
ASSEMBLY TIME

15 MINUTES

## PARTS IDENTIFICATION

### B1 (BOX 1)

A LOVESEAT BASE



1PC

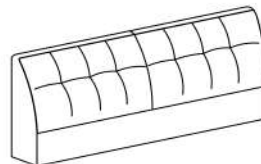
### B2 (BOX 2)

B LEG



4PCS

C BACKREST



1PC

# ITEM: 509648(B1&B2)



## ASSEMBLY INSTRUCTIONS

### ASSEMBLY TIPS:

1. Remove hardware from box and sort by size.
2. Please check to see that all hardware and parts are present prior to start of assembly.
3. Please follow attached instructions in the same sequence as numbered to assure fast & easy assembly.




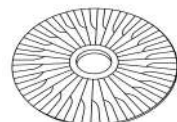


### WARNING!

1. Don't attempt to repair or modify parts that are broken or defective. Please contact the store immediately.
2. This product is for home use only and not intended for commercial establishments.

## HARDWARE IDENTIFICATION

### Z-B2 (BOX 2) - HARDWARE PACKED IS LOCATED IN 509648 (B2)

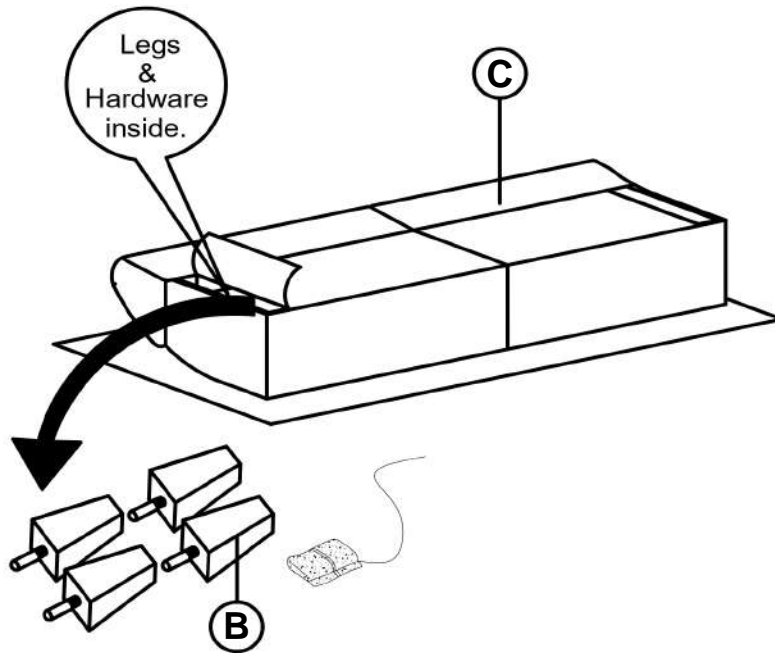
|   |   |  |      |
|---|---|--|------|
| 1 | <b>ALLEN WRENCH</b><br>(M4 x 95mm - BLK)  |    | 1PC  |
| 2 | <b>BOLT</b><br>(M6 x 50mm - BLK)          |  | 4PCS |
| 3 | <b>FLAT WASHER</b><br>(5/16" x 2mm - BLK) |   | 4PCS |
| 4 | <b>PLASTIC WASHER</b><br>(47 x 3mm - BLK) |  | 4PCS |

# ITEM: 509648(B1&B2)

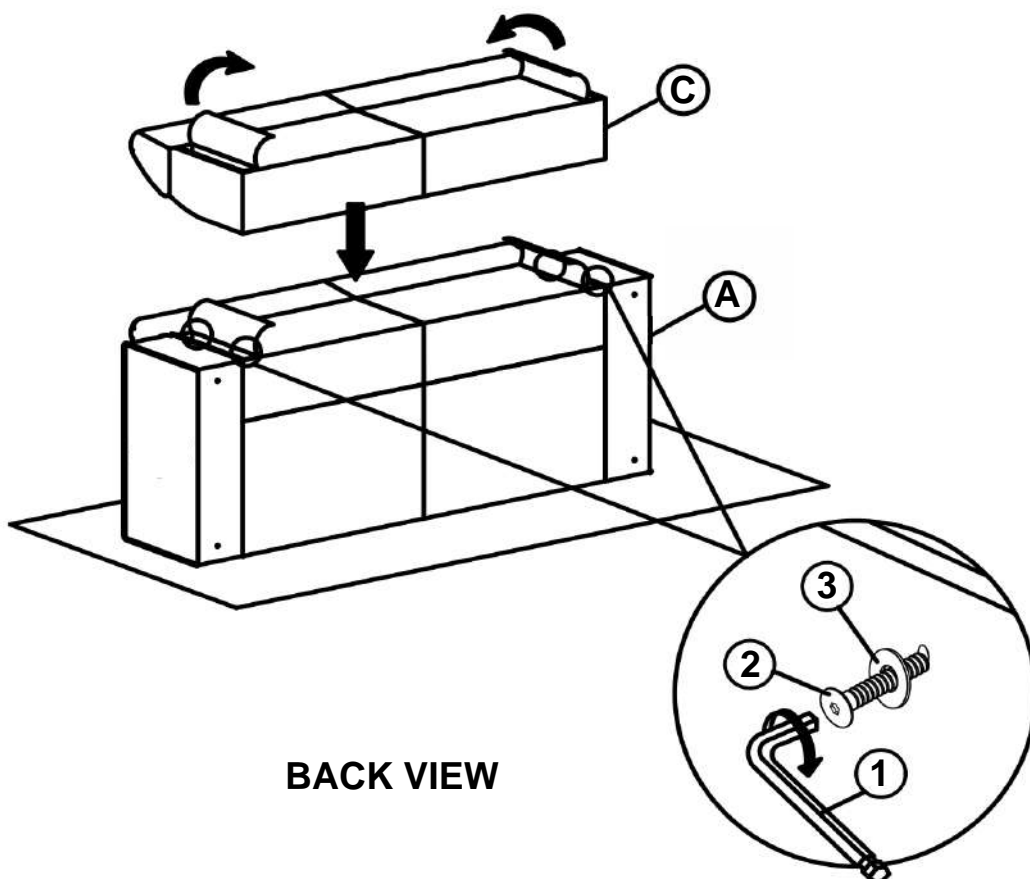
## ASSEMBLY INSTRUCTIONS



### STEP 1



### STEP 2



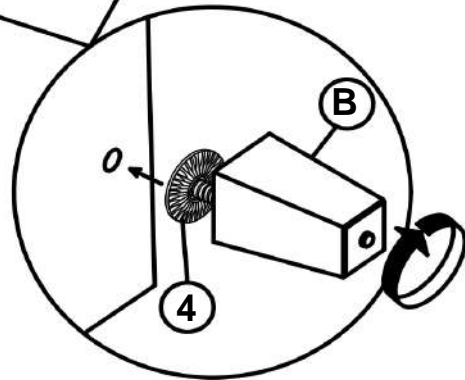
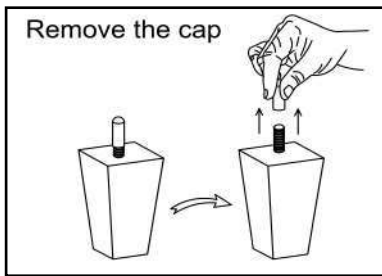
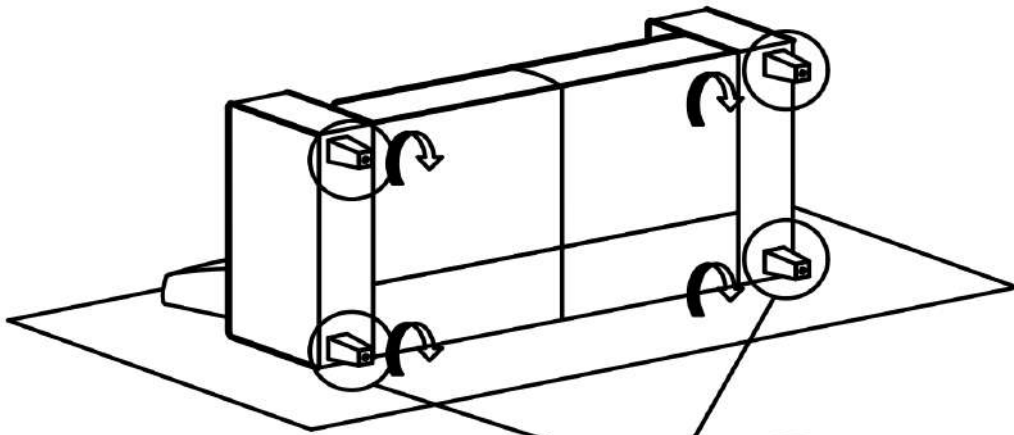
BACK VIEW

ITEM: **509648(B1&B2)**

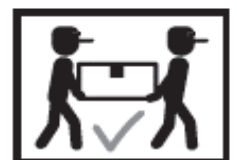
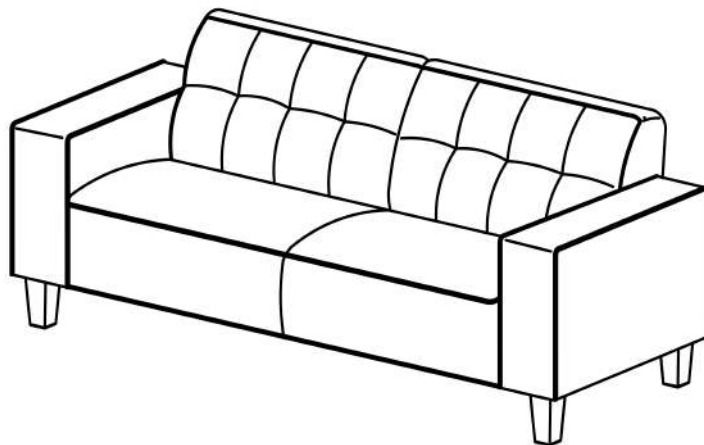
**ASSEMBLY INSTRUCTIONS**



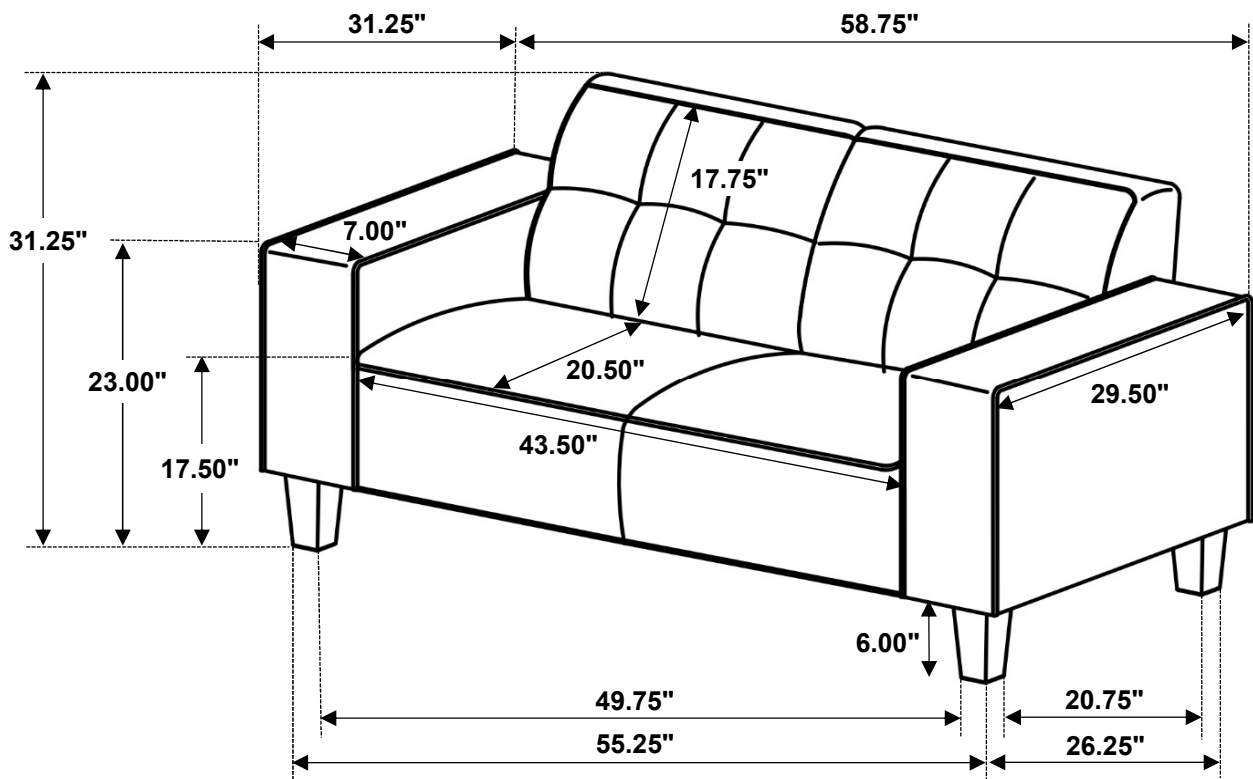
**STEP 3**



**STEP 4**  
**COMPLETE**



ITEM: **509648(B1&B2)**



Note: Dimension tolerance  $\pm 5\%$