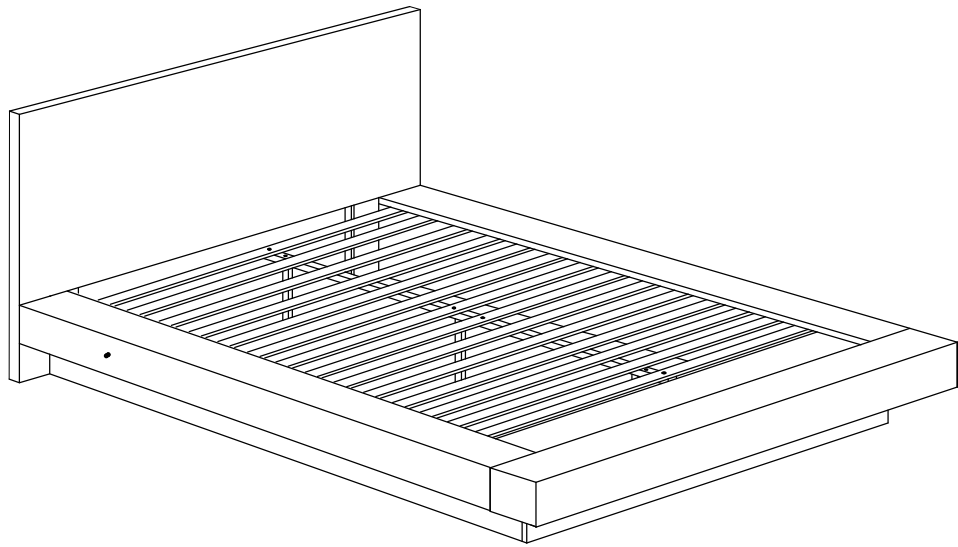


# ASSEMBLY INSTRUCTIONS COASTER FINE FURNITURE



*Fine Furniture for every stage of life*

## 202990KE (B1-B3) *Eastern King Bed*

REVISION 0: 06/19/2012  
REVISION 1: 09/21/2012  
REVISION 2: 12/03/2012  
REVISION 3: 01/21/2013  
REVISION 4: 11/15/2016  
REVISION 5: 09/11/2018  
REVISION 6: 12/04/2019  
REVISION 7: 08/04/2020  
REVISION 8: 11/01/2023  
REVISION 9: 03/12/2024

# ITEM:202990KE (B1-B3)



## ASSEMBLY INSTRUCTIONS

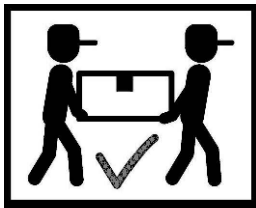
### ASSEMBLY TIPS:

1. Remove hardware from box and sort by size.
2. Please check to see that all hardware and parts are present prior to start of assembly.
3. Please follow attached instructions in the same sequence as numbered to assure fast & easy assembly.



### WARNING!

1. Don't attempt to repair or modify parts that are broken or defective. Please contact the store immediately.
2. This product is for home use only and not intended for commercial establishments.



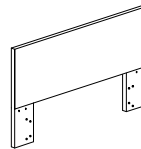
ASSEMBLY TIME

35 MINUTES

## PARTS IDENTIFICATION

### B1 ( BOX 1 )

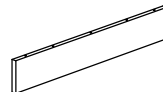
A HEADBOARD



1PC

### B2 ( BOX 2 )

B FOOTBOARD



1PC

C LEFT BED RAIL



1PC

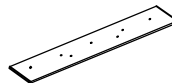
D RIGHT BED RAIL



1PC

### B3 ( BOX 3 )

E CONCEAL PANEL



1PC

F LEFT BED RAIL TOP



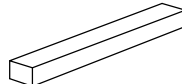
1PC

G RIGHT BED RAIL TOP



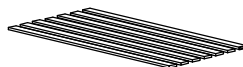
1PC

H FOOTBOARD TOP



1PC

I ROLL SLAT (7PCS)



2SETS

J CENTER RAIL



1PC

# ITEM: 202990KE (B1-B3)



## ASSEMBLY INSTRUCTIONS

### ASSEMBLY TIPS:

1. Remove hardware from box and sort by size.
2. Please check to see that all hardware and parts are present prior to start of assembly.
3. Please follow attached instructions in the same sequence as numbered to assure fast & easy assembly.



### WARNING!

1. Don't attempt to repair or modify parts that are broken or defective. Please contact the store immediately.
2. This product is for home use only and not intended for commercial establishments.

**K** CENTER RAIL SUPPORT WITH LEVELER  **3PCS**

**L** BOTTOM TRESTLE BAR  **3PCS**

**MF1** LIGHT SET WITH SCREW  **1SET**

**A** 202990KE (B1) FROM BOX 1 HEADBOARD  **1PC**

**B** 202990KE (B2) FROM BOX 2 FOOTBOARD  **1PC**

# ITEM: 202990KE (B1-B3)



## ASSEMBLY INSTRUCTIONS

### ASSEMBLY TIPS:

1. Remove hardware from box and sort by size.
2. Please check to see that all hardware and parts are present prior to start of assembly.
3. Please follow attached instructions in the same sequence as numbered to assure fast & easy assembly.


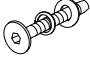
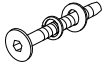







### WARNING!

1. Don't attempt to repair or modify parts that are broken or defective. Please contact the store immediately.
2. This product is for home use only and not intended for commercial establishments.

## HARDWARE IDENTIFICATION

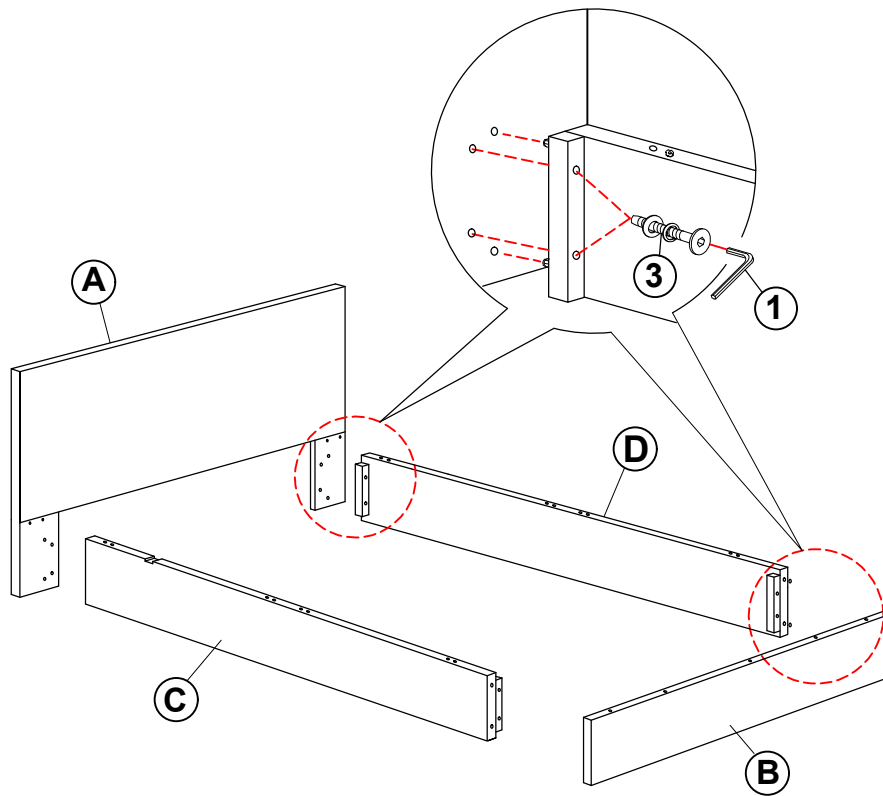
### Z-B1 (BOX 1) - HARDWARE PACK IS LOCATED IN 202990KE (B1)

1	<b>ALLEN WRENCH</b> (M4 - BLK)		1PC
2	<b>SHORT BOLT WITH WASHER</b> (M6 x 30mm - BLK)		10PCS
3	<b>LONG BOLT WITH WASHER</b> (M6 x 45mm - BLK)		10PCS
4	<b>LONG BOLT</b> (M6 x 45mm - BLK)		16PCS
5	<b>WOOD DOWEL</b> (M8 x 30mm)		19PCS
6	<b>ZIG ZAG SPRING CLICK</b> (1.5 x 20.5 x 24 - BRN)		5PCS
7	<b>SHORT FLAT HEAD SCREW</b> (M4 x 16mm - BLK)		22PCS
8	<b>BARREL NUT</b> (M6 x 13mm - BLK)		10PCS

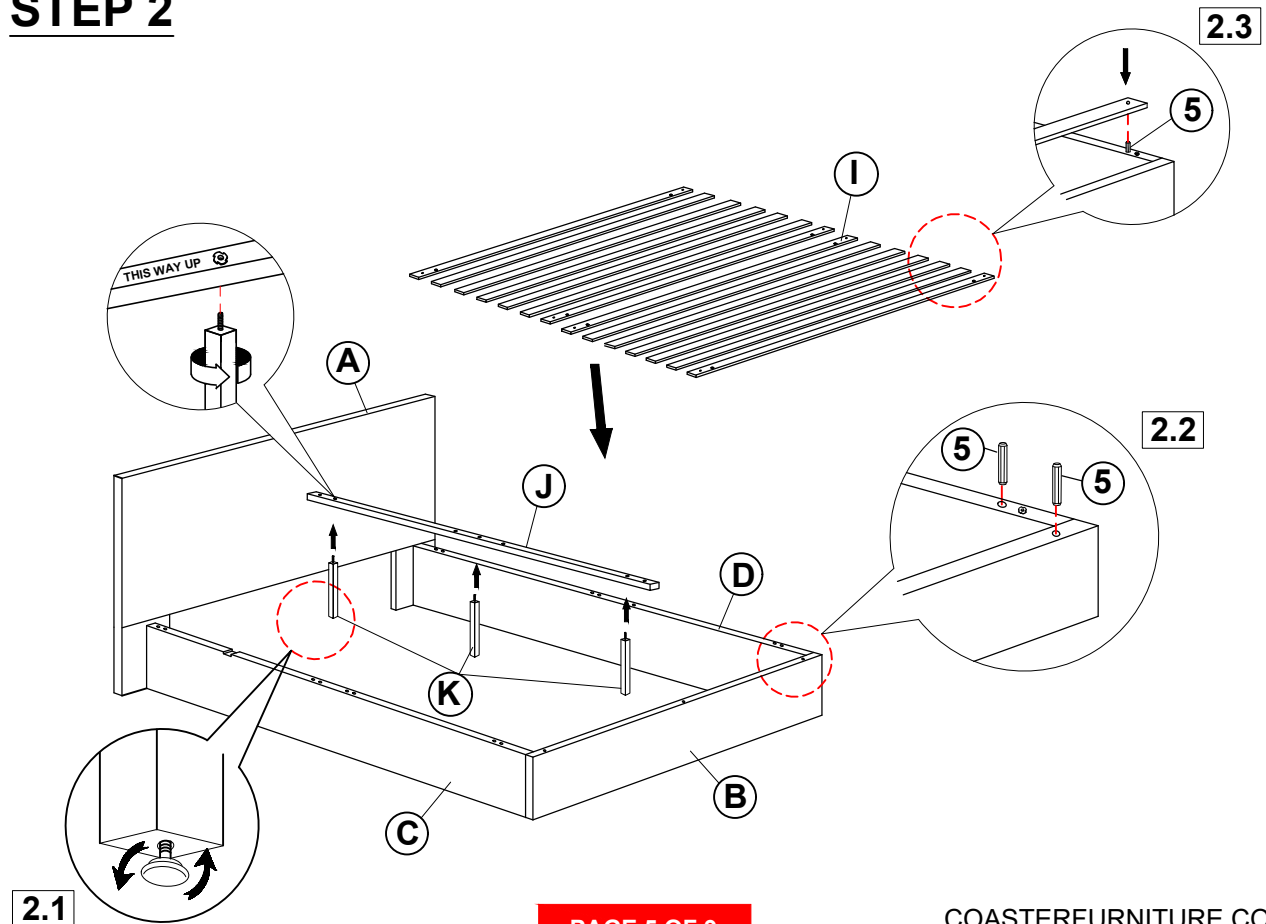
### NOTE:

Phillips head screw driver is required in the assembly process; however, manufacturer does not provide this item.

ITEM: **202990KE (B1-B3)**  
**ASSEMBLY INSTRUCTIONS**  
**STEP 1**



**STEP 2**

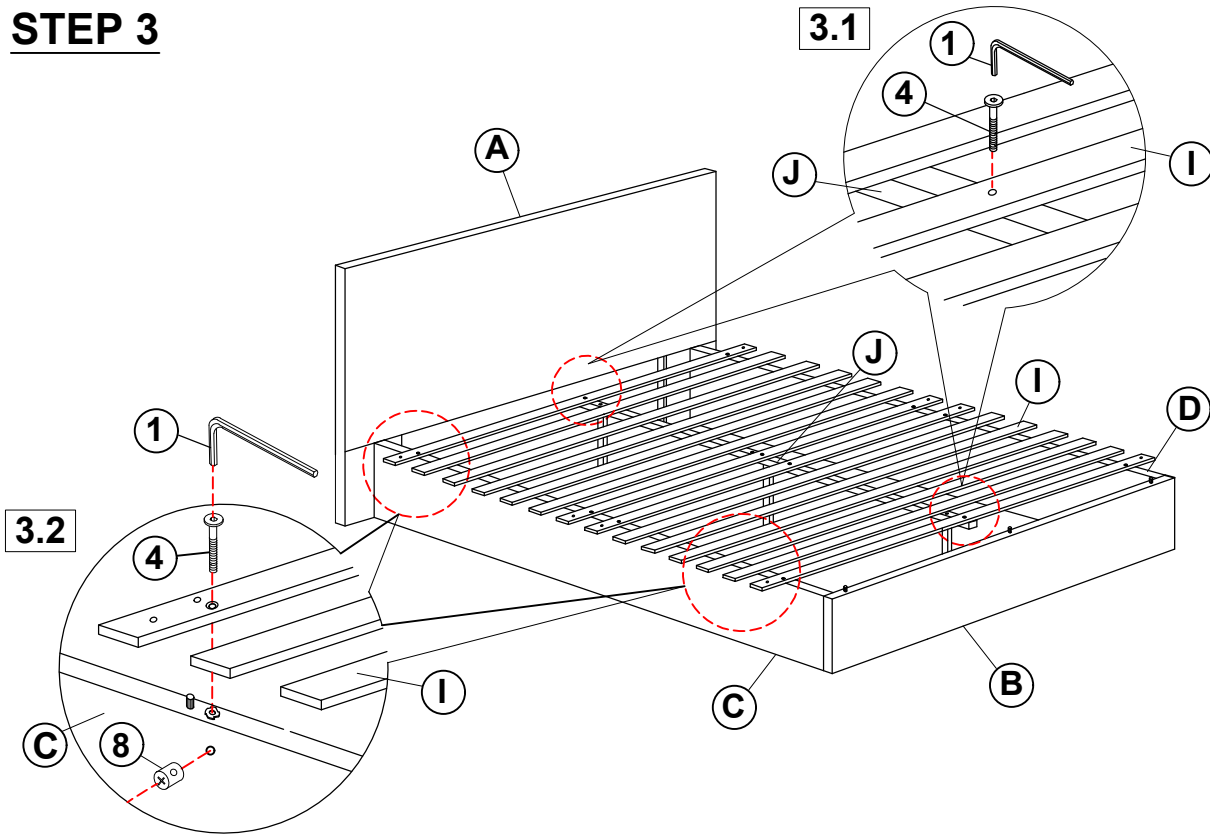


# ITEM: 202990KE (B1-B3)

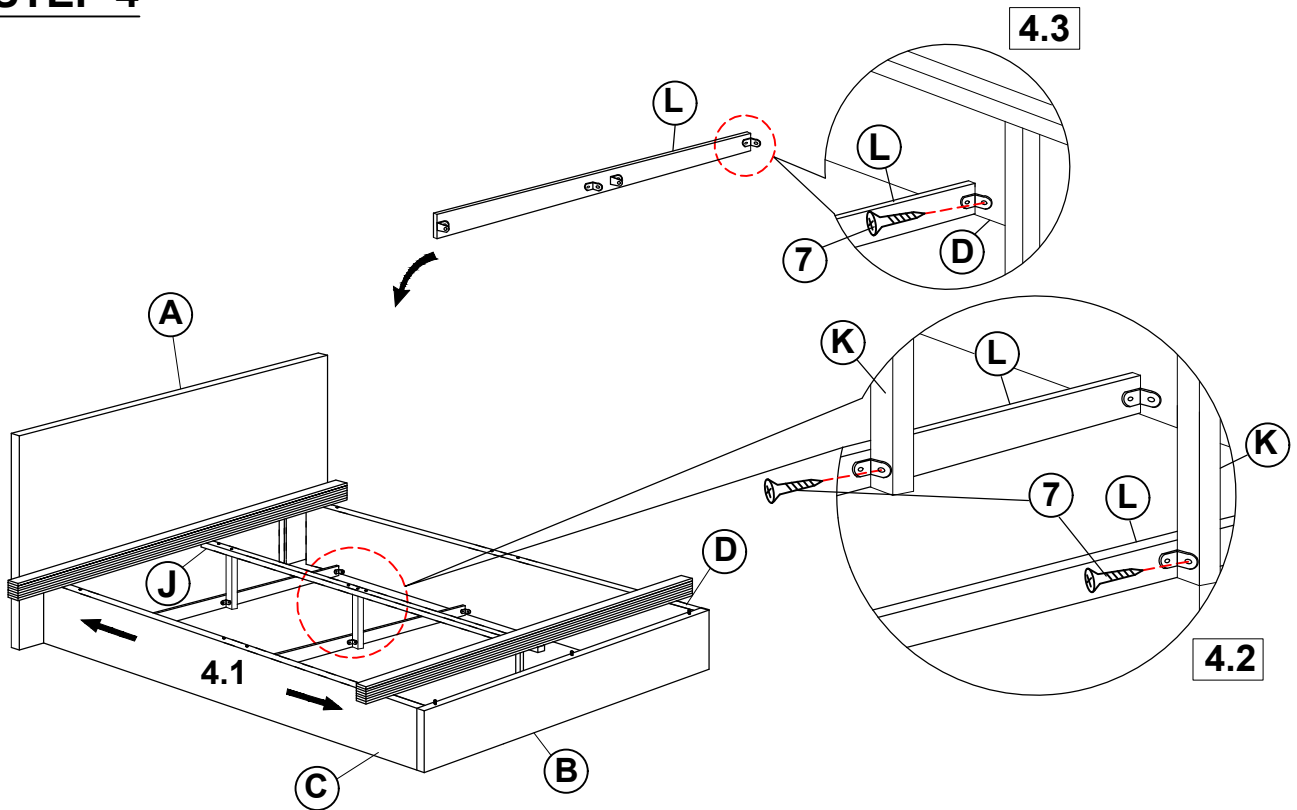
## ASSEMBLY INSTRUCTIONS



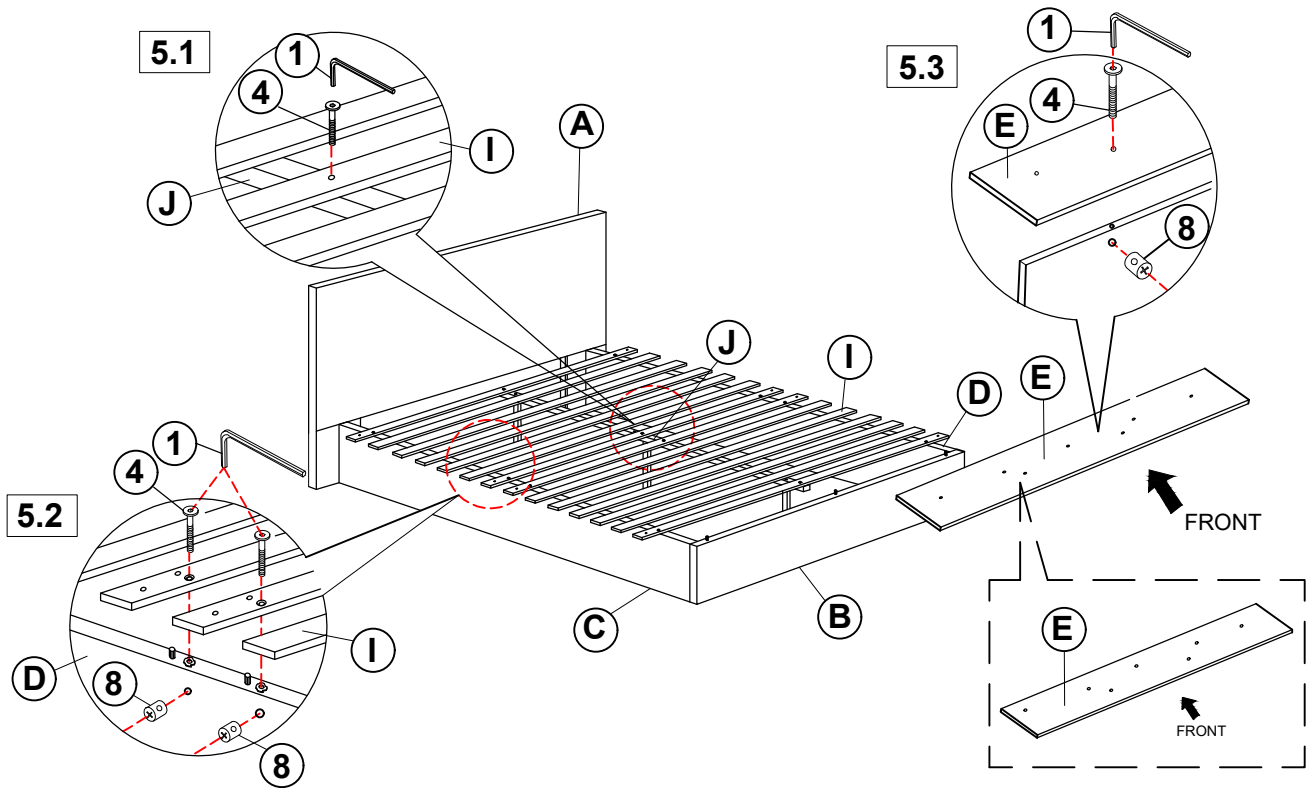
### STEP 3



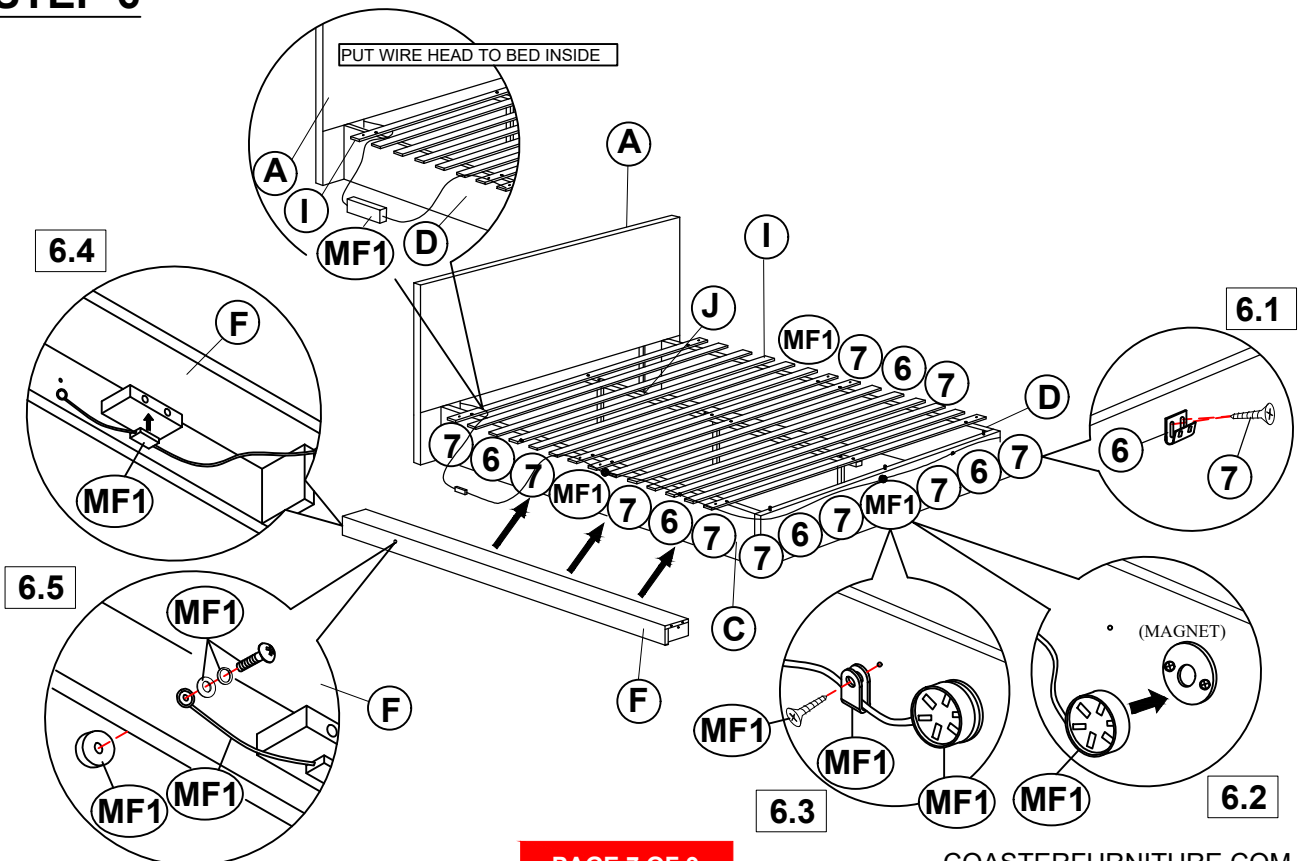
### STEP 4



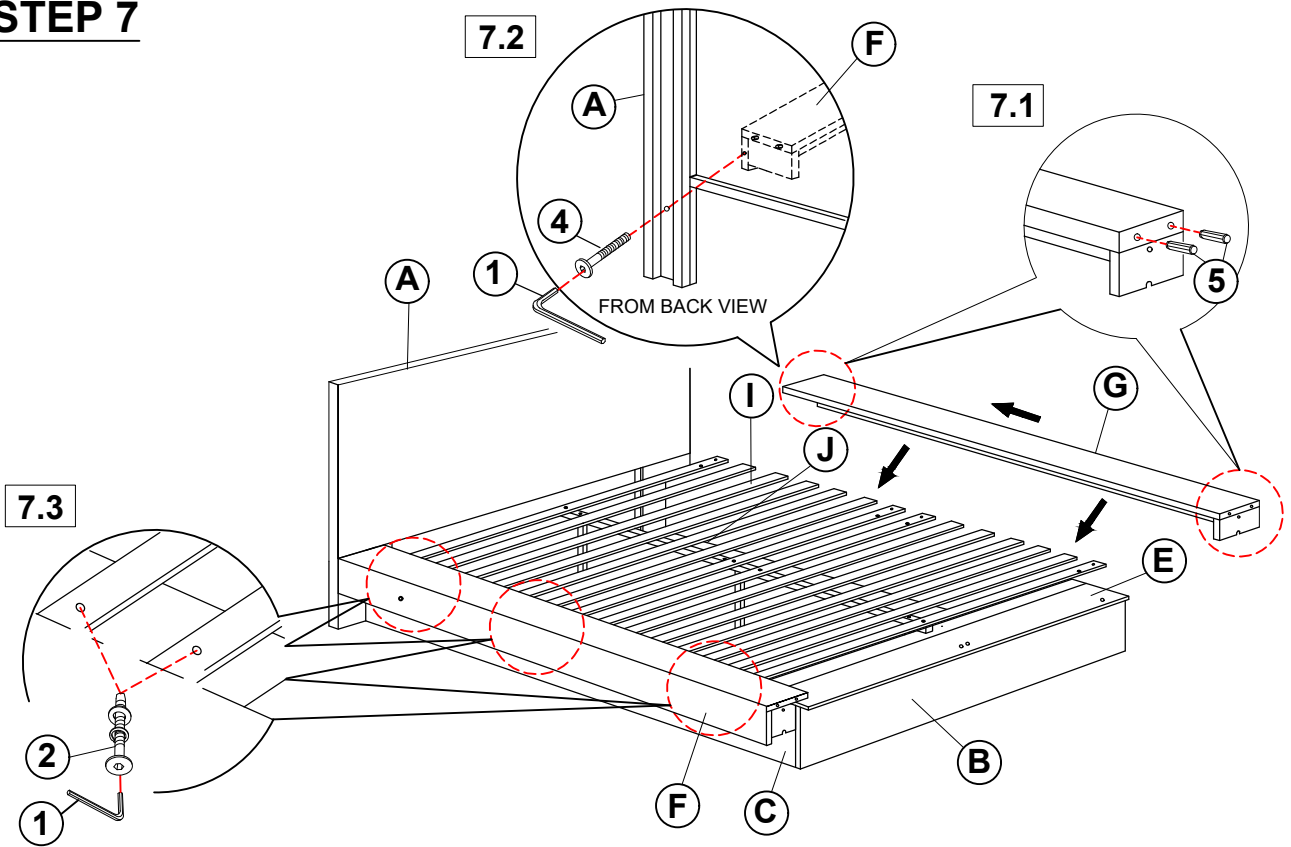
ITEM: **202990KE (B1-B3)**  
**ASSEMBLY INSTRUCTIONS**  
**STEP 5**



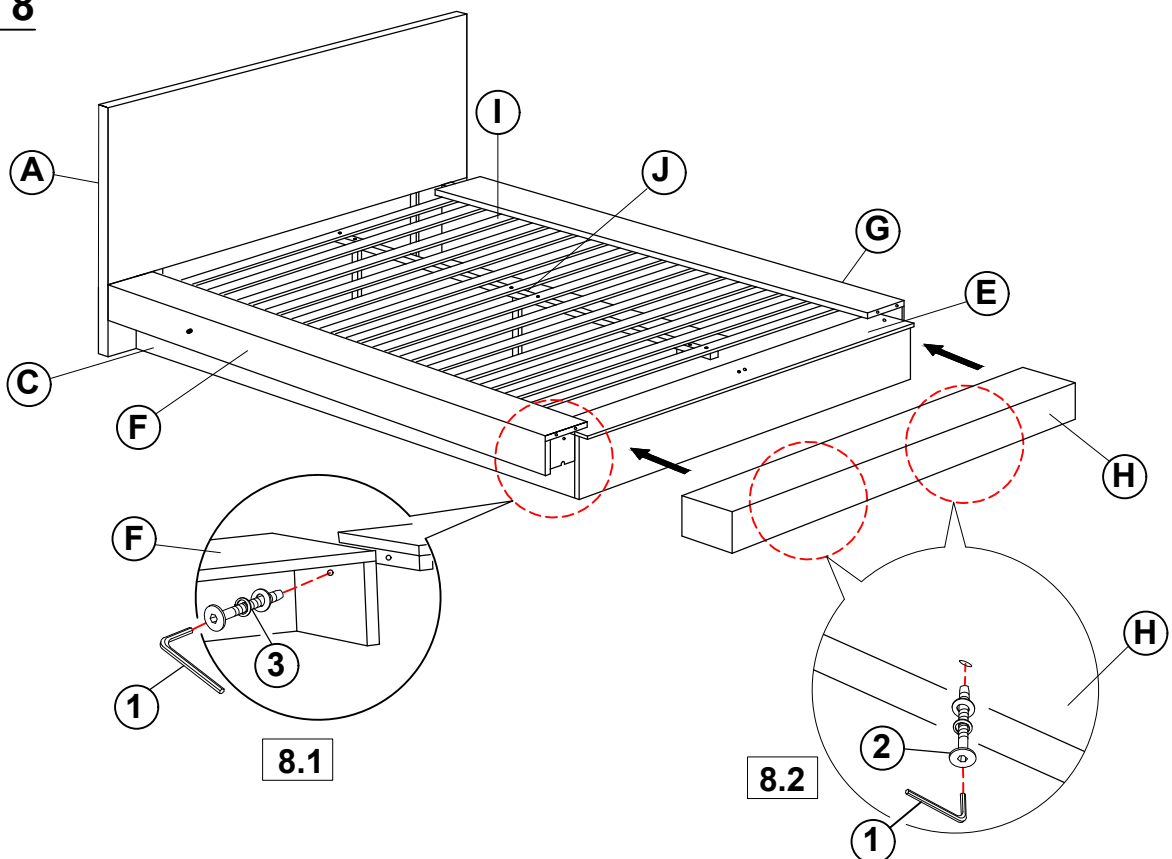
**STEP 6**



ITEM: **202990KE (B1-B3)**  
**ASSEMBLY INSTRUCTIONS**  
**STEP 7**



**STEP 8**





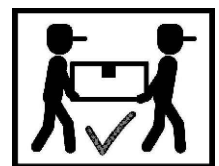
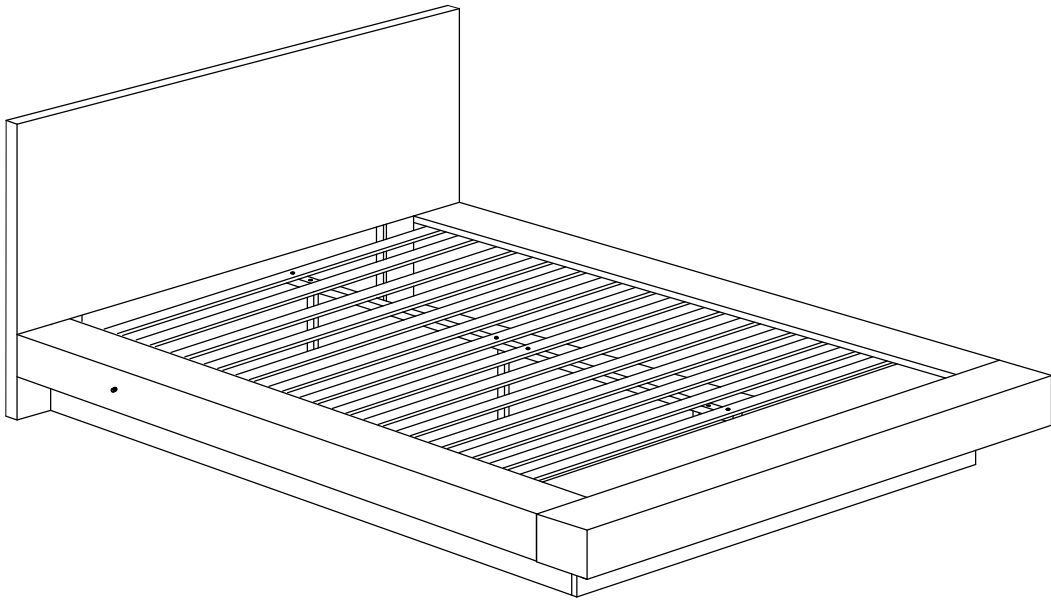
ITEM: **202990KE (B1-B3)**



**ASSEMBLY INSTRUCTIONS**

**STEP 9**

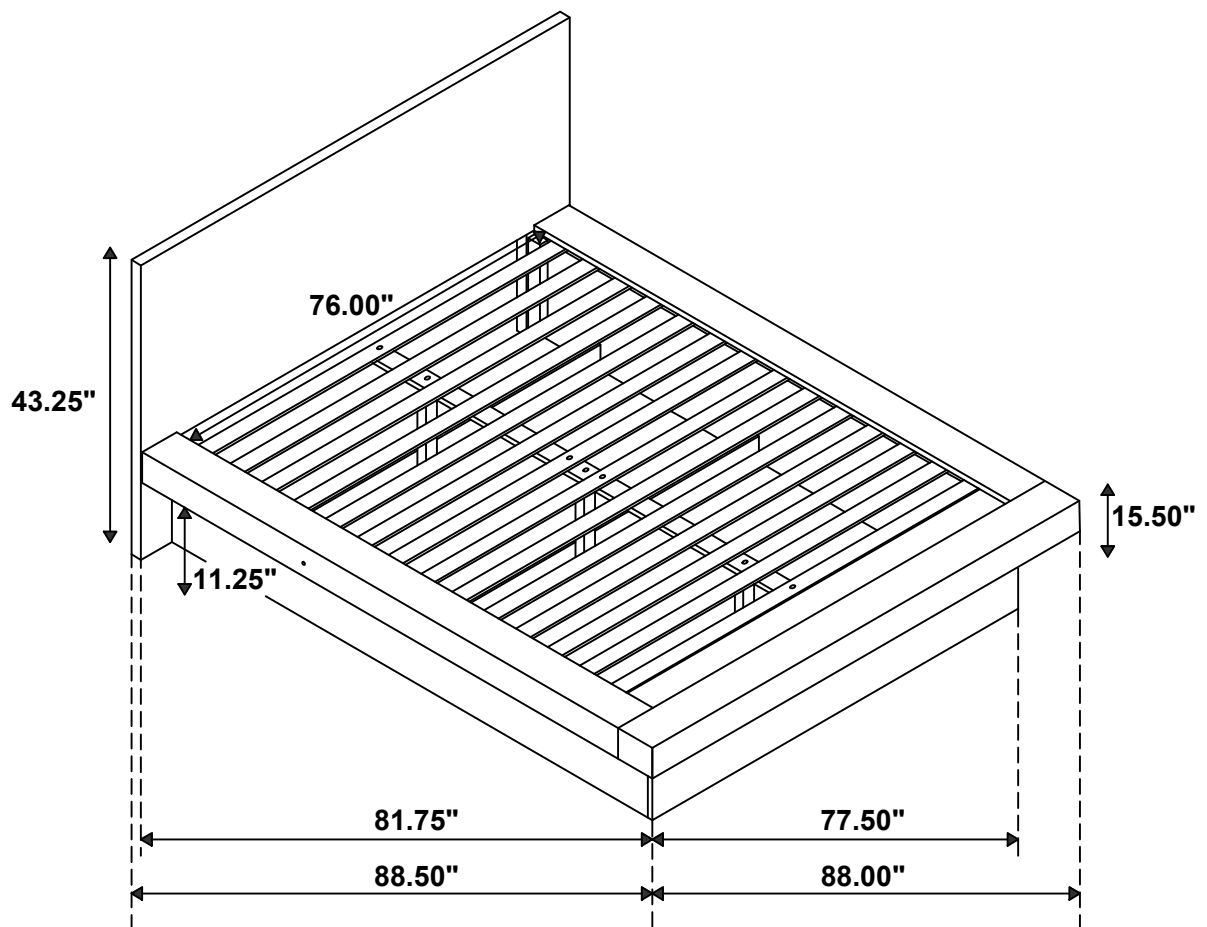
**COMPLETE**



ITEM:202990KE (B1-B3)



Inner Size : 76.00"W x 81.00"D



Note : Dimension tolerance  $\pm 5\%$