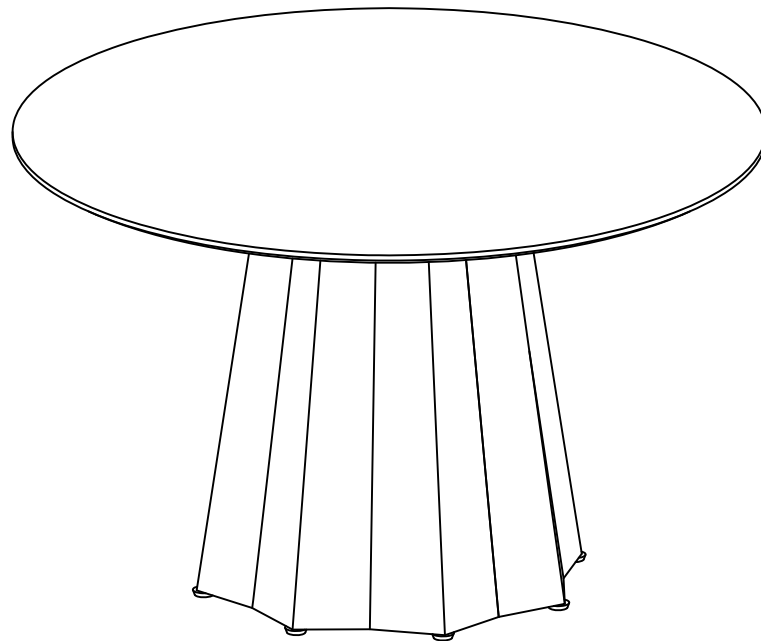


ASSEMBLY INSTRUCTIONS
COASTER FINE FURNITURE



Fine Furniture for every stage of life

105780
DINING TABLE

ITEM: **105780**



ASSEMBLY INSTRUCTIONS

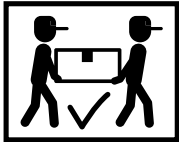
ASSEMBLY TIPS:

1. Remove hardware from box and sort by size.
2. Please check to see that all hardware and parts are present prior to start of assembly.
3. Please follow attached instructions in the same sequence as numbered to assure fast & easy assembly.



WARNING !

1. Don't attempt to repair or modify parts that are broken or defective. Please contact the store immediately.
2. This product is for home use only and not intended for commercial establishment.



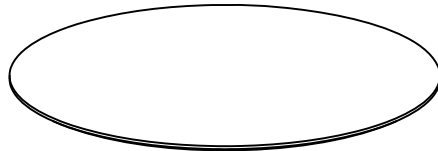
ASSEMBLY TIME

10 MINUTE

PARTS IDENTIFICATION

B1 (BOX 1)

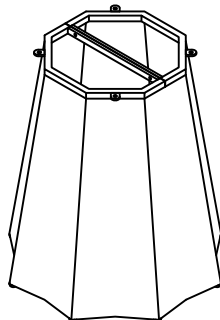
A TABLE TOP



1PC

B2 (BOX 2)

B BASE



1PC

HARDWARE IDENTIFICATION

Z-B1 (BOX 1) - HARDWARE PACK IS LOATED IN 105780 (B1)

1 BOLT
(1/4"x5/8" - BLK)



4PCS

3

WASHER
(ϕ 16mm - BLK)



4PCS

2 WASHER



4PCS

4

ALLEN KEY
(4x22X60mm - BLK)



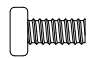



1PC

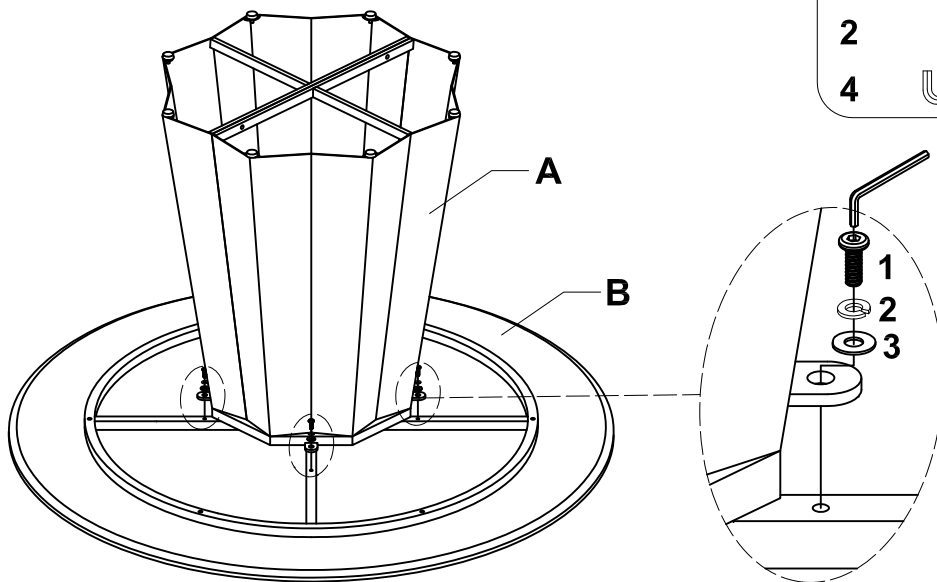
ITEM: **105780**
ASSEMBLY INSTRUCTIONS
STEP 1:



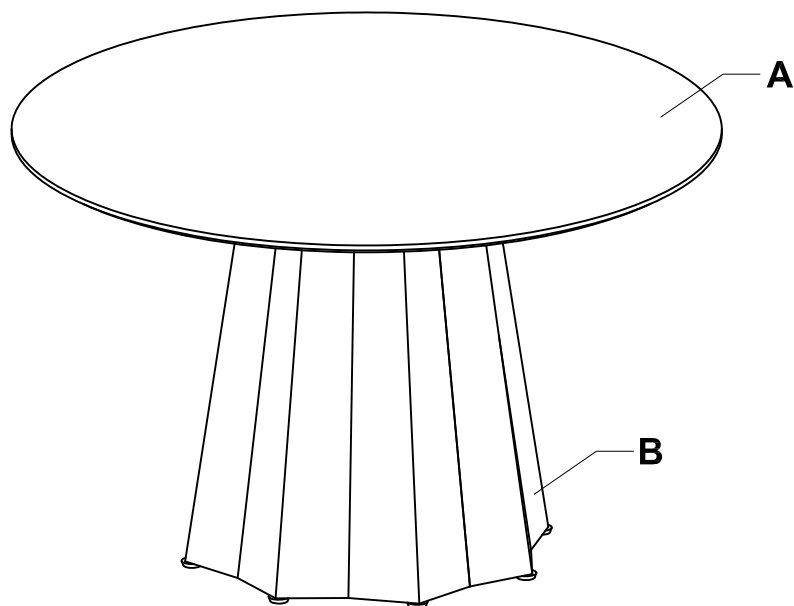
NOTE:

Please assemble the parts on the non-abrasive floor to avoid scratches of the table top

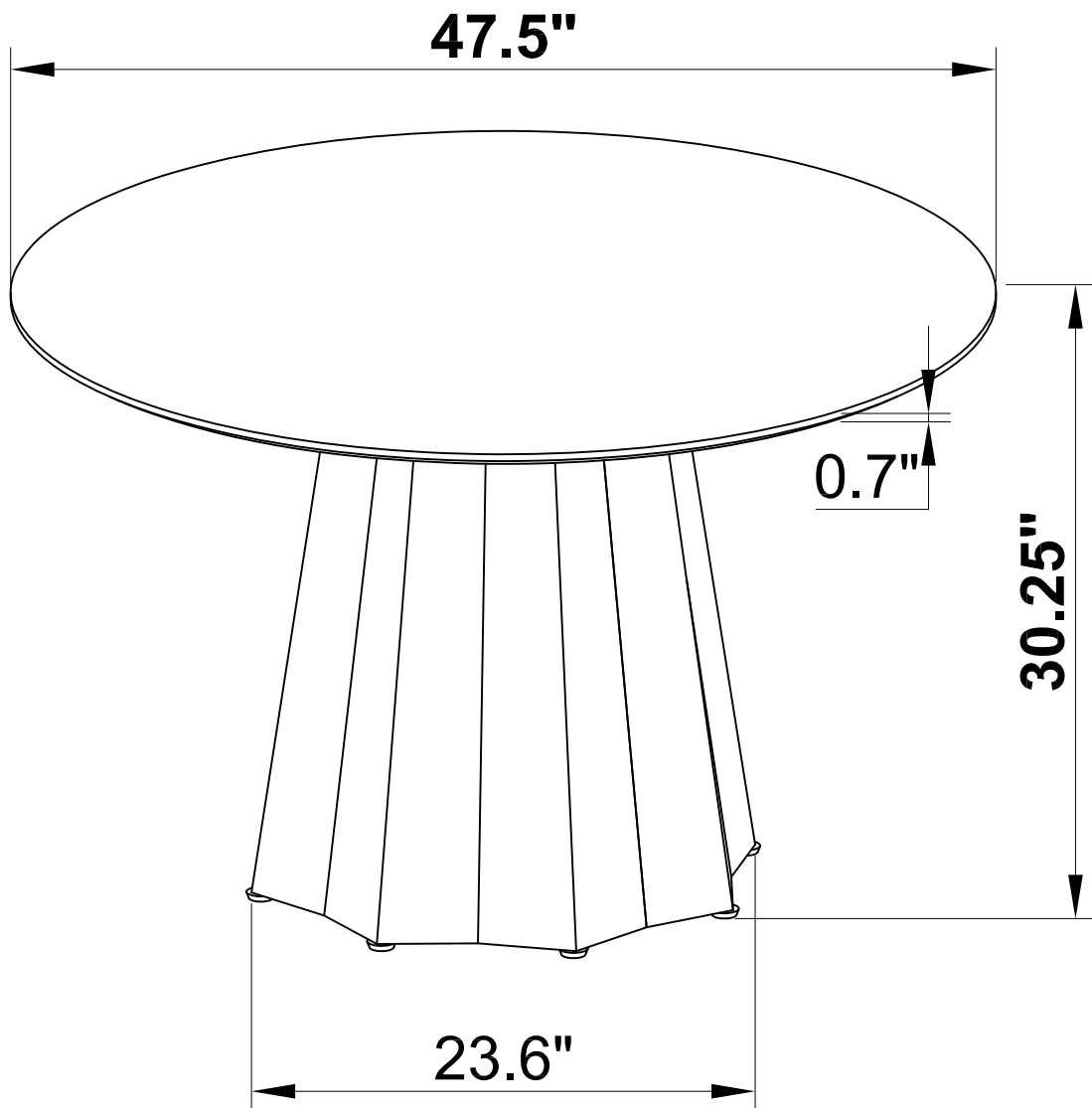
1		4PCS
3		4PCS
2		4PCS
4		



STEP 2:



ITEM: **105780**



Note : Dimension tolerance $\pm 5\%$