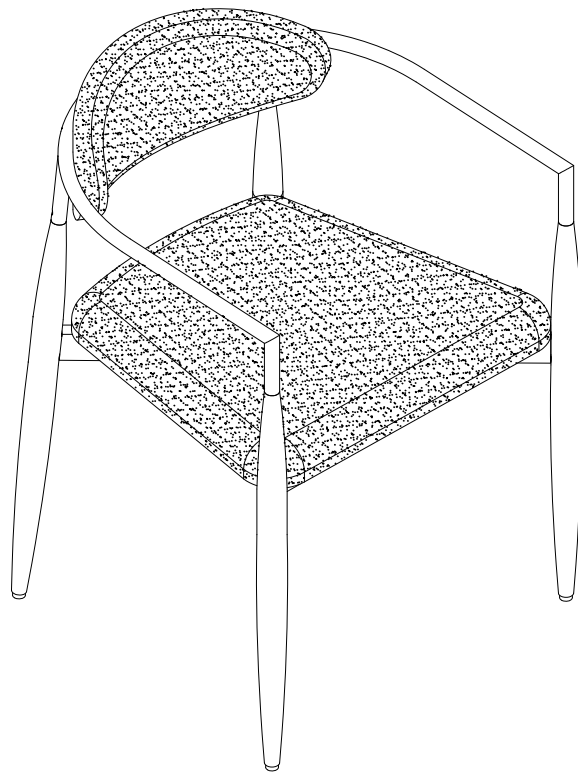


ASSEMBLY INSTRUCTIONS
COASTER FINE FURNITURE



Fine Furniture for every stage of life

182682/182692
ARM CHAIR

ITEM: **182682/182692**



ASSEMBLY INSTRUCTIONS

ASSEMBLY TIPS:

1. Remove hardware from box and sort by size.
2. Please check to see that all hardware and parts are present prior to start of assembly.
3. Please follow attached instructions in the same sequence as numbered to assure fast & easy assembly.



WARNING !

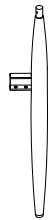
1. Don't attempt to repair or modify parts that are broken or defective. Please contact the store immediately.
2. This product is for home use only and not intended for commercial establishment.

ASSEMBLY TIME

15 MINUTE

PARTS IDENTIFICATION

A LEFT LEG



1PC

B RIGHT LEG



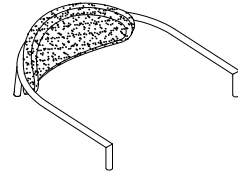
1PC

C BACK LEG



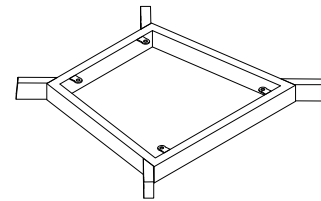
2PCS

D ARM & BACK REST



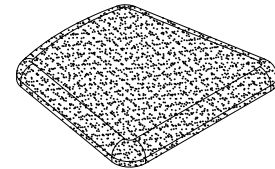
1PC

E SEAT FRAME



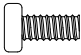
1PC

F SEAT CUSHION



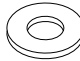
1PC


HARDWARE IDENTIFICATION

1 BOLT
(1/4"x1/2" - BLK)  8PCS

2 BOLT
(5/32" x 3/8" - GLD)  4PCS

3 SCREW
(M4 x 15mm - BLK)  4PCS

4 WASHER
(ϕ 16mm - BLK)  8PCS

5 WASHER
(ϕ 12mm - BLK)  4PCS

6 ALLEN KEY
(4x22X60mm - BLK)  1PC

NOTE:

Quantities shown are for one chair.

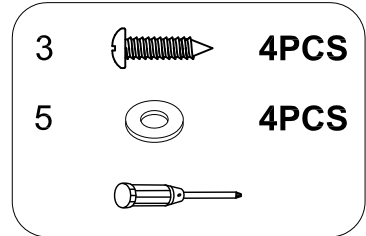
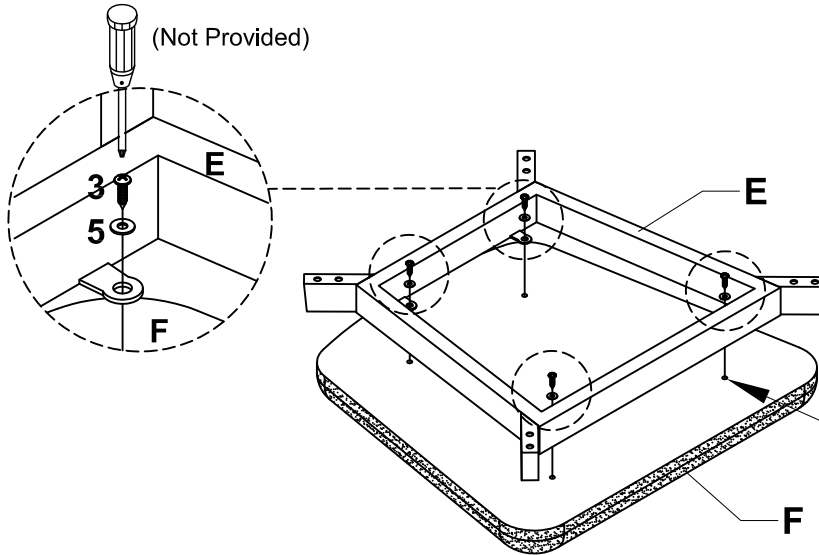
Phillips head screw driver is required in the assembly process; however, manufacturer does not provide this item.

ITEM: **182682/182692**
ASSEMBLY INSTRUCTIONS
STEP 1:



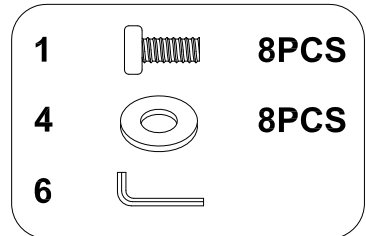
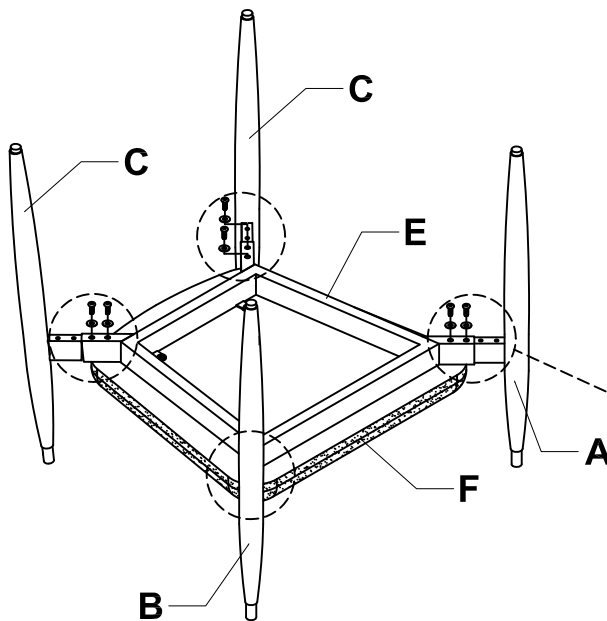
ASSEMBLY

Do not fully tighten all bolts until assembly is complete.
 This will help all parts to assemble properly.



Note:
 Align Screw (3) with the white marks on Seat Cushion (F).

STEP 2:



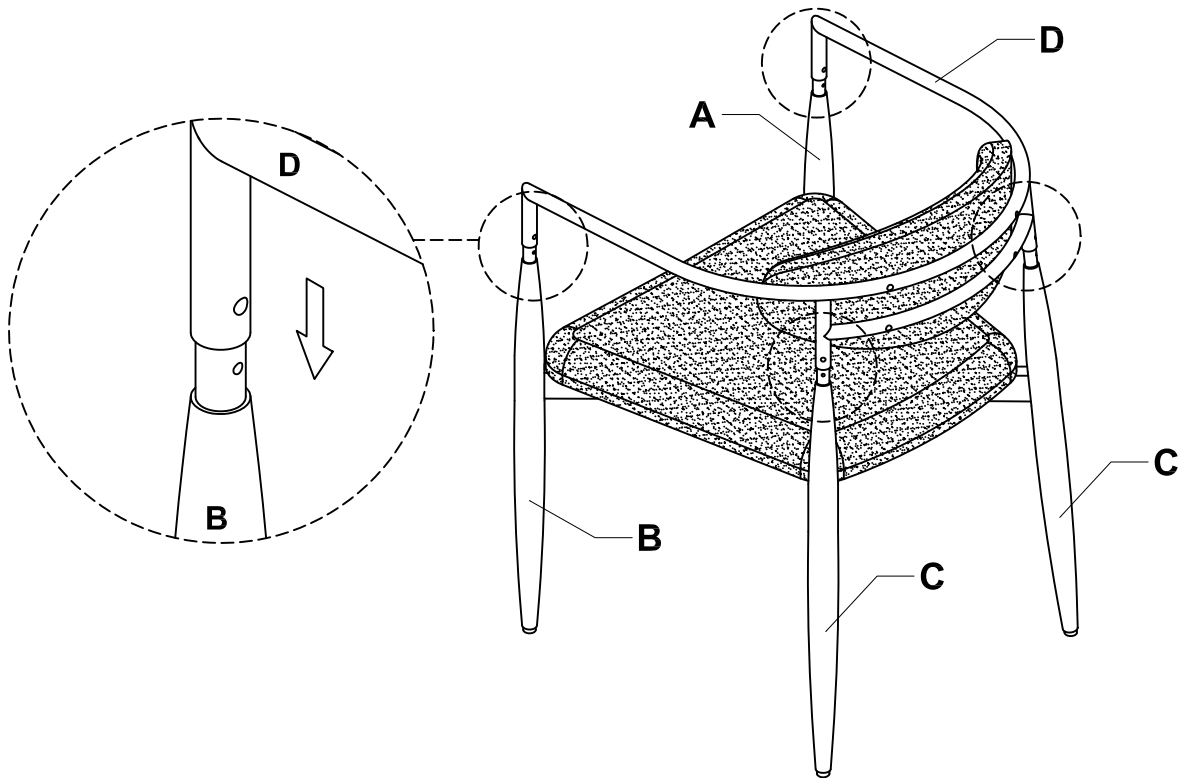
Take the Allen Key and turn the bolts until the legs are secured. **DO NOT TIGHTEN THE BOLTS COMPLETELY.** Stop when you feel you are adding force to tighten the bolt.

ITEM: **182682/182692**

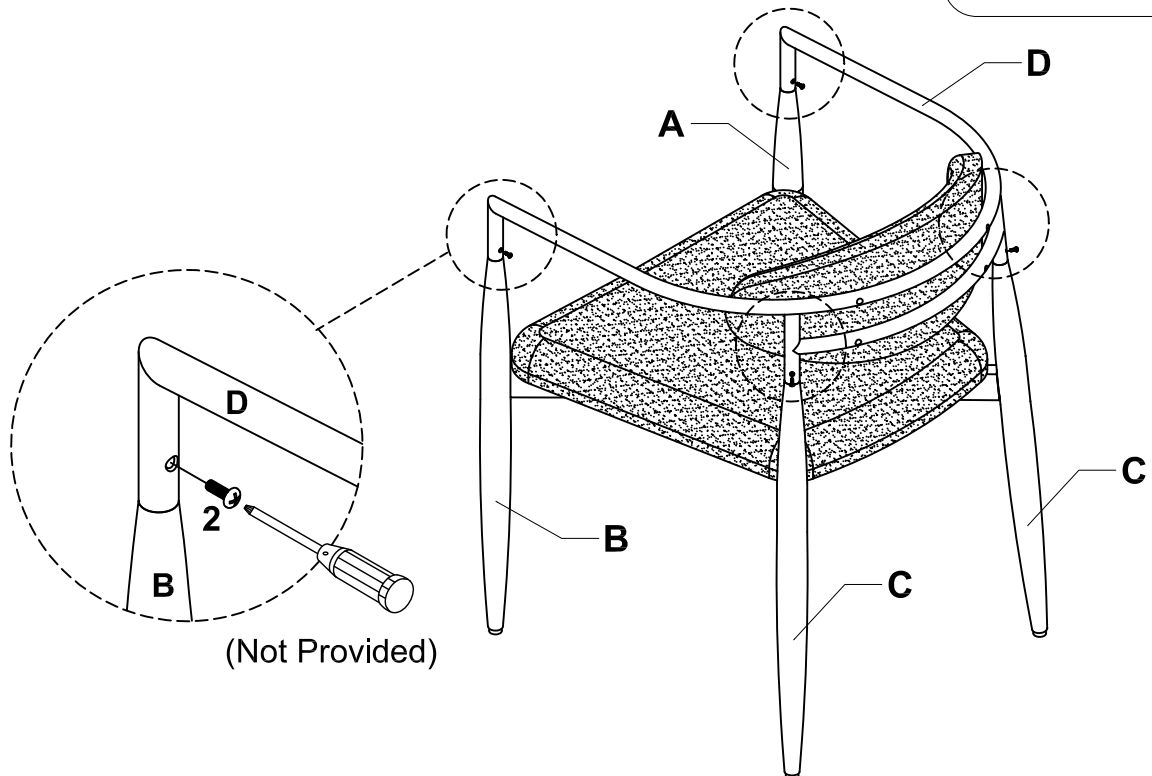
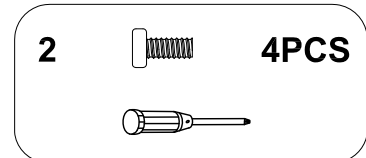


ASSEMBLY INSTRUCTIONS

STEP 3:

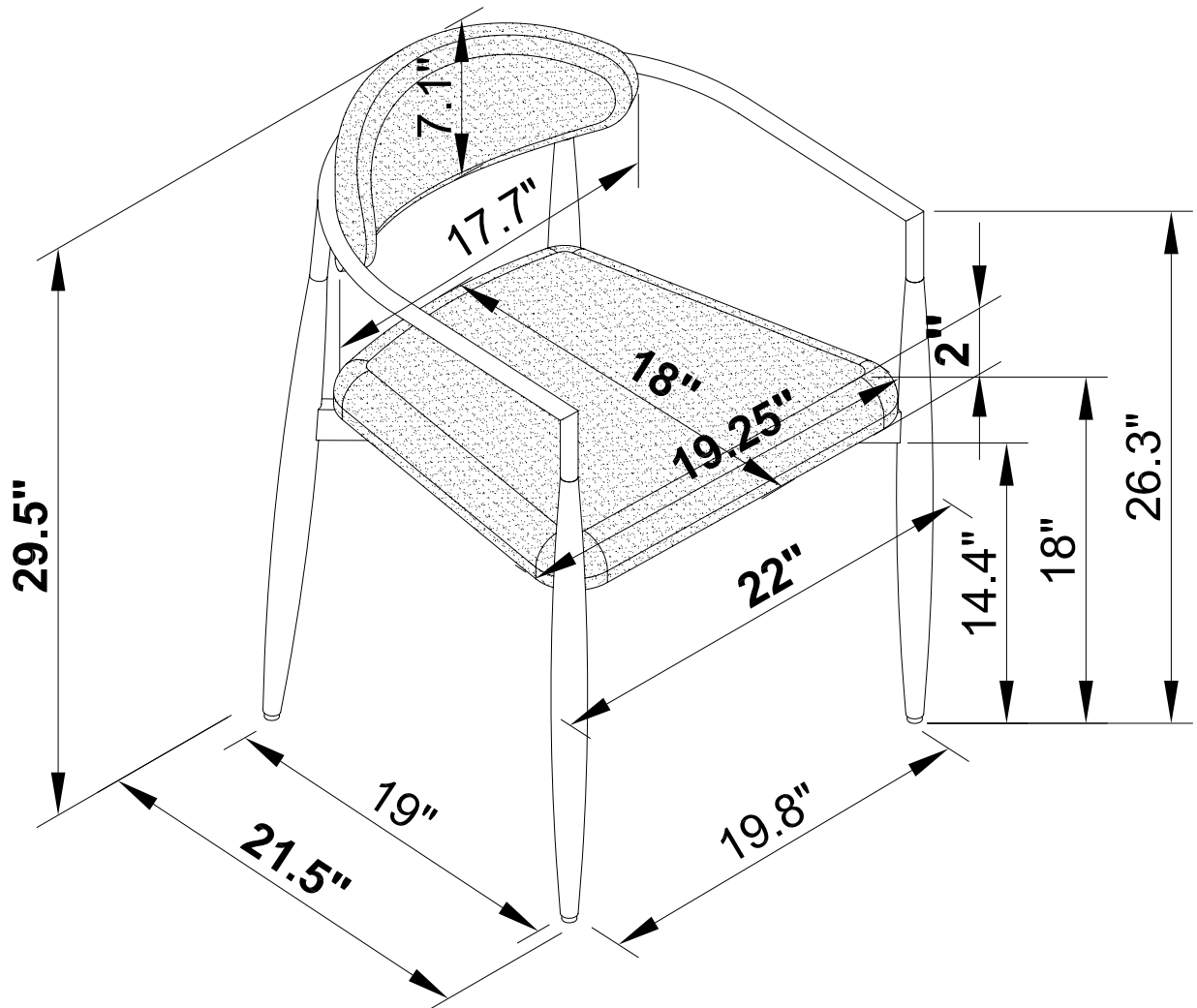


STEP 4:



(Not Provided)

ITEM: 182682/182692



Note : Dimension tolerance $\pm 5\%$