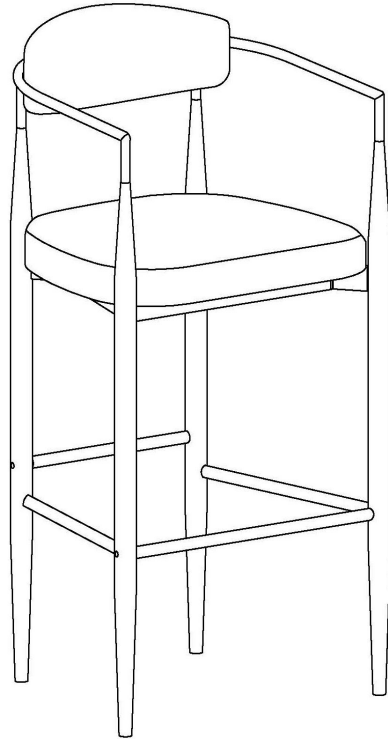




# ***ASSEMBLY INSTRUCTIONS***

## ***COASTER FINE FURNITURE***



*Fine Furniture for every stage of life*

**121189**

**BAR HEIGHT STOOL**

REVISION 0: 12/18/2023

REVISION 1: 01/26/2024

# ITEM:121189



## ASSEMBLY INSTRUCTIONS

### ASSEMBLY TIPS:

1. Remove hardware from box and sort by size.
2. Please check to see that all hardware and parts are present prior to start of assembly.
3. Please follow attached instructions in the same sequence as numbered to assure fast & easy assembly.



### WARNING

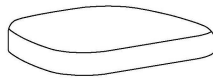
1. Don't attempt to repair or modify parts that are broken or defective. Please contact the store immediately.
2. This product is for home use only and not intend for commercial establishments.

ASSEMBLY TIME

20 MINUTES

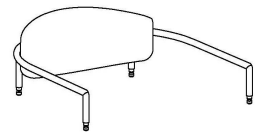
## PARTS IDENTIFICATION

A SEAT



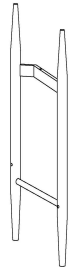
1PC

B BACKREST



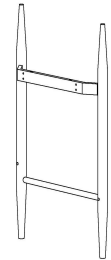
1PC

C LEFT METAL LEG FRAME



1PC

D RIGHT METAL LEG FRAME



1PC

E BACK UPPER RAIL



1PC

F FRONT UPPER RAIL



1PC

G BACK BOTTOM RAIL



1PC

H FOOTREST



1PC

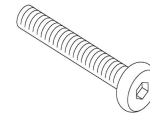
## HARDWARE IDENTIFICATION

1 BOLT



4PCS

2 BOLT



8PCS

5/32" x 5/32"

1/4" x 2-1/8"

3 BOLT



8PCS

4 SPRING WASHER



12PCS

1/4" x 5/8"

1/4"

5 WASHER



12PCS

6 ALLEN KEY



1PCS

1/4"

4mm

7 ALLEN KEY



1PC

2mm

### NOTE:

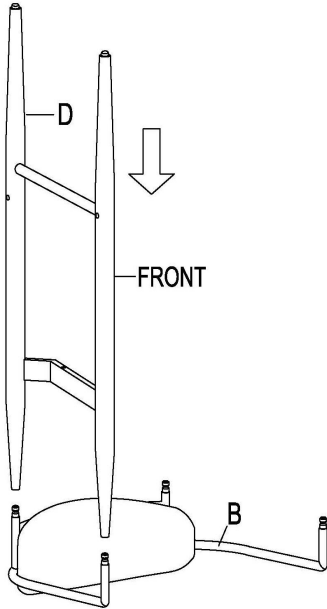
Quantities shown are for one stool.

ITEM:121189

# ASSEMBLY INSTRUCTIONS

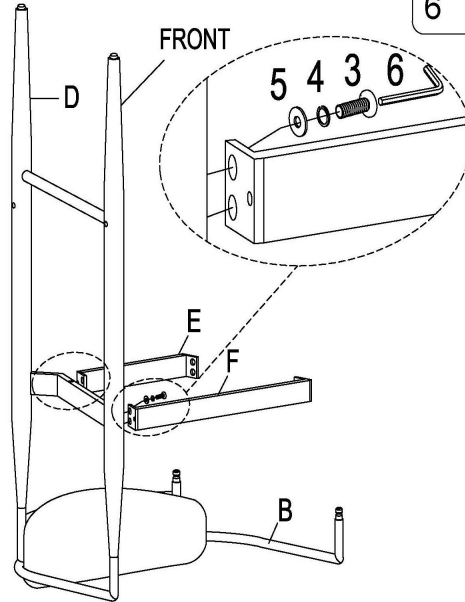


## STEP 1



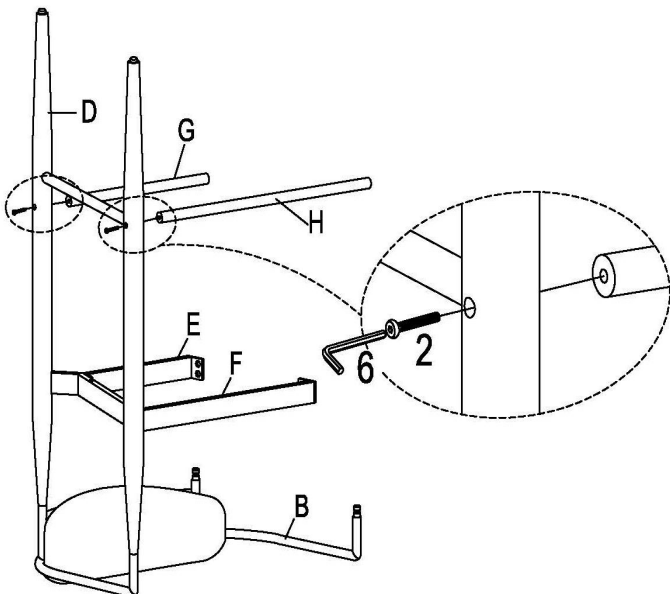
## STEP 2

3		4PCS
4		4PCS
5		4PCS
6		1PC

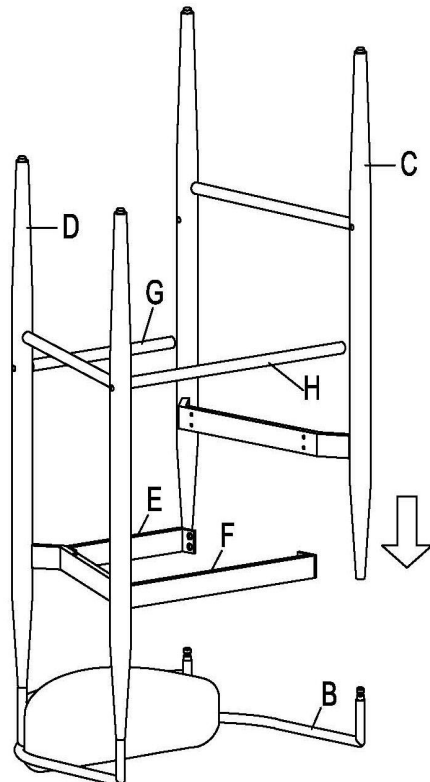


## STEP 3

2		2PCS
6		1PC



## STEP 4



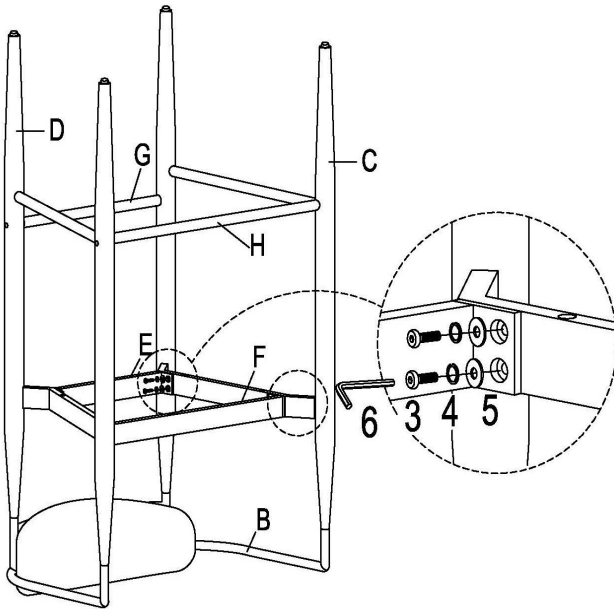
# ITEM:121189

## ASSEMBLY INSTRUCTIONS



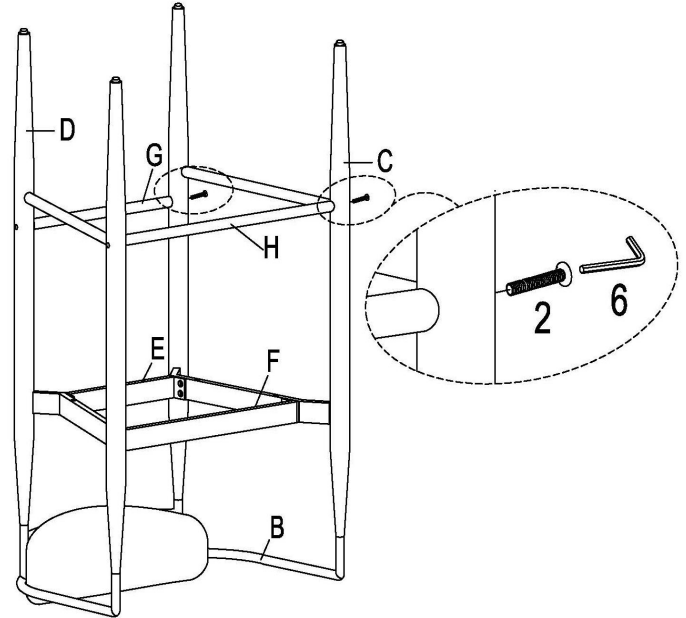
### STEP 5

3		4PCS
4		4PCS
5		4PCS
6		1PC



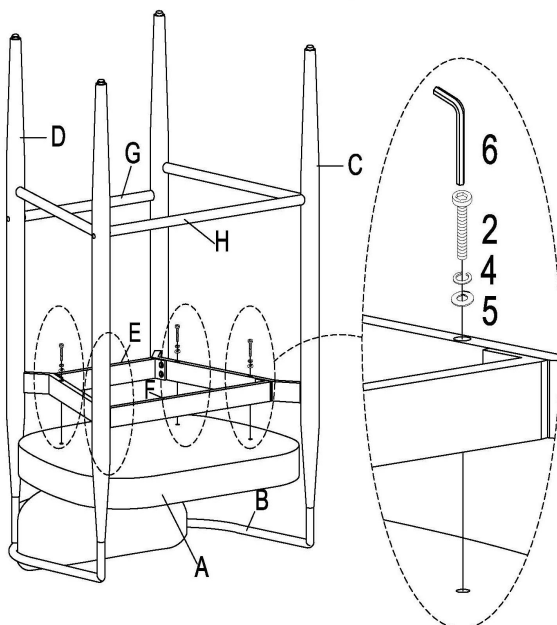
### STEP 6

2		2PCS
6		1PC



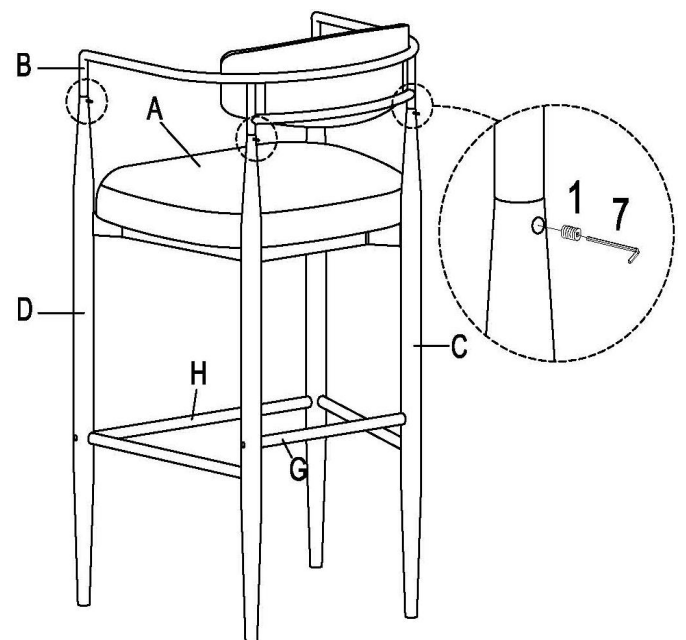
### STEP 7

2		4PCS
4		4PCS
5		4PCS
6		1PC



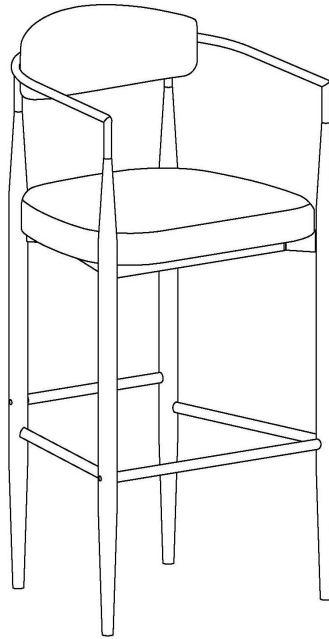
### STEP 8

1		4PCS
7		1PC



ITEM:121189

**STEP 9**  
**COMPLETE**



**Note:** Dimension tolerance  $\pm 5\%$