



ASSEMBLY INSTRUCTIONS COASTER FINE FURNITURE



Fine Furniture for every stage of life

REVISION 0 : 02/28/2024

707827
End Table

PAGE 1 OF 4

COASTERFURNITURE.COM

ITEM:707827



ASSEMBLY INSTRUCTIONS

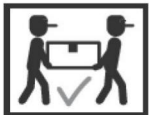
ASSEMBLY TIPS:

1. Remove hardware from box and sort by size.
2. Please check to see that all hardware and parts are present prior start of assembly.
3. Please follow attached instructions in the same sequence as numbered to assure fast & easy assembly.



WARNING!

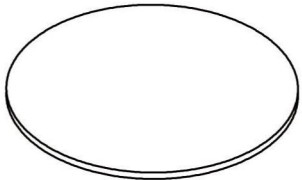
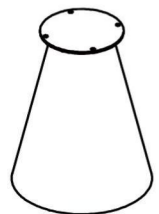
1. Don't attempt to repair or modify parts that are broken or defective .Please contact the store immediately.
2. This product is for home use only and not intended for commercial establishment.






ASSEMBLY TIME

5 MINUTES

PARTS IDENTIFICATION

B1 (BOX 1)		B2 (BOX 2)	
A TOP		B BASE	
	1PC		1PC

HARDWARE IDENTIFICATION

Z	HARDWARE PACK	Hardware pack is located in 707827B2	
1	ALLEN WRENCH M8-SR		1PC
2	BOLT M8" *15MM-GD		4PCS
3	FLAT WASHER Ø18 *Ø8-GD		4PCS

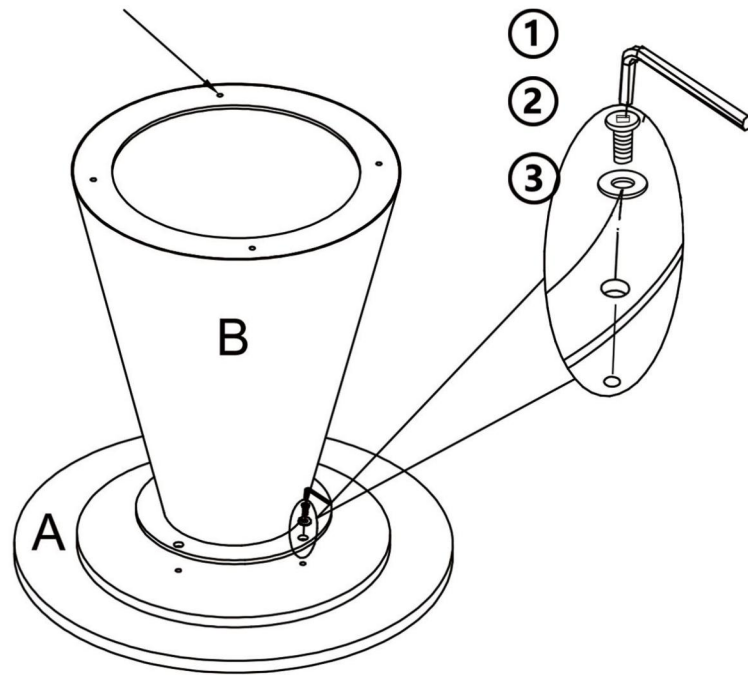
ITEM: 707827

ASSEMBLY INSTRUCTIONS

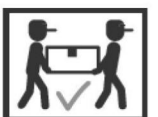
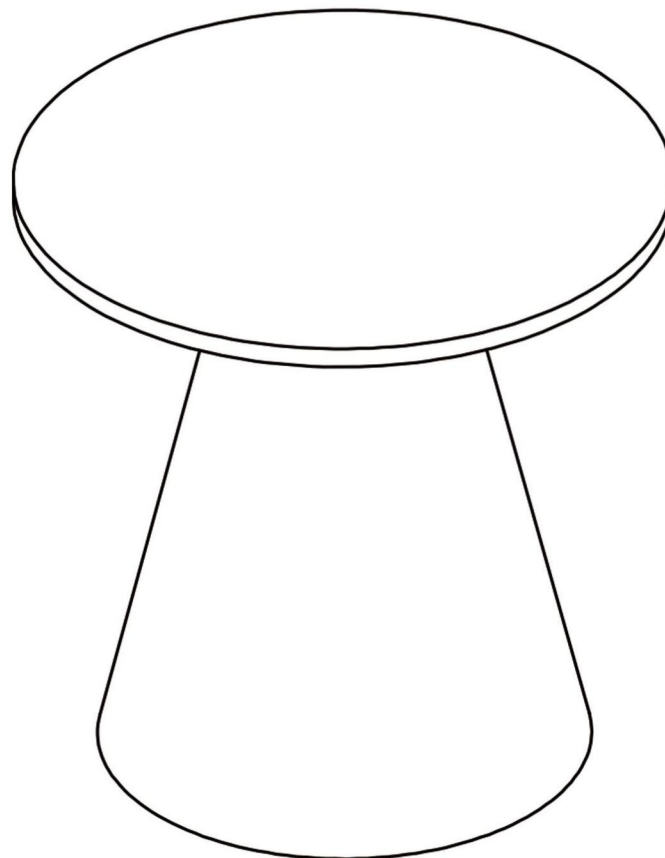
STEP 1



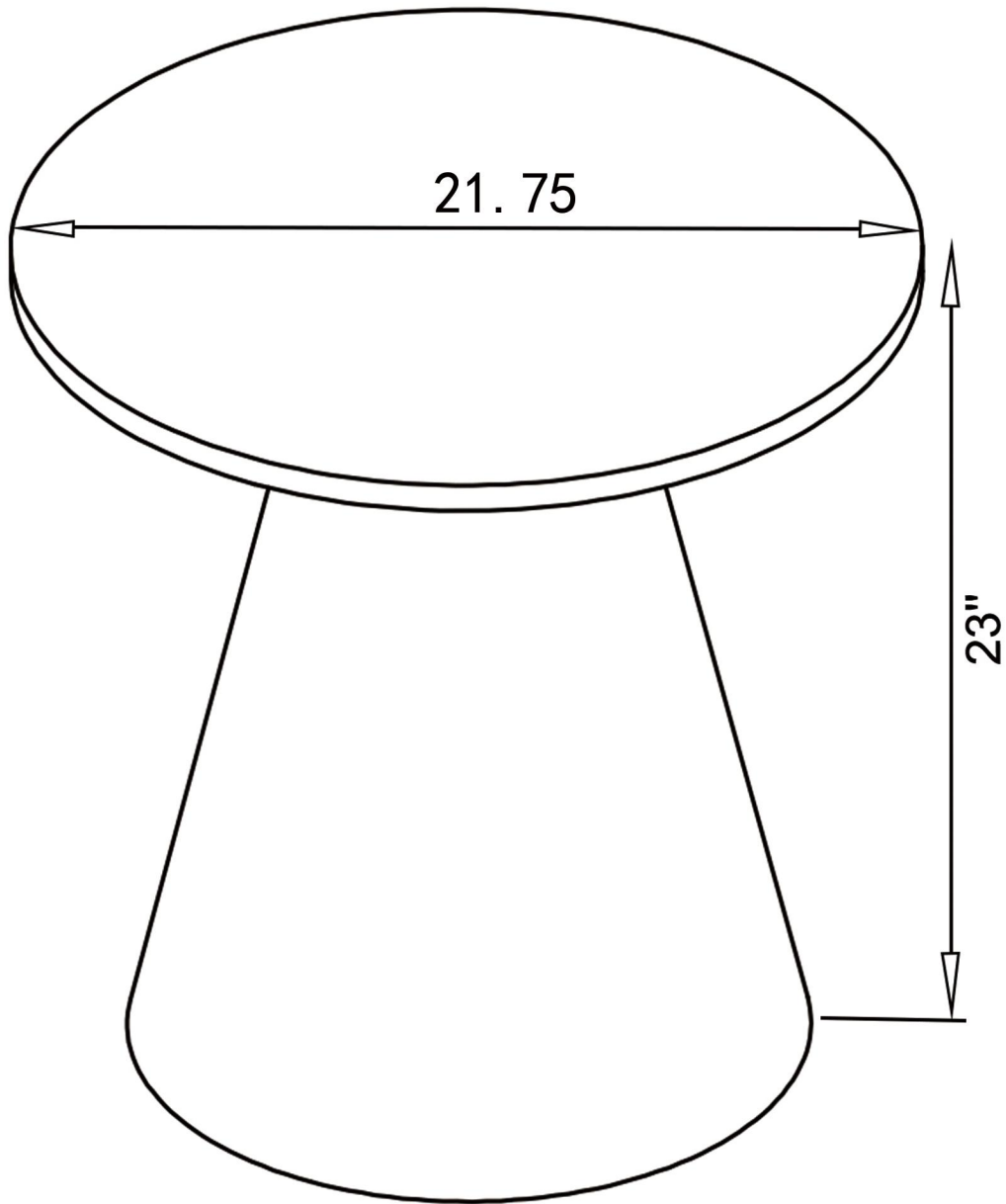
Adjustable



STEP 2



ITEM: 707827
ASSEMBLY INSTRUCTIONS



Note :Dimension tolerance $\pm 5\%$

