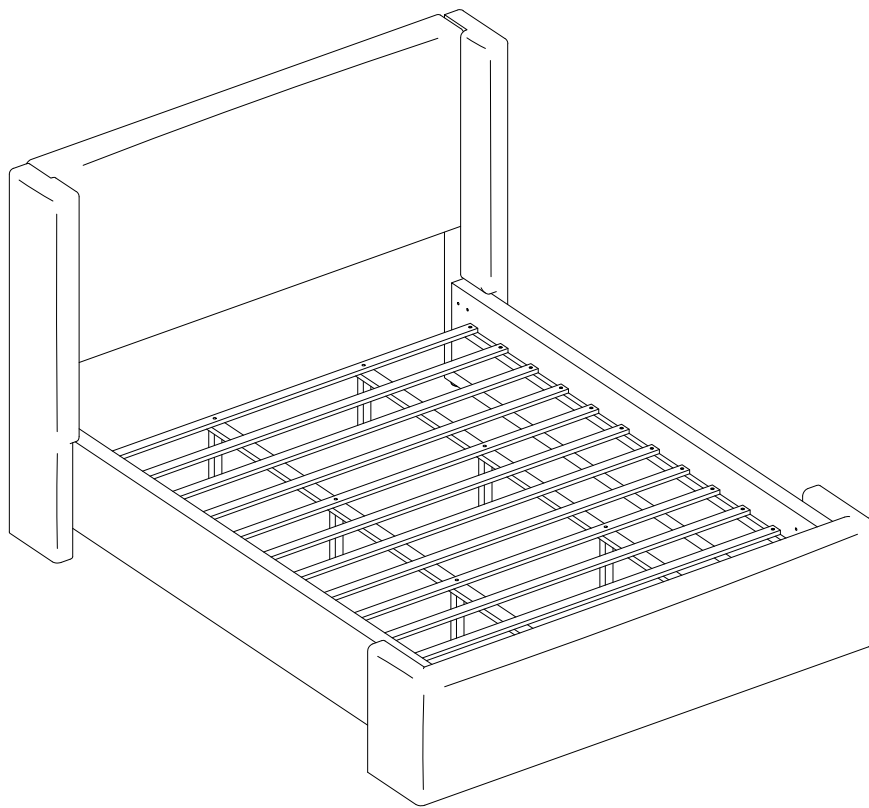


**ASSEMBLY INSTRUCTIONS**  
**COASTER FINE FURNITURE**



*Fine Furniture for every stage of life*

**310078KE(B1&B2)**  
**Eastern King Bed**

# ITEM: 310078KE(B1&B2)



## ASSEMBLY INSTRUCTIONS

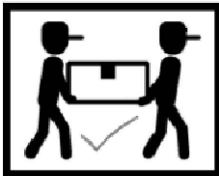
### ASSEMBLY TIPS:

1. Remove hardware from box and sort by size.
2. Please check to see that all hardware and parts are present prior to start of assembly.
3. Please follow attached instructions in the same sequence as numbered to assure fast & easy assembly.



### WARNING!

1. Don't attempt to repair or modify parts that are broken or defective. Please contact the store immediately.
2. This product is for home use only and not intended for commercial establishments.


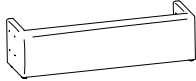


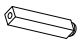
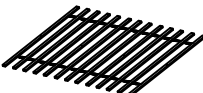


ASSEMBLY TIME



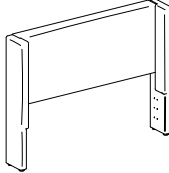

25 MINUTES

## PARTS IDENTIFICATION

### B1 (BOX 1)

A	HEADBOARD PANEL		1PC
B	FOOTBOARD		1PC
C	LEFT HEADBOARD LEG		1PC
D	RIGHT HEADBOARD LEG		1PC
E	BED SLAT SUPPORT WITH LEVELER		8PCS
F	ROLL SLAT (13PCS)		1SET

### B2 (BOX 2)

G	BED RAIL		2PCS
H	CENTER RAIL		2PCS
HB	HEADBOARD FROM BOX1 HEADBOARD COMPLETE		1PC
B	FOOTBOARD FROM BOX1 FOOTBOARD		1PC

# ITEM: 310078KE(B1&B2)

## ASSEMBLY INSTRUCTIONS

### ASSEMBLY TIPS :

1. Remove hardware from box and sort by size.
2. Please check to see that all hardware and parts are present prior to start of assembly.
3. Please follow attached instructions in the same sequence as numbered to assure fast & easy assembly.


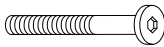
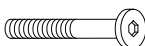








### WARNING !

1. Don't attempt to repair or modify parts that are broken or defective. Please contact the store immediately.
2. This product is for home use only and not intended for commercial establishments.

## HARDWARE IDENTIFICATION

### Z-B1(BOX 1) - HARDWARE PACK IS LOCATED IN 310078KE(B1)

1	<b>LONG BOLT</b> (M8 X 80MM - RBW)		16PCS
2	<b>MEDIUM BOLT</b> (M6 X 50MM - RBW)		8PCS
3	<b>SHORT BOLT</b> (M8 X 40MM - RBW)		6PCS
4	<b>LOCK WASHER</b> (M8 X 13MM - RBW)		22PCS
5	<b>FLAT WASHER</b> (M8 X 19MM - RBW)		22PCS
6	<b>FLAT HEAD SCREW</b> (M4 X 28MM - RBW)		26PCS
7	<b>BIG ALLEN WRENCH</b> (M5 X 65MM - BLK)		1PC
8	<b>SMALL ALLEN WRENCH</b> (M4 X 110MM - BLK)		1PC
9	<b>WOOD DOWEL</b> (M8 X 35MM)		8PCS

### NOTE:

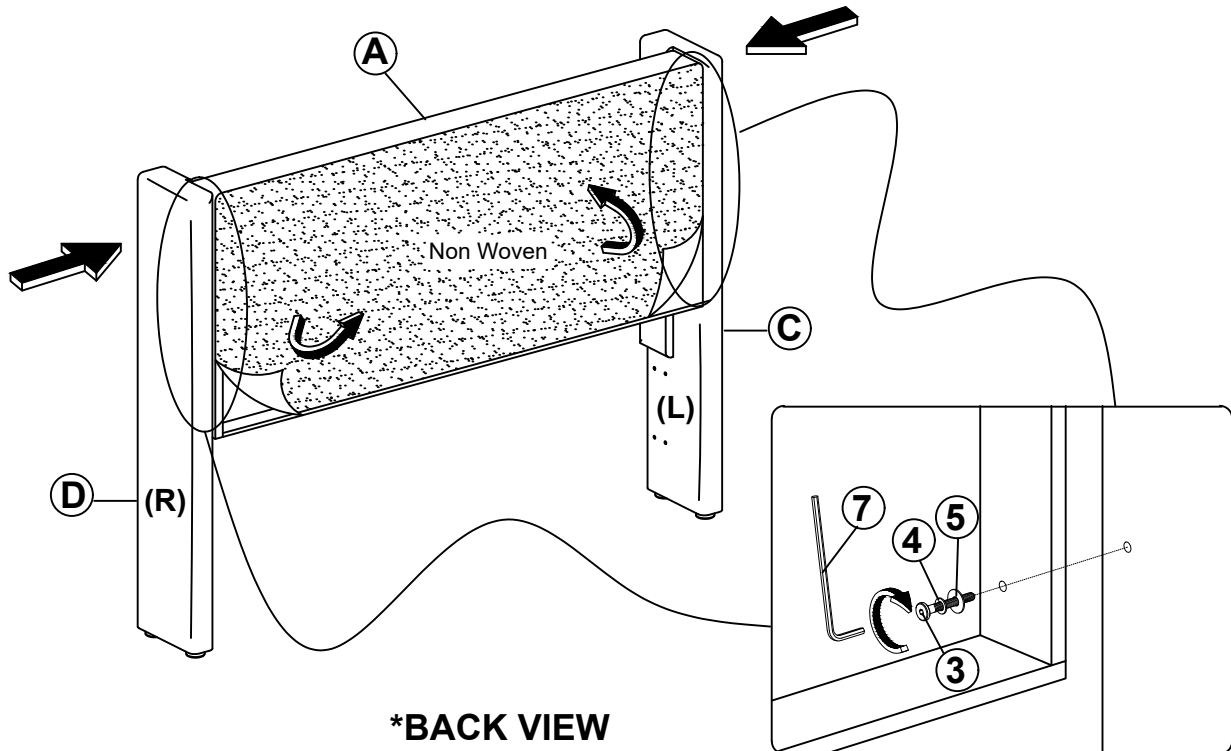
Phillips head screw driver is required in the assembly process; however, manufacture dose not provided this item.

# ITEM: 310078KE(B1&B2)

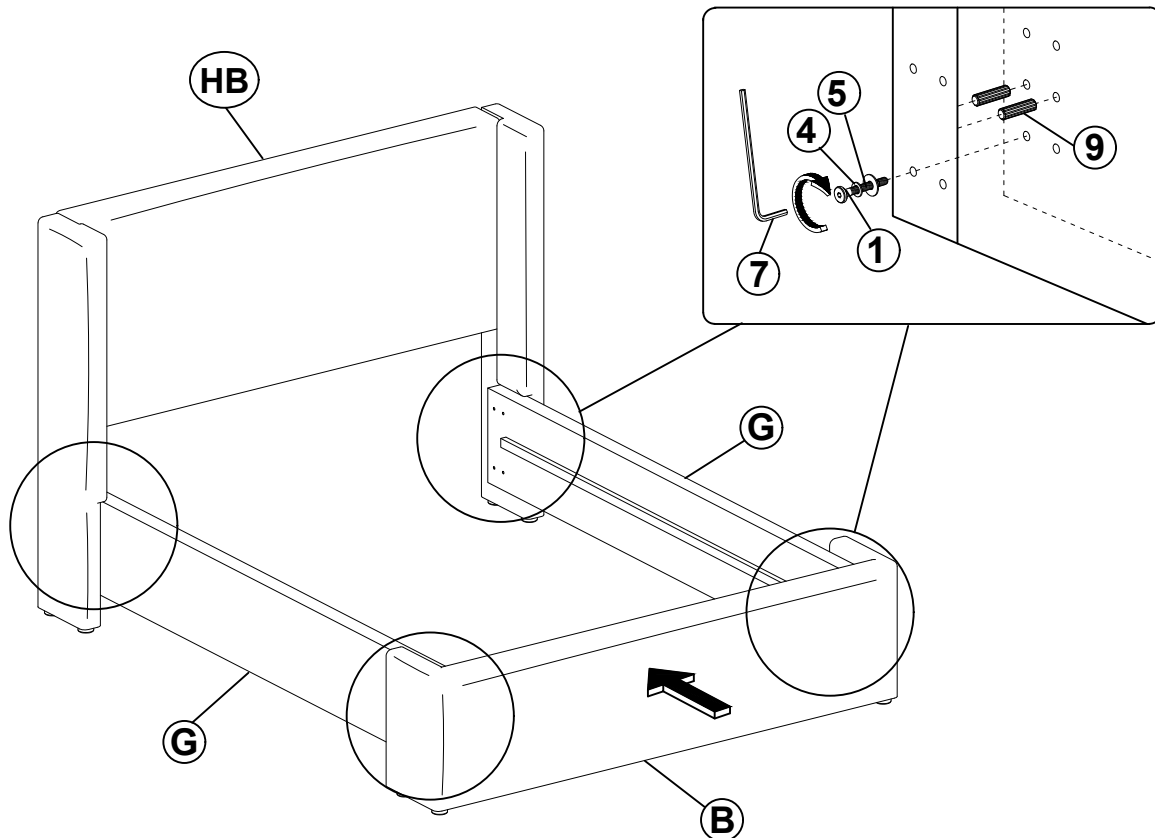
## ASSEMBLY INSTRUCTIONS



### STEP 1



### STEP 2

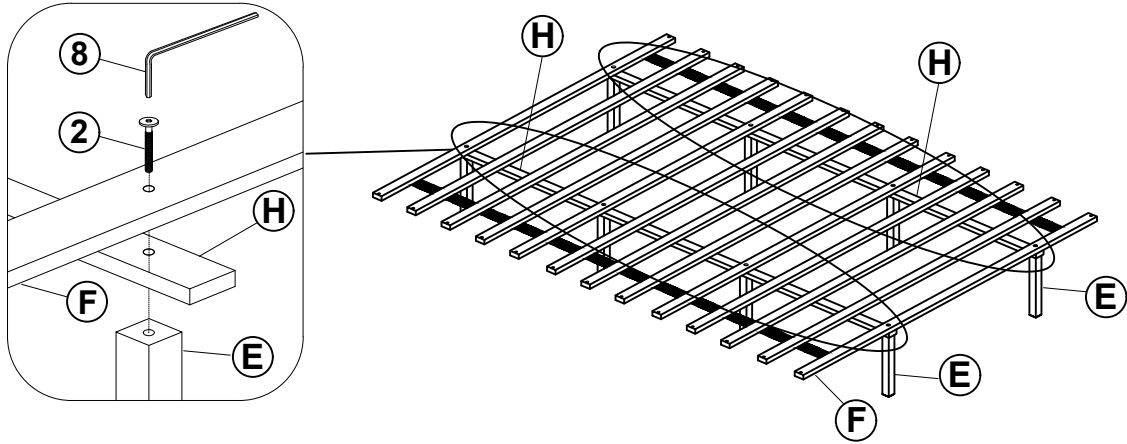


# ITEM: 310078KE(B1&B2)

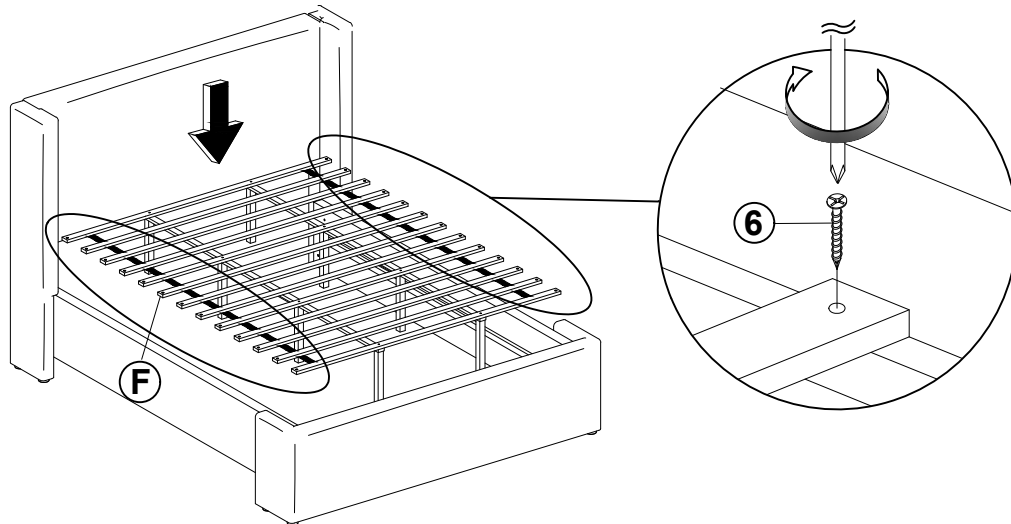
## ASSEMBLY INSTRUCTIONS



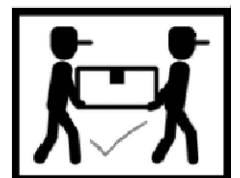
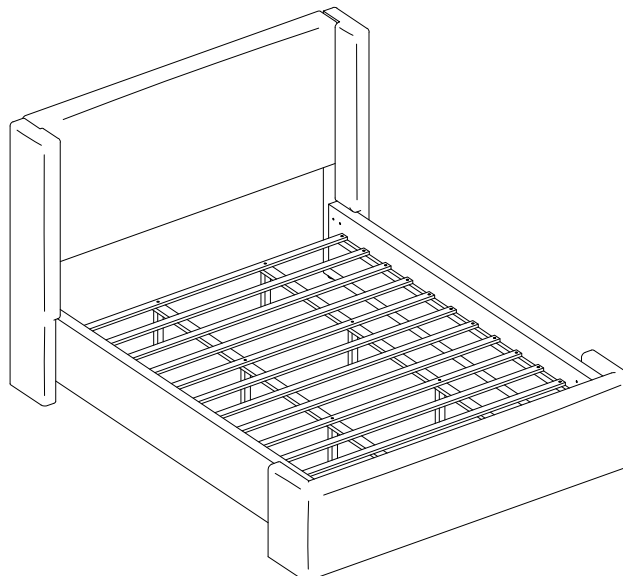
### STEP 3



### STEP 4



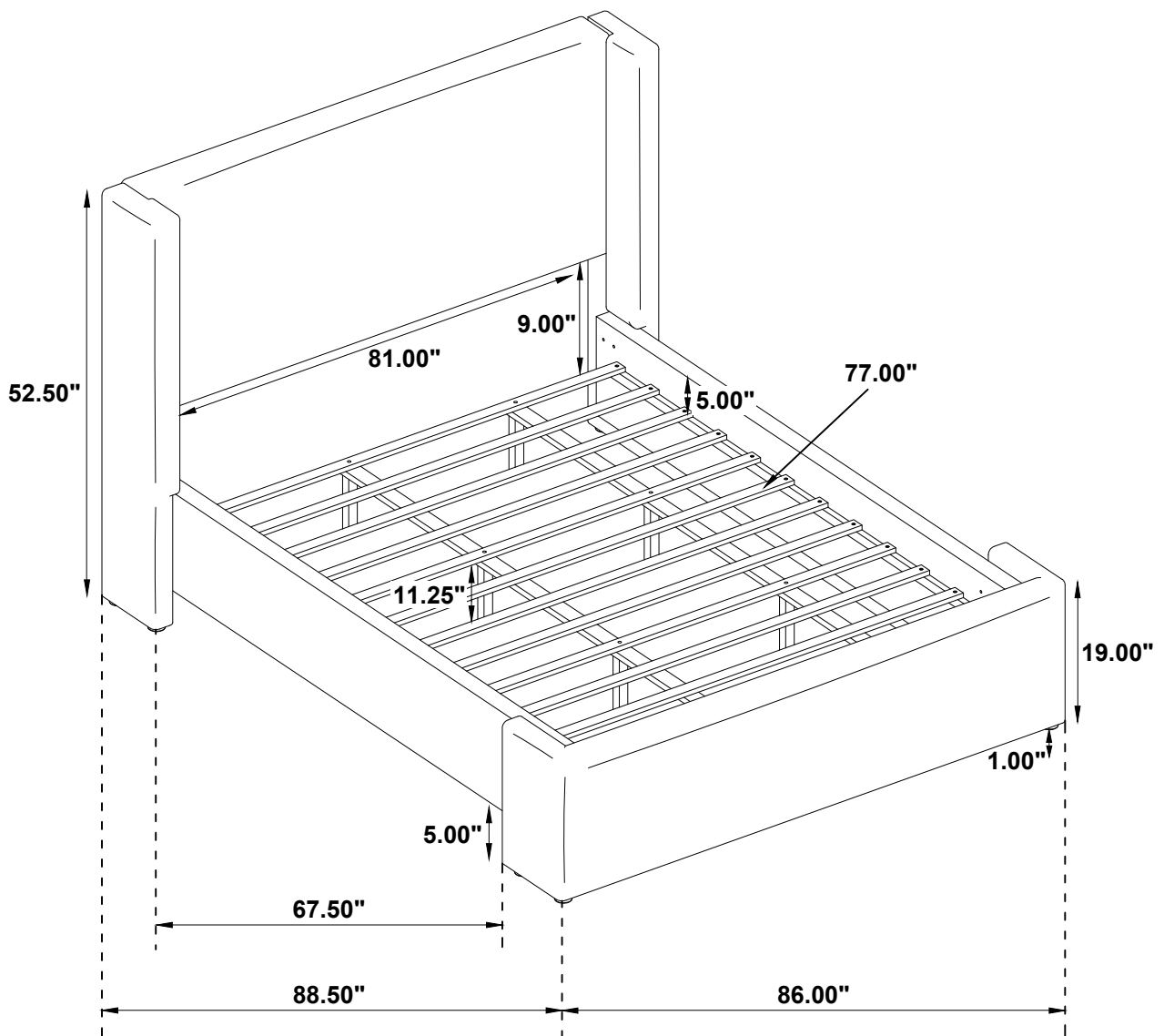
### STEP 5 COMPLETE



ITEM: **310078KE(B1&B2)**



Inner Size : 77.00"W X 80.50"D



Note: Dimension tolerance  $\pm 5\%$