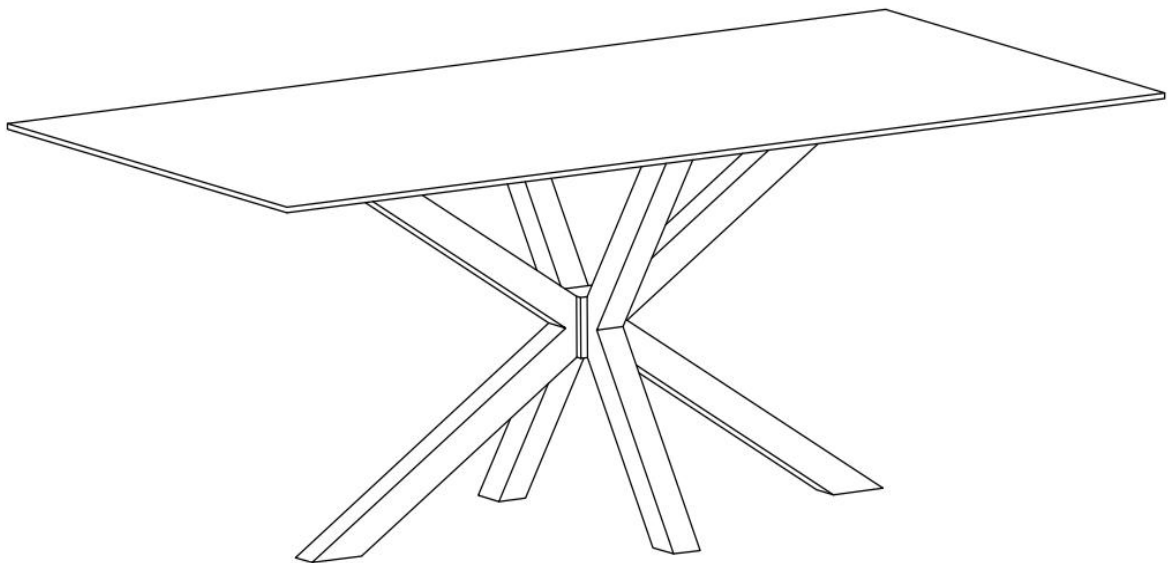




ASSEMBLY INSTRUCTIONS
COASTER FINE FURNITURE



Fine Furniture for every stage of life

150541
DINING TABLE

ITEM: 150541 (B1-B2)



ASSEMBLY INSTRUCTIONS

ASSEMBLY TIPS:

1. Remove hardware from box and sort by size.
2. Please check to see that all hardware and parts are present prior to start of assembly.
3. Please follow attached instructions in the same sequence as numbered to assure fast & easy assembly.

WARNING!

1. Don't attempt to repair or modify parts that are broken or defective. Please contact the store immediately.
2. This product is for home use only and not intended for commercial establishments.



ASSEMBLY TIME

15 MINUTES

PARTS IDENTIFICATION

B1 (BOX 1)

A TOP MARBLE  1PC

B2 (BOX 2)

B LONG LEG  2PCS

C SMALL LEG  2PCS

D LEG SUPPORT  1PC

NOTE:

Phillips head screw driver is required in the assembly process; however, manufacturer does not provide this item.

ITEM:150541 (B1-B2)

ASSEMBLY INSTRUCTIONS

ASSEMBLY TIPS:

1. Remove hardware from box and sort by size.
2. Please check to see that all hardware and parts are present prior to start of assembly.
3. Please follow attached instructions in the same sequence as numbered to assure fast & easy assembly.






WARNING!

1. Don't attempt to repair or modify parts that are broken or defective. Please contact the store immediately.
2. This product is for home use only and not intended for commercial establishments.

HARDWARE IDENTIFICATION

Z - HARDWARE PACK IS LOCATED IN 150541 (B2)

1 ALLEN WRENCH		1PC
2 SHORT BOLT (M8*16mm)		16PCS
3 FLAT WASHER		16PCS

Hardware pack is located in 150541 B2

NOTE:

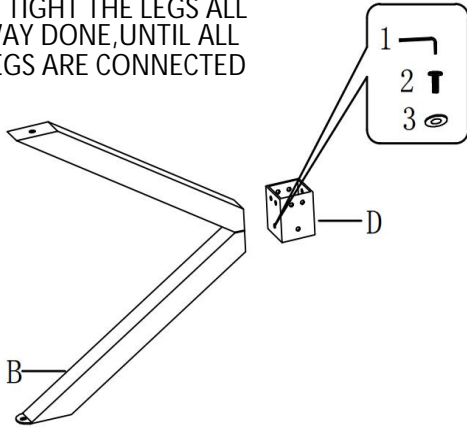
Phillips head screw driver is required in the assembly process; however, manufacturer does not provide this item.

ITEM:150541 (B1-B2)

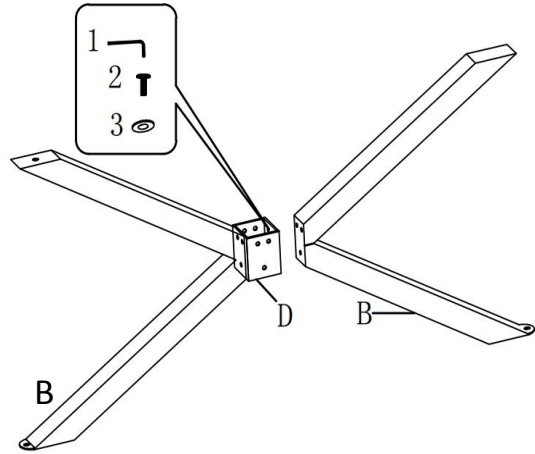
ASSEMBLY INSTRUCTIONS

STEP 1

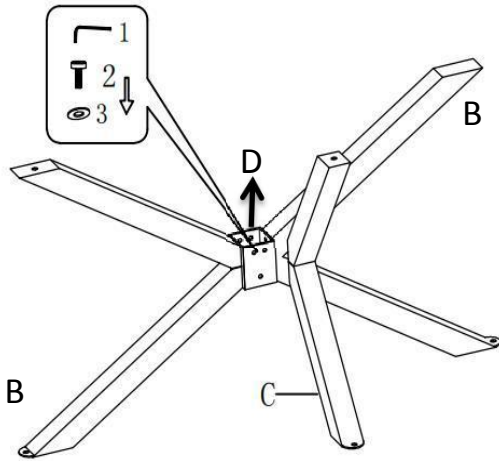
DON'T TIGHT THE LEGS ALL THE WAY DONE, UNTIL ALL THE LEGS ARE CONNECTED



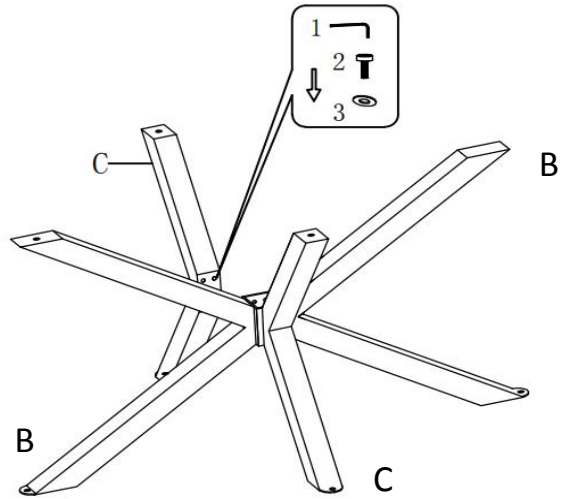
STEP 2



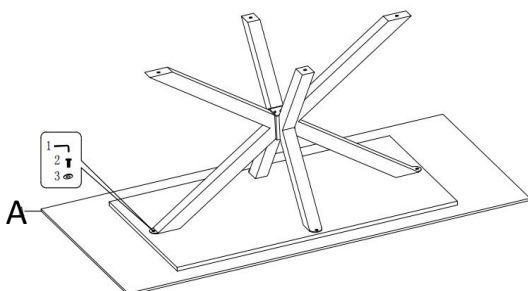
STEP 3



STEP 4

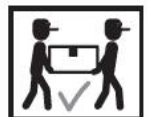


STEP 4

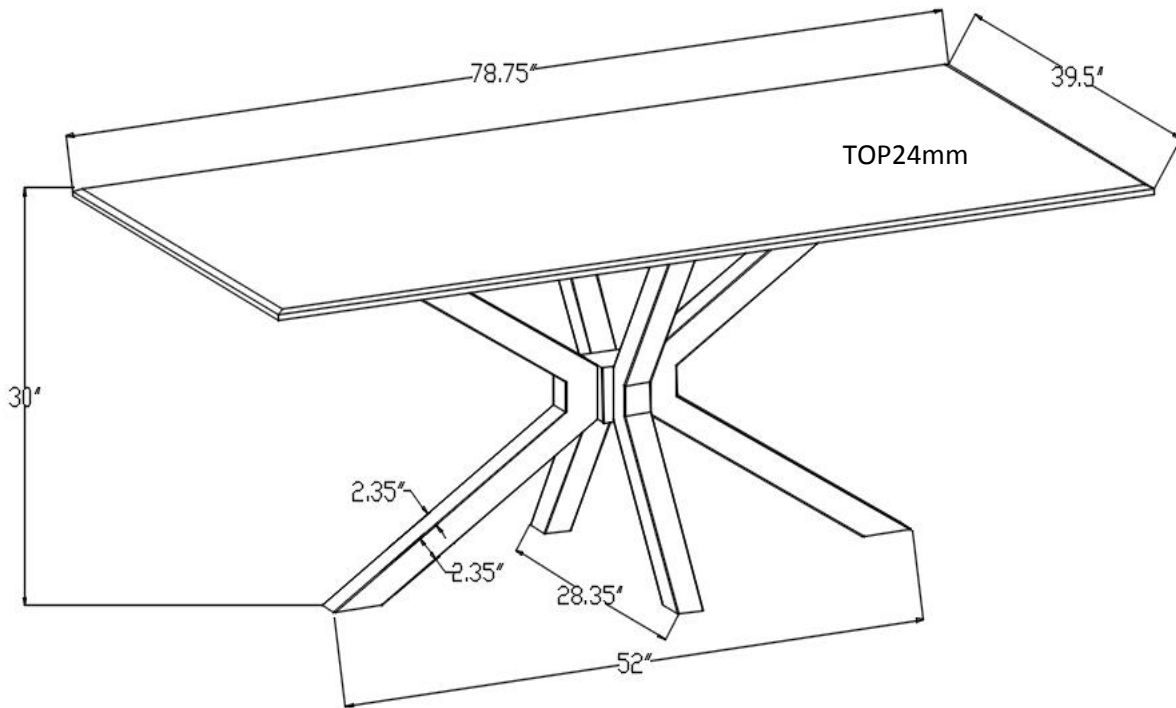


TIGHT THE BASE AND TOP TOGETHER

STEP 5



ITEM:150541 (B1-B2)



Note : Dimension tolerance $\pm 5\%$