

ASSEMBLY INSTRUCTIONS
COASTER FINE FURNITURE



Fine Furniture for every stage of life

109150
Dining Table

ITEM: **109150**



ASSEMBLY INSTRUCTIONS

ASSEMBLY TIPS:

1. Remove hardware from box and sort by size.
2. Please check to see that all hardware and parts are present prior to start of assembly.
3. Please follow attached instructions in the same sequence as numbered to assure fast & easy assembly.



WARNING!

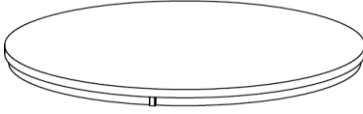


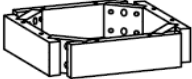

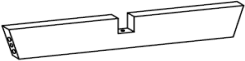
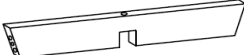
1. Don't attempt to repair or modify parts that are broken or defective. Please contact the store immediately.
2. This product is for home use only and not intended for commercial establishments.



ASSEMBLY TIME

30 MINUTES

PARTS IDENTIFICATION

A	TOP		1PC
B	UPPER TOP SUPPORT		1PC
C	LOWER TOP SUPPORT		1PC
D	APRON		1PC
E	LEG		4PCS
F	UPPER CROSSBAR		1PC
G	LOWER CROSSBAR		1PC

NOTE:

Phillips head screw driver is required in the assembly process; however, manufacturer does not provide this item.

ITEM: 109150

ASSEMBLY INSTRUCTIONS

ASSEMBLY TIPS:


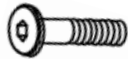




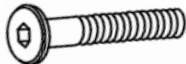





1. Remove hardware from box and sort by size.
2. Please check to see that all hardware and parts are present prior to start of assembly.
3. Please follow attached instructions in the same sequence as numbered to assure fast & easy assembly.



WARNING!

1. Don't attempt to repair or modify parts that are broken or defective. Please contact the store immediately.
2. This product is for home use only and not intended for commercial establishments.

HARDWARE IDENTIFICATION

1	SMALL ALLEN WRENCH (M4 x 100mm - BLK)		1PC
2	BOLT 1 (M6 x 40mm - RBW)		5PCS
3	BOLT 2 (M6 x 120mm - BLK)		8PCS
4	SMALL LOCK WASHER (M6 - RBW)		13PCS
5	SMALL FLAT WASHER (M6 - RBW)		4PCS
6	BIG ALLEN WRENCH (M5 x 65mm - BLK)		1PC
7	BOLT 3 (M8 x 70mm - RBW)		8PCS
8	BIG LOCK WASHER (M8 - RBW)		8PCS
9	BIG FLAT WASHER (M8 - RBW)		8PCS
10	PLASTIC DOWEL (M8 x 30mm - BLK)		4PCS
11	WAFER HEAD SCREW (M4 x 25mm - BLK)		16PCS
12	TRIM		4PCS

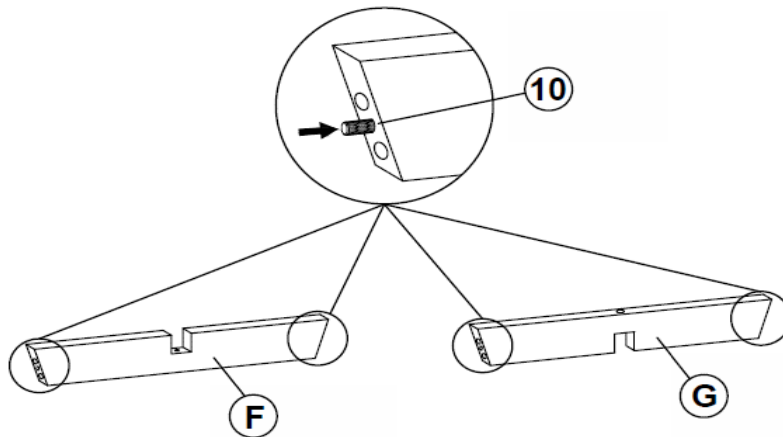
NOTE:

Phillips head screw driver is required in the assembly process; however, manufacturer does not provide this item.

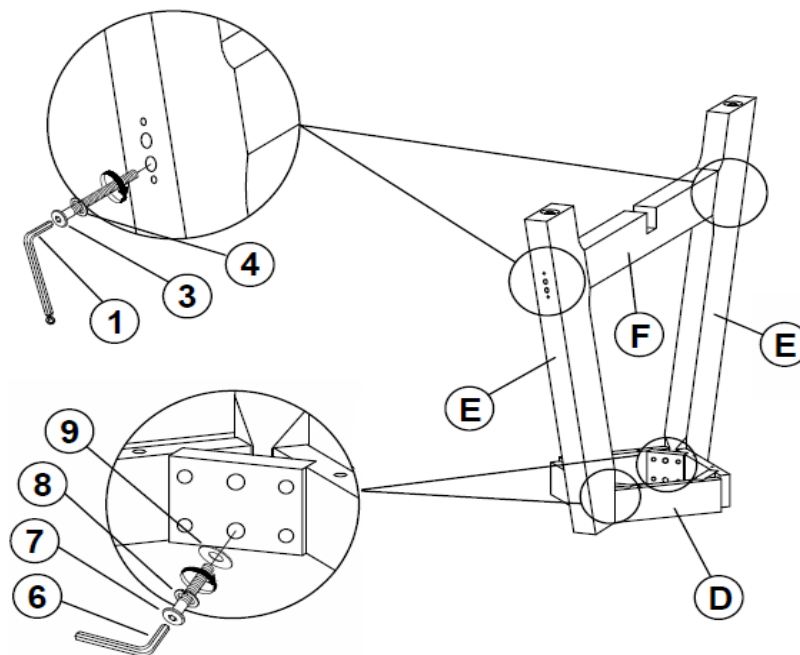
ITEM:109150

ASSEMBLY INSTRUCTIONS

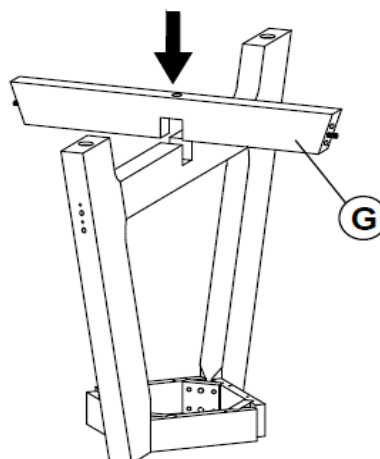
STEP 1



STEP 2



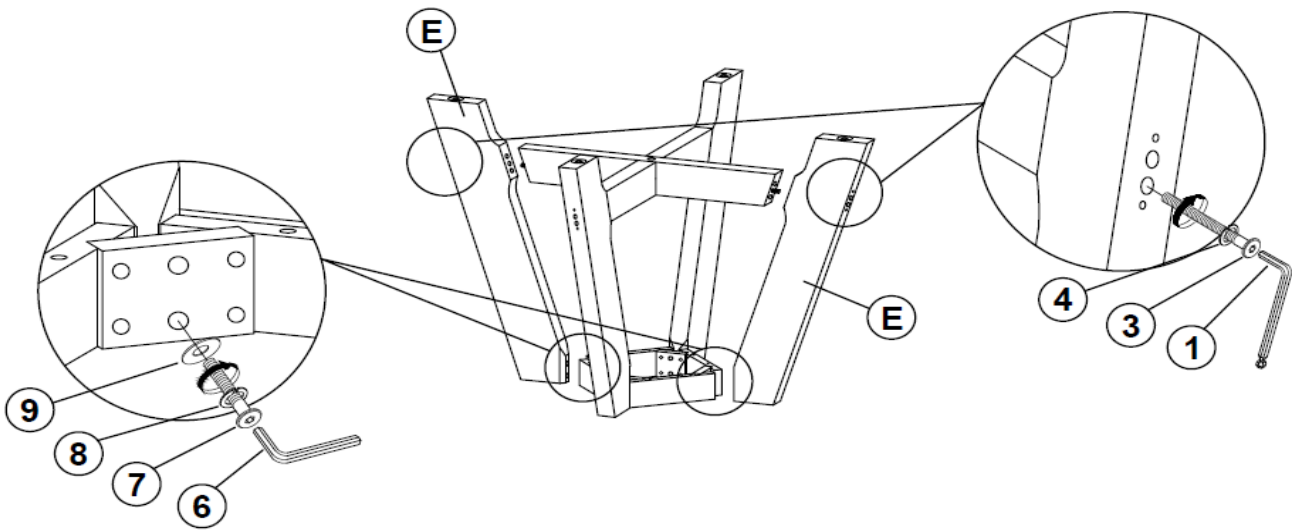
STEP 3



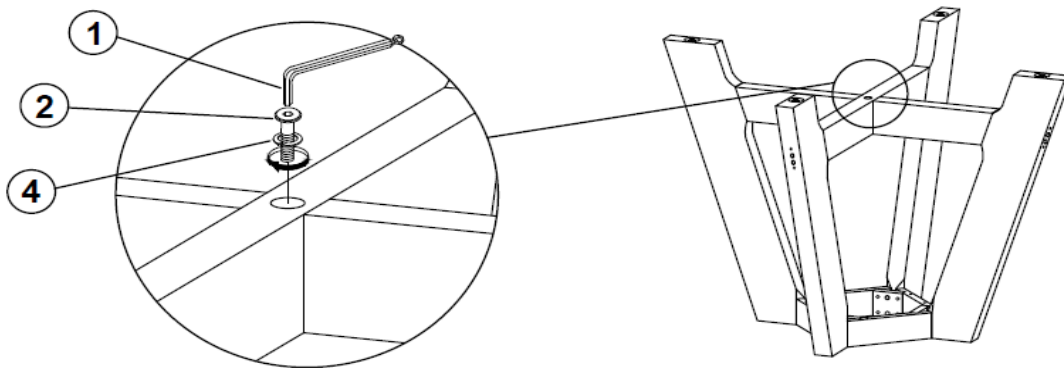
ITEM: **109150**

ASSEMBLY INSTRUCTIONS

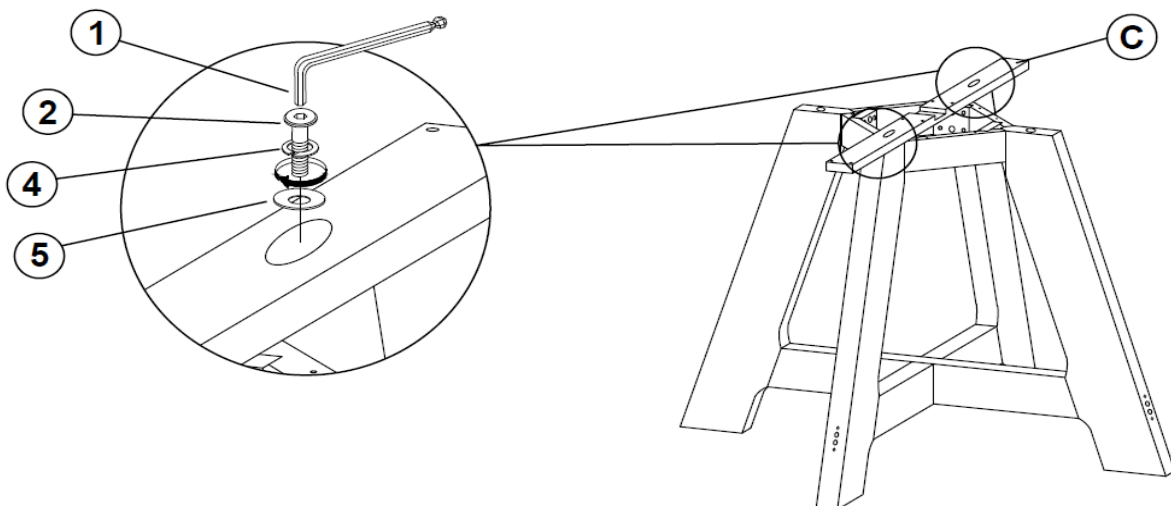
STEP 4



STEP 5



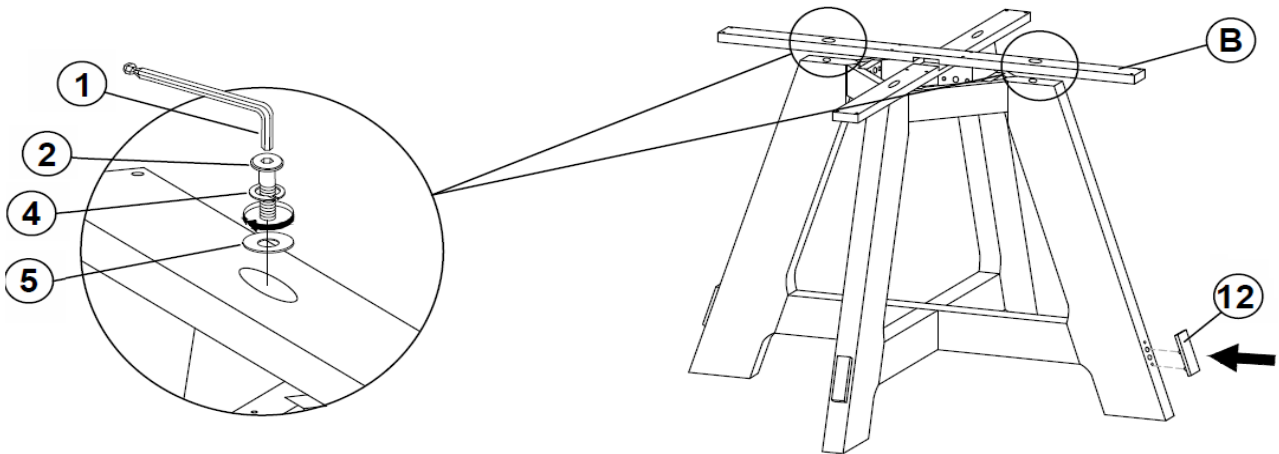
STEP 6



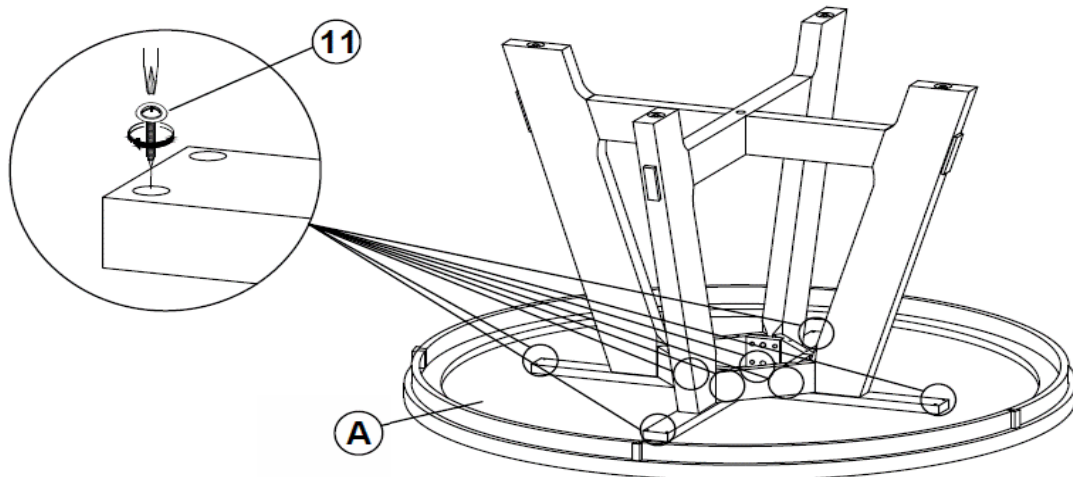
ITEM: **109150**



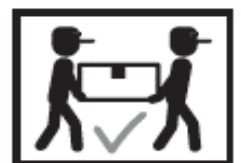
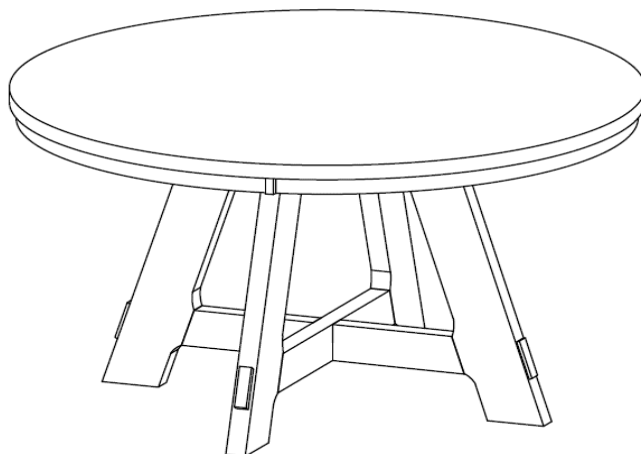
ASSEMBLY INSTRUCTIONS
STEP 7



STEP 8

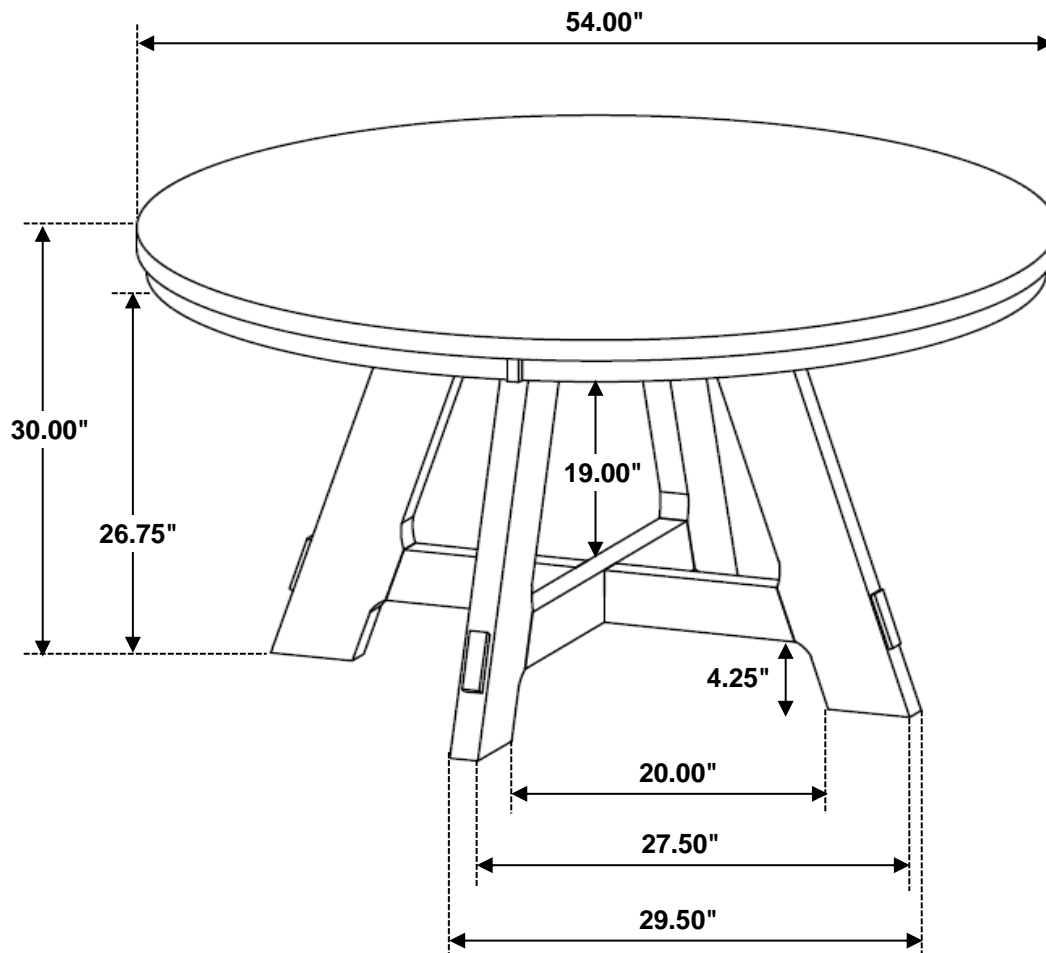


STEP 9
COMPLETE



ITEM:109150

COASTER
FINE FURNITURE



Note: Dimension tolerance $\pm 5\%$