

ASSEMBLY INSTRUCTIONS
COASTER FINE FURNITURE



Fine Furniture for every stage of life

122180BG
Dining Table

ITEM: 122180BG



ASSEMBLY INSTRUCTIONS

ASSEMBLY TIPS:

1. Remove hardware from box and sort by size.
2. Please check to see that all hardware and parts are present prior to start of assembly.
3. Please follow attached instructions in the same sequence as numbered to assure fast & easy assembly.



WARNING!

1. Don't attempt to repair or modify parts that are broken or defective. Please contact the store immediately.
2. This product is for home use only and not intended for commercial establishments.



ASSEMBLY TIME

15 MINUTES

PARTS IDENTIFICATION

A	LEG SUPPORT FRAME		1PC
B	LEG		4PCS
C	DISC WITH BOLT		4SETS
D	GLASS TOP FROM BOX ITEM# CB48RD-6		4PCS

HARDWARE IDENTIFICATION

1	BOLT (M6 x 50mm - RBW)		8PCS
2	LOCK WASHER (1/4" - RBW)		8PCS
3	FLAT WASHER (1/4" - RBW)		8PCS
4	ALLEN WRENCH (4mm - BLK)		1PC

NOTE:

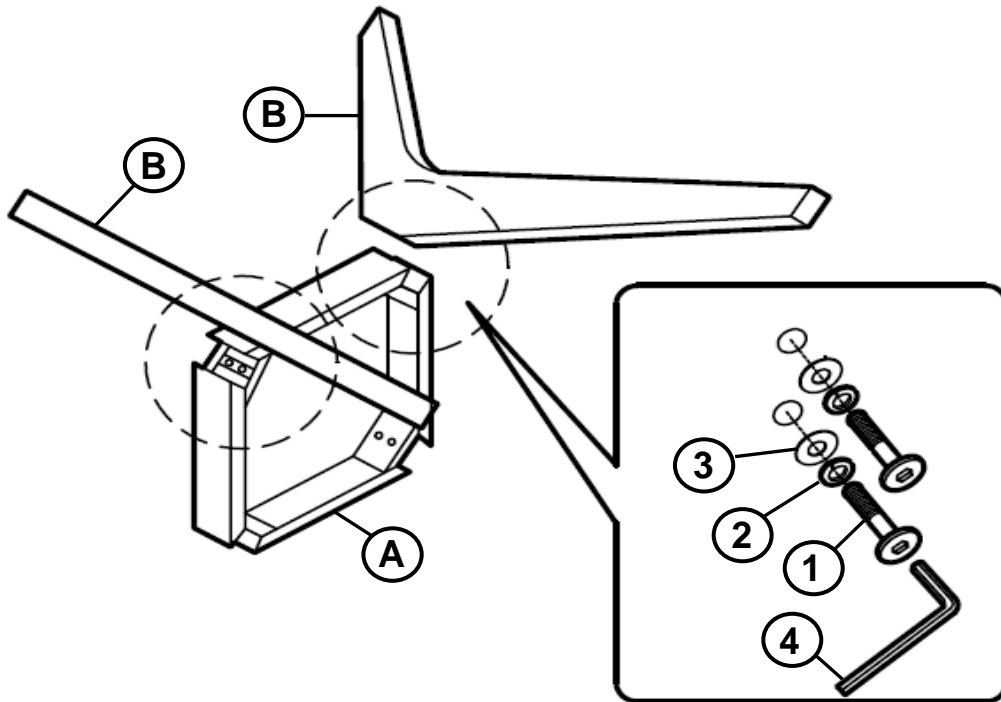
Phillips head screw driver is required in the assembly process; however, manufacturer does not provide this item.

ITEM: **122180BG**

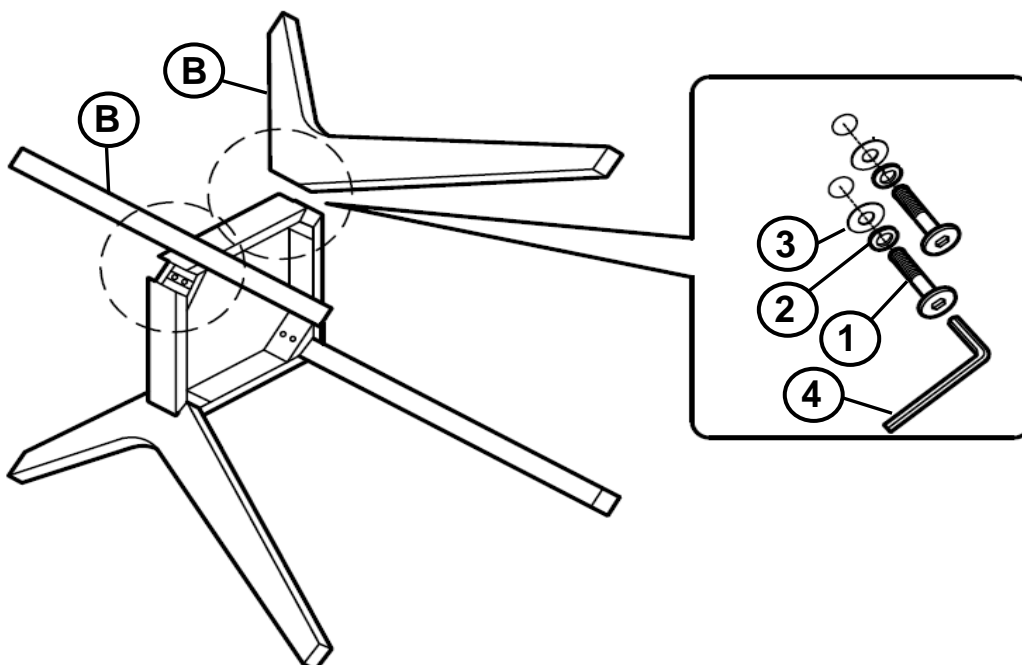


ASSEMBLY INSTRUCTIONS

STEP 1



STEP 2

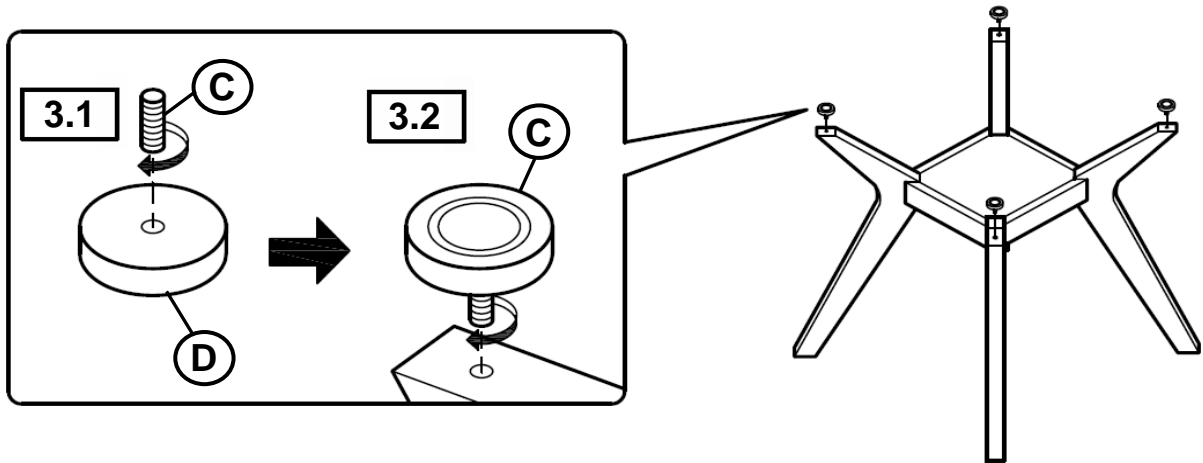


ITEM: **122180BG**

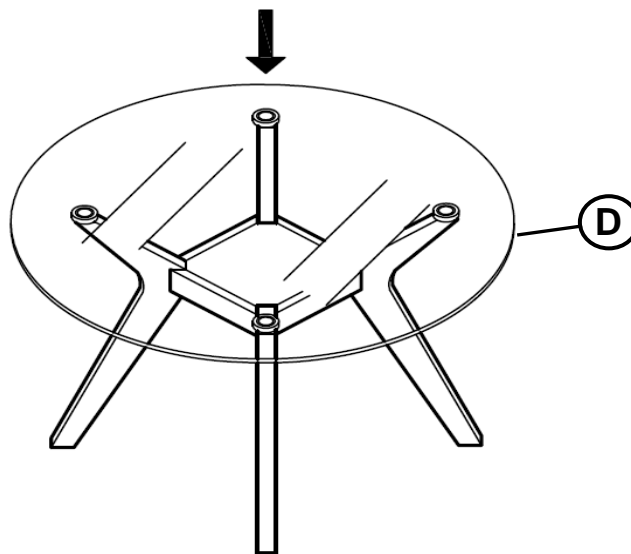


ASSEMBLY INSTRUCTIONS

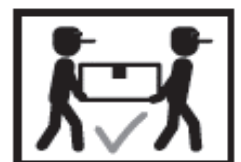
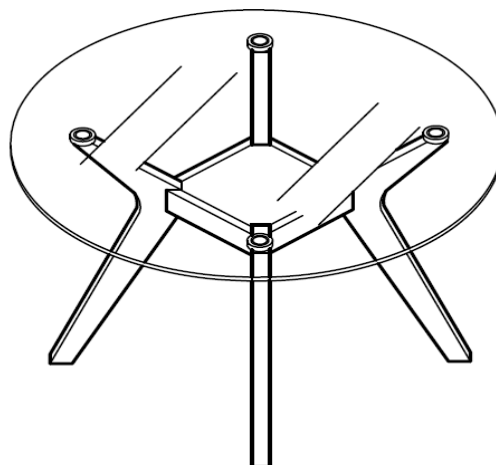
STEP 3



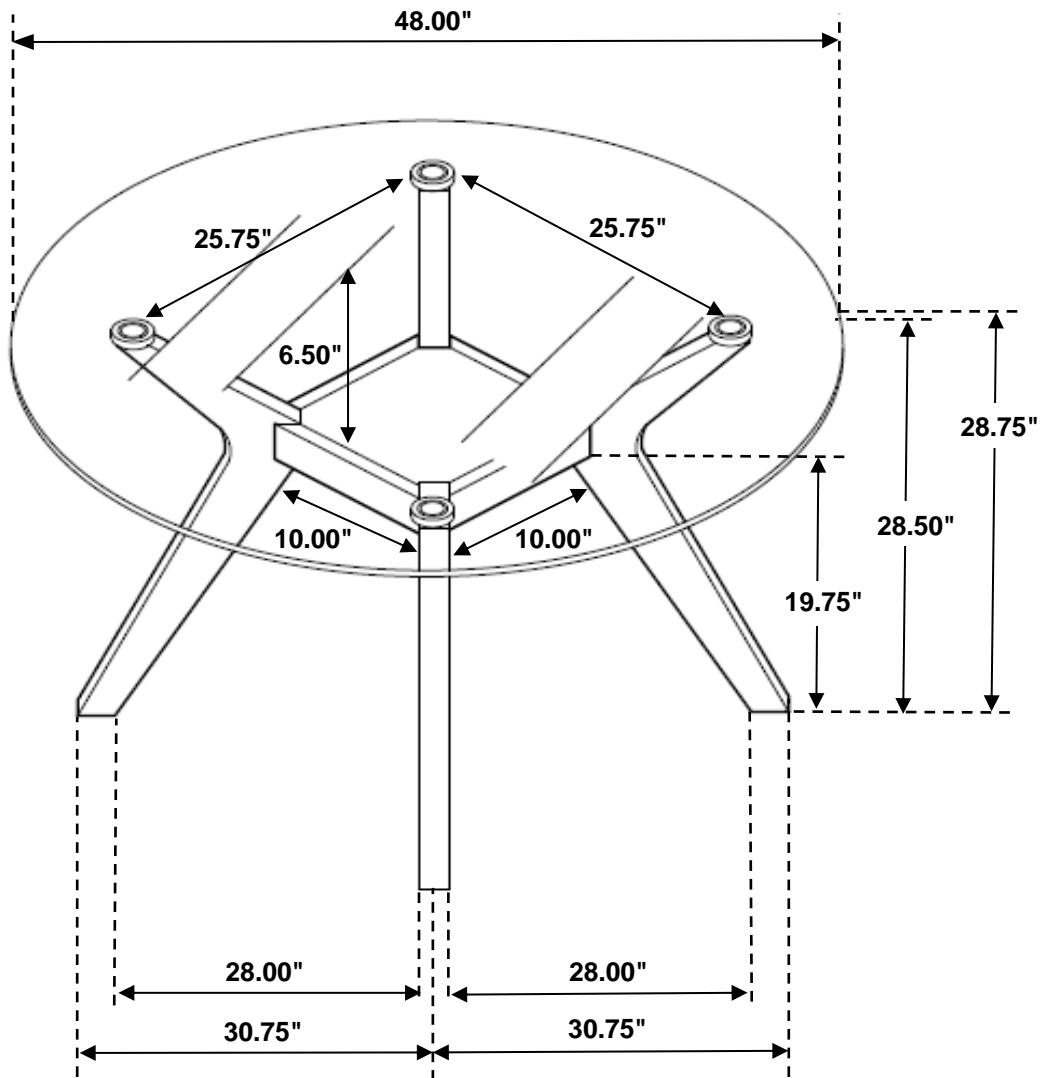
STEP 4



STEP 5
COMPLETE



ITEM: **122180BG**



Note : Dimension tolerance $\pm 5\%$