

*ASSEMBLY INSTRUCTIONS
COASTER FINE FURNITURE*



Fine Furniture for every stage of life

224333
Dresser

ITEM: **224333**



ASSEMBLY INSTRUCTIONS

ASSEMBLY TIPS:

1. Remove hardware from box and sort by size.
2. Please check to see that all hardware and parts are present prior to start of assembly.
3. Please follow attached instructions in the same sequence as numbered to assure fast & easy assembly.



WARNING!

1. Don't attempt to repair or modify parts that are broken or defective. Please contact the store immediately.
2. This product is for home use only and not intended for commercial establishments.

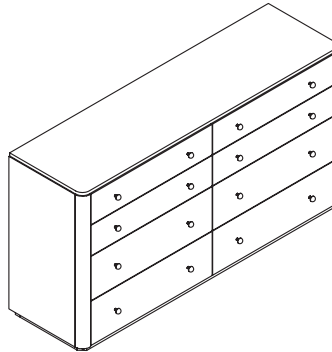


ASSEMBLY TIME

10 MINUTES

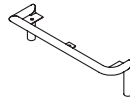
PART IDENTIFICATION

A DRESSER



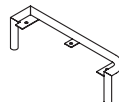
1PC

B LEFT METAL LEG



1PC

C RIGHT METAL LEG



1PC

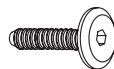
D CENTER SUPPORT LEG WITH LEVELER



1PC

HARDWARE IDENTIFICATION

1 BOLT
(M6 x 22mm - BLK)



6PCS

2 LOCK WASHER
(1.6 x 14mm - BLK)



6PCS

3 FLAT WASHER
(1 x 18mm - BLK)



6PCS

4 ALLEN WRENCH
(M4 x 65mm - BLK)



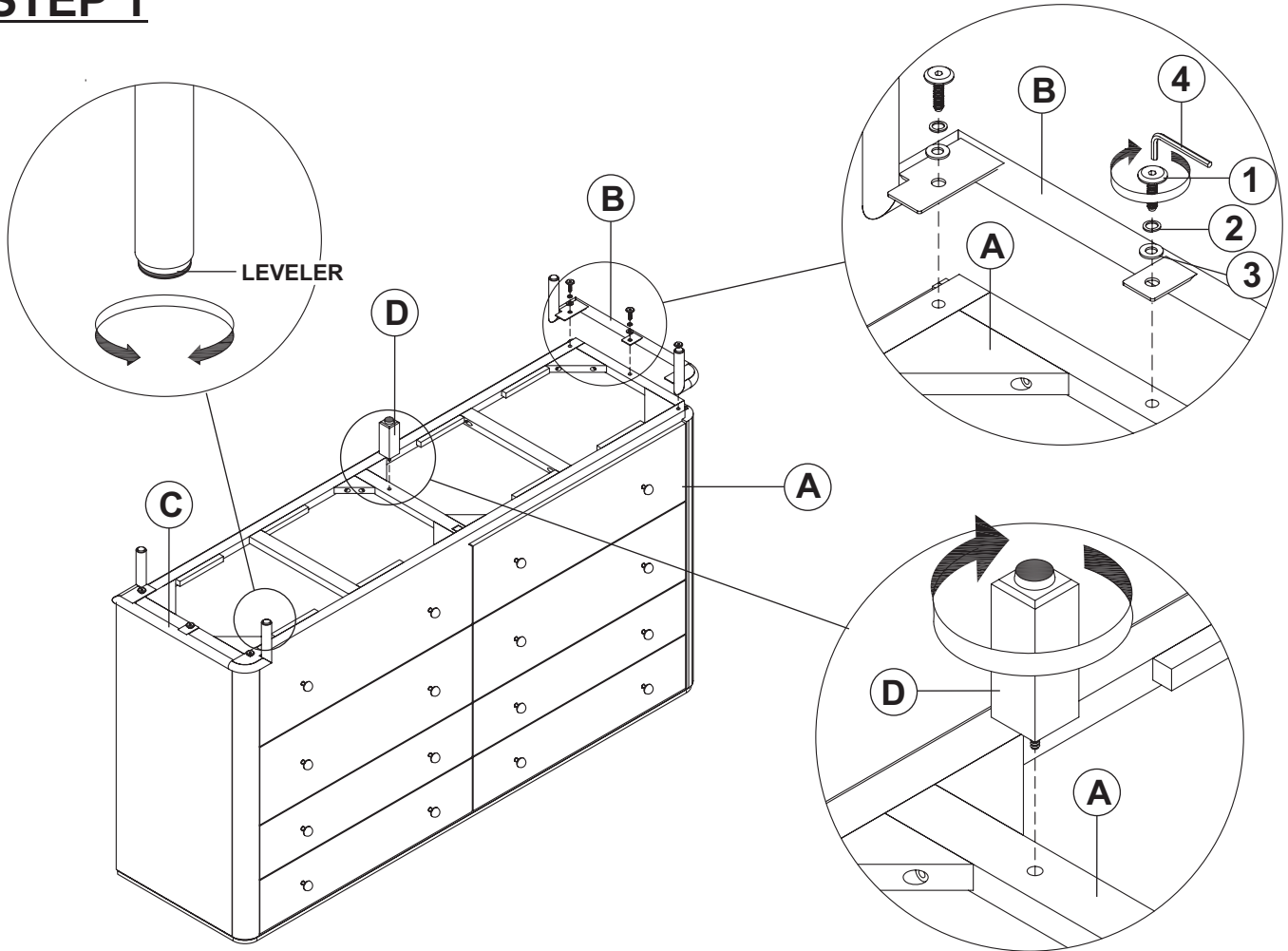
1PC

ITEM: **224333**

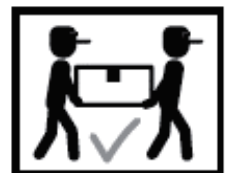
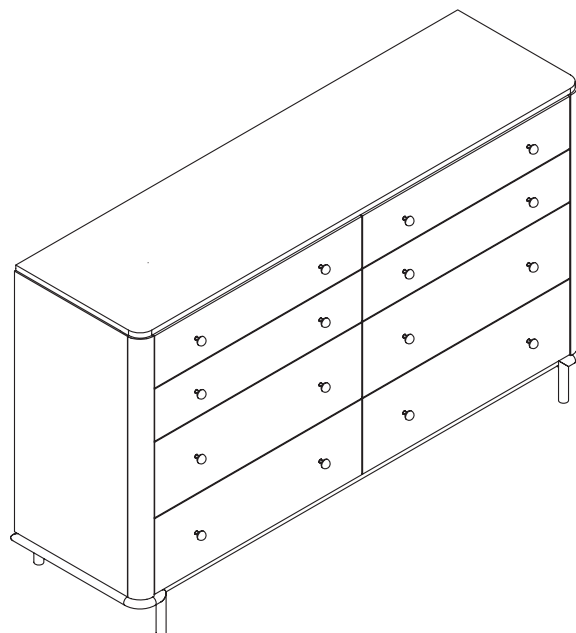
ASSEMBLY INSTRUCTIONS



STEP 1



STEP 2
COMPLETE



224333



ANTI-TIPPING INSTALLATION INSTRUCTIONS

FURNITURE TIPPING RESTRAINT

WARNING

Injury may result from tipping furniture.

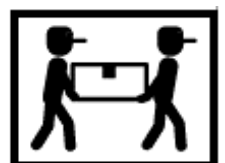
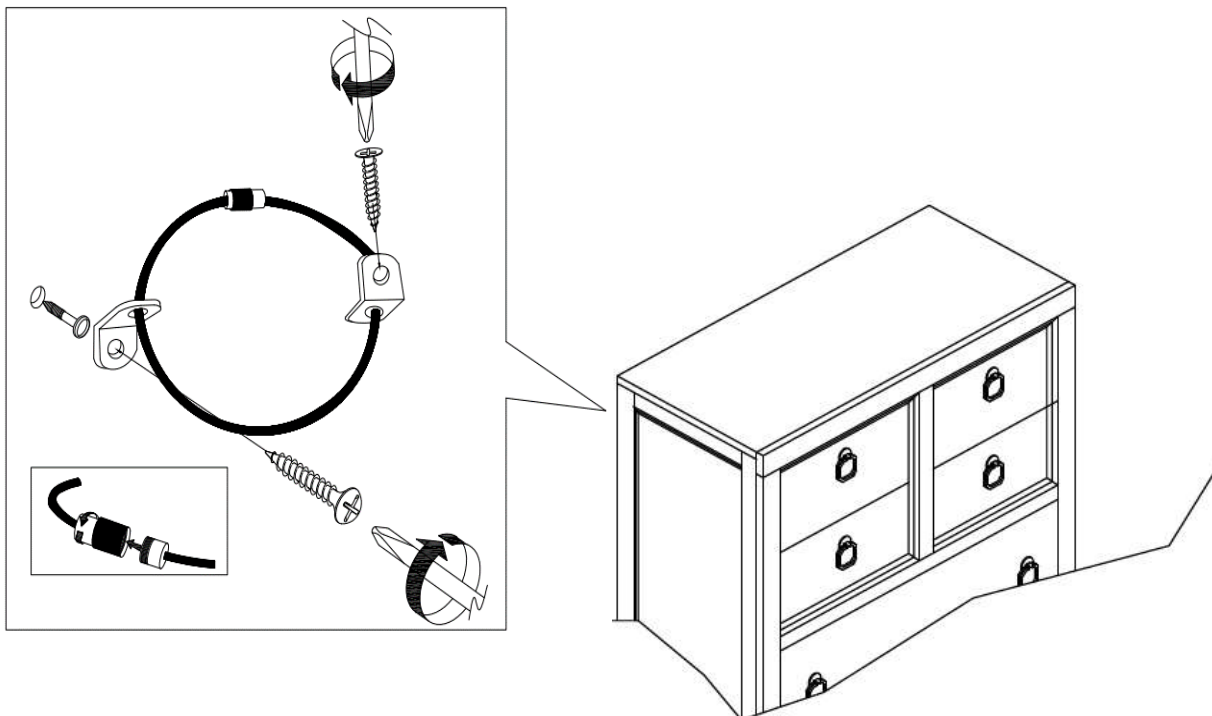
This restraint may protect against tipping furniture.

Do not allow children to climb on furniture.

This restraint is not a substitute for proper adult supervision.

Failure to detach this restraint before moving the furniture may result in injury and damage.

1. Attach one of the mounting brackets securely to the back edge of the unit, using the short screw.
2. Determine where the unit is to be placed, and mark the location on the wall for the other mounting bracket. The bracket on the wall needs to be approximately 2" below the bracket mounted to the edge of the unit.
3. Drill a hole in the wall. Insert the plastic wall anchor into the hole and if necessary, use a small block of wood and hammer to tap it in so that it's flush with the wall.
4. Attach the bracket over the plastic wall anchor using the long screw.
5. Place the unit against the wall, both brackets need to be facing each other.
6. Lace an end of the restraint strap through the hole in each bracket. Bring both ends together and rotate the thumb nut onto the threaded end until tight.
7. Ensure that the restraint strap is securely laced and locked.



*INSTRUCTIONS D'ASSEMBLAGE
COASTER FINE FURNITURE*



Fine Furniture for every stage of life

224334
Mirror

ITEM: 224334

ASSEMBLY INSTRUCTIONS

ASSEMBLY TIPS:

1. Remove hardware from box and sort by size.
2. Please check to see that all hardware and parts are present prior to start of assembly.
3. Please follow attached instructions in the same sequence as numbered to assure fast & easy assembly.



WARNING!

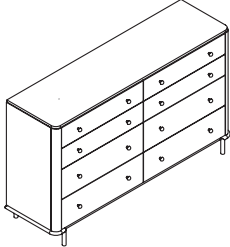

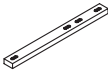
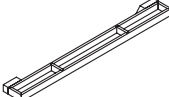
1. Don't attempt to repair or modify parts that are broken or defective. Please contact the store immediately.
2. This product is for home use only and not intended for commercial establishments.



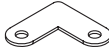





ASSEMBLY TIME

15 MINUTES

PART IDENTIFICATION

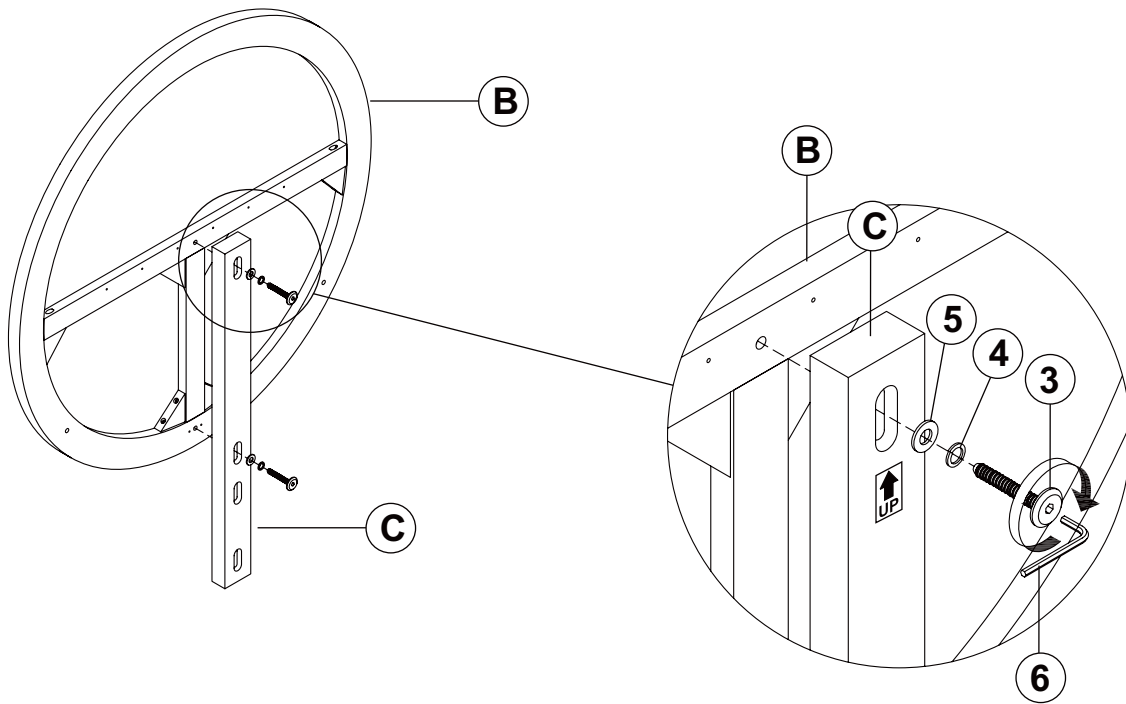
A	DRESSER *FROM BOX ITEM 224333*		1 PC
B	MIRROR		1 PC
C	MIRROR SUPPORT (PACKED WITH MIRROR)		1 PC
D	JEWELRY TRAY (PACKED WITH MIRROR)		1 PC

HARDWARE IDENTIFICATION

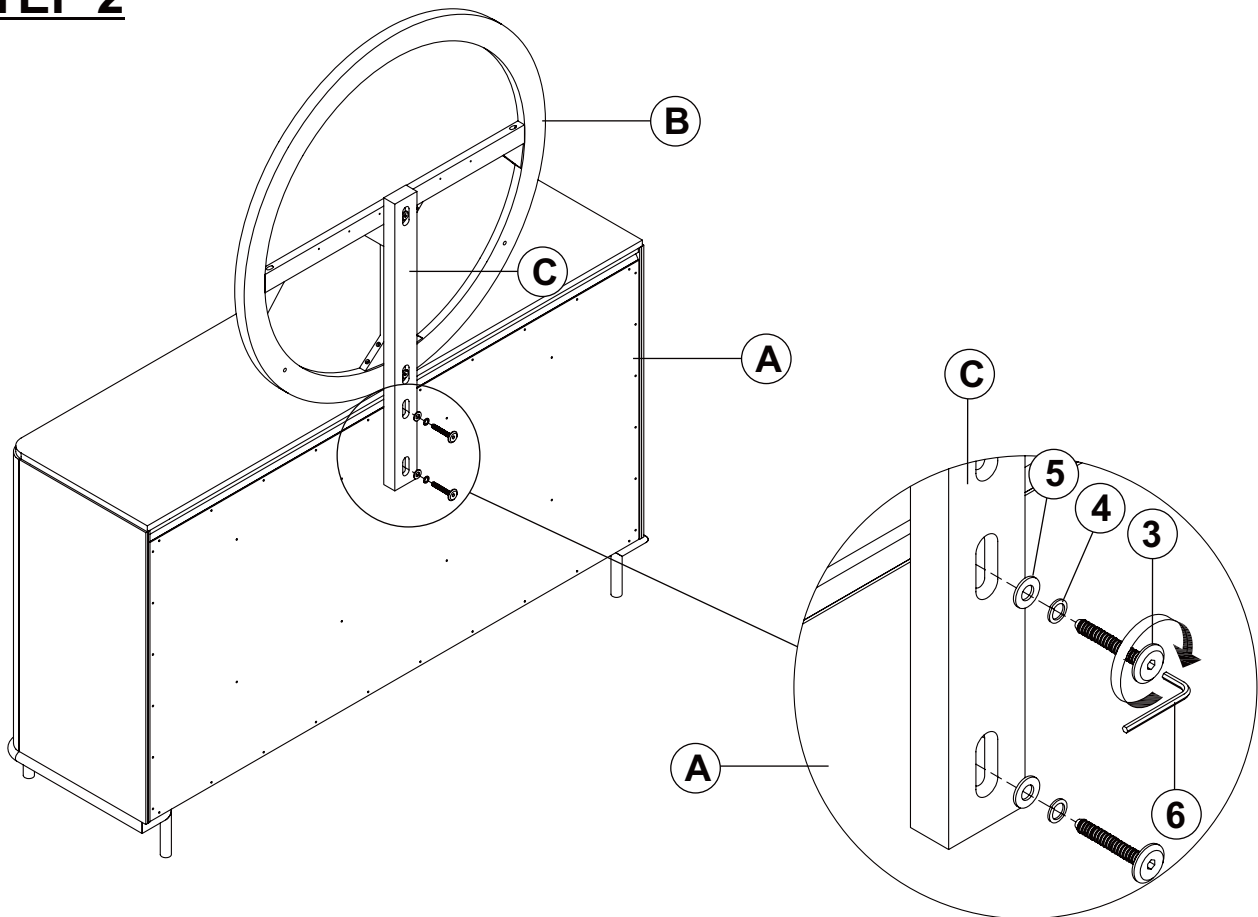
1	METAL CONNECTING MIRROR (2.5 x 65 x 65mm - BLK)		2 PCS
2	BOLT (M6 x 22mm - BLK)		4 PCS
3	BOLT (M6 x 45mm - BLK)		4 PCS
4	LOCK WASHER (1.6 x 14mm - BLK)		4 PCS
5	FLAT WASHER (1 x 18mm - BLK)		4 PCS
6	ALLEN WRENCH (M4 x 65mm - BLK)		1 PC

ITEM: **224334**
ASSEMBLY INSTRUCTIONS

STEP 1



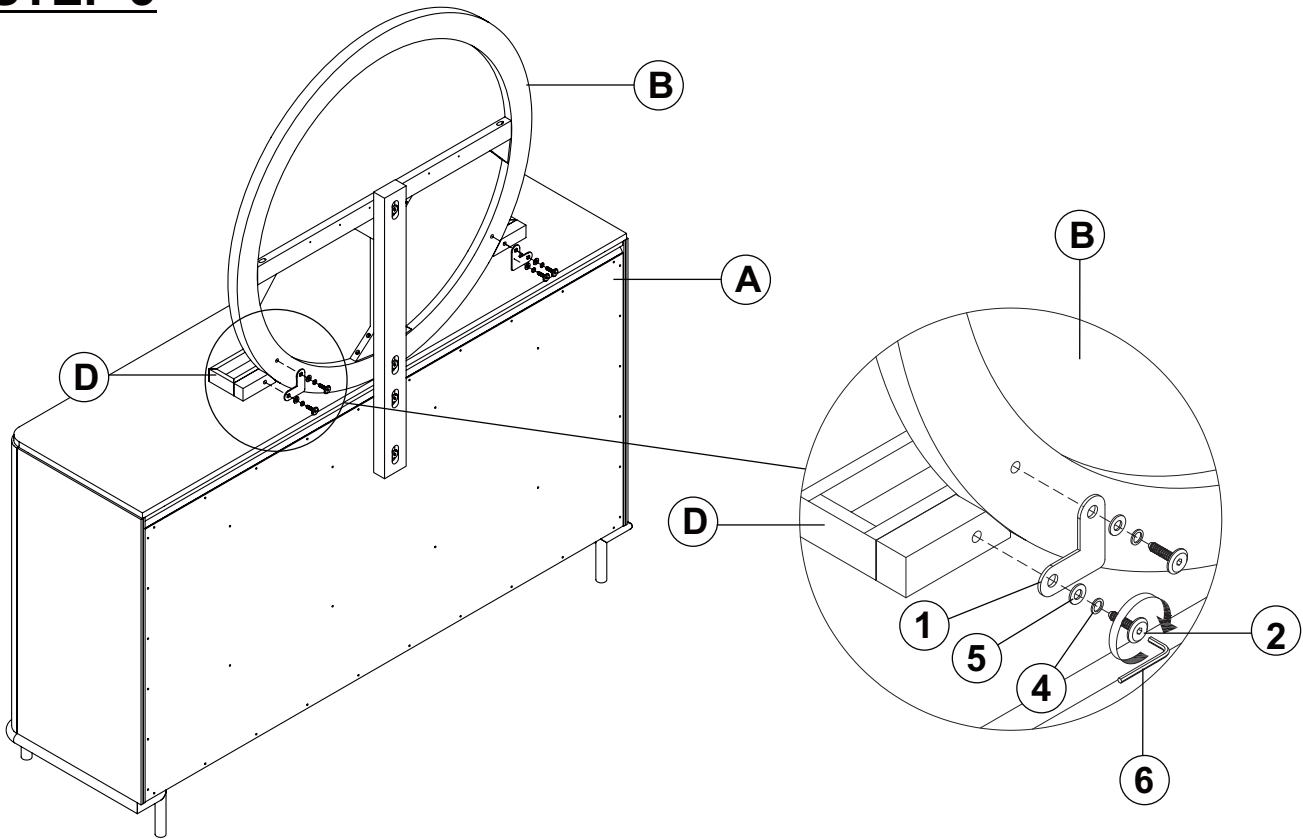
STEP 2



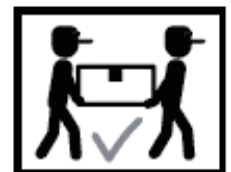
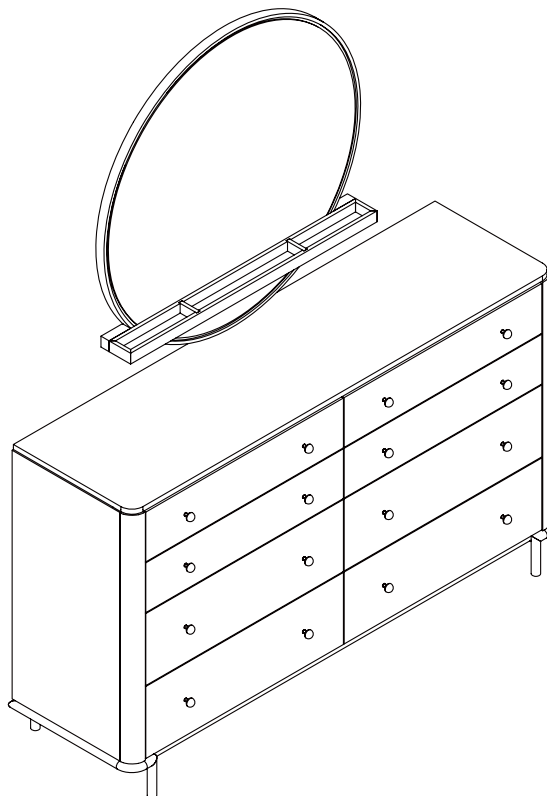
ITEM: **224334**
ASSEMBLY INSTRUCTIONS



STEP 3



STEP 4
COMPLETE



ITEM: **224334**



ASSEMBLY INSTRUCTIONS

ASSEMBLY TIPS:

1. Remove hardware from box and sort by size.
2. Please check to see that all hardware and parts are present prior to start of assembly.
3. Please follow attached instructions in the same sequence as numbered to assure fast & easy assembly.



WARNING!

1. Don't attempt to repair or modify parts that are broken or defective. Please contact the store immediately.
2. This product is for home use only and not intended for commercial establishments.



ASSEMBLY TIME

15 MINUTES

PART IDENTIFICATION

B MIRROR



1 PC

**E SHORT HANGING BAR
(PACKED WITH MIRROR)**



1 PC

**F LONG HANGING BAR
(PACKED WITH MIRROR)**



2 PCS

HARDWARE IDENTIFICATION

**7 FLAT HEAD SCREW
(8 x 1" - BLK)**



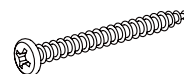
2 PCS

**8 SHORT PAN HEAD SCREW
(8 x 5/8" - BLK)**



6 PCS

**9 LONG PAN HEAD SCREW
(8 x 2" - BLK)**



6 PCS

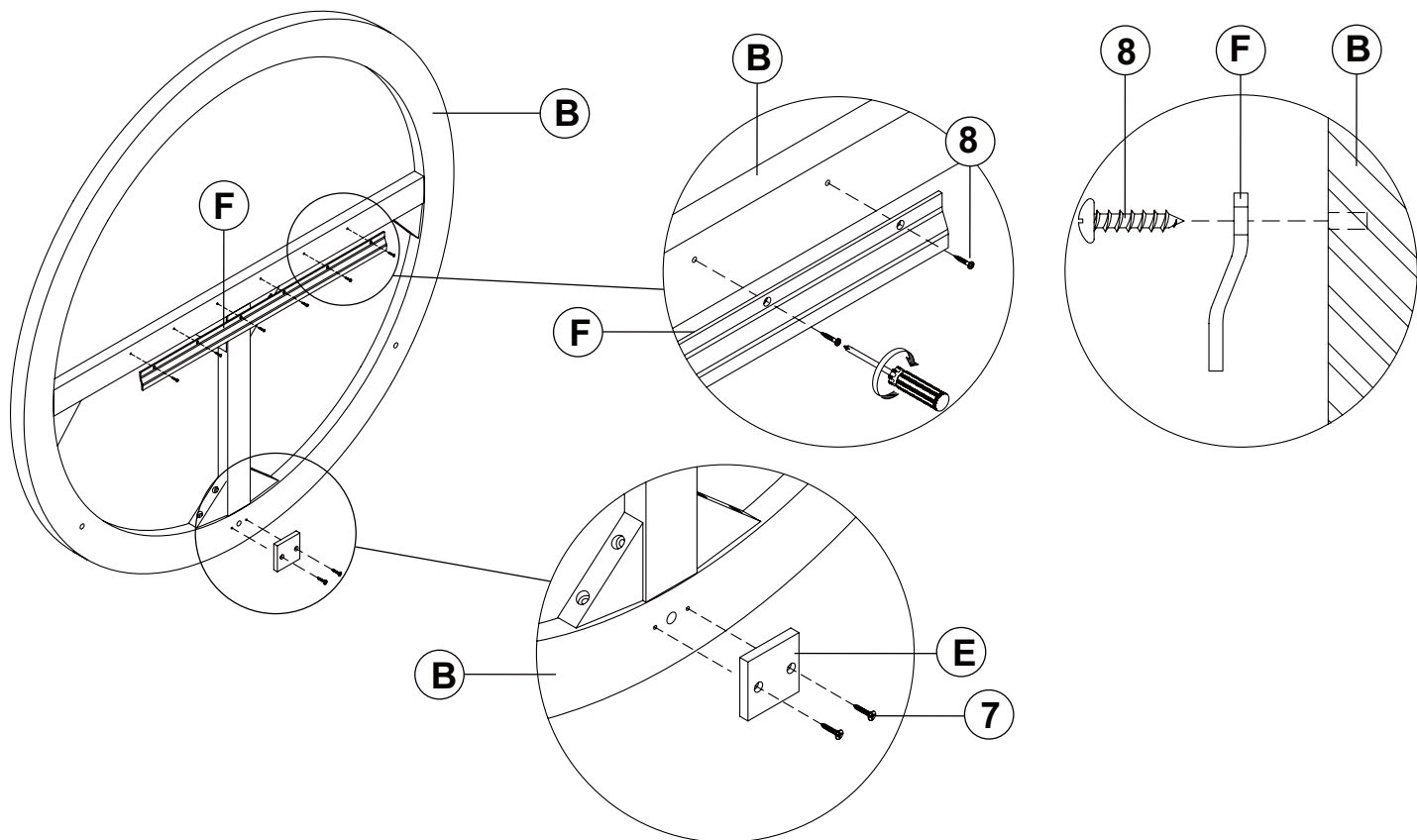
**10 PLASTIC ANCHOR
(S8 - GREY)**



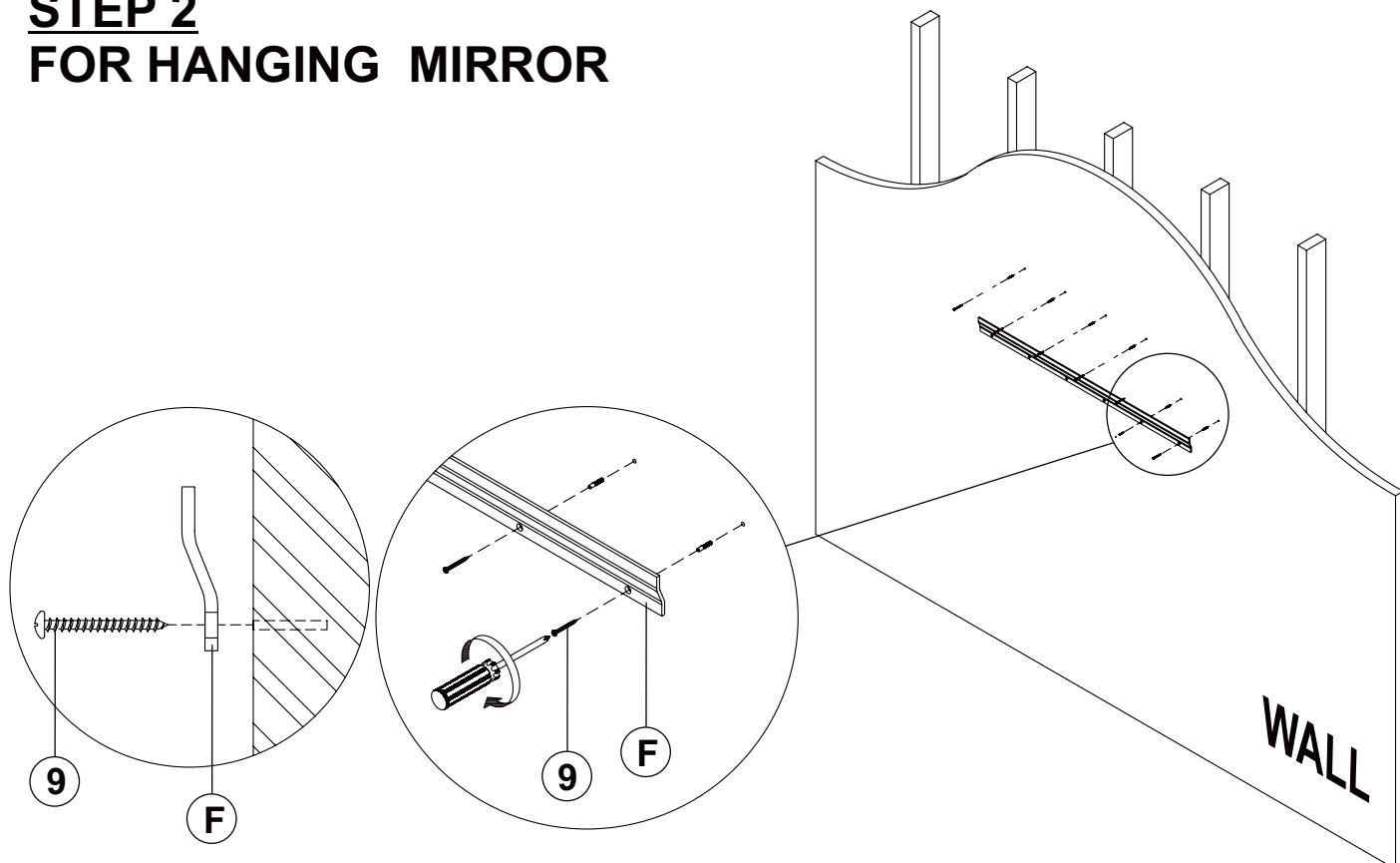
6 PCS

ITEM: **224334**
ASSEMBLY INSTRUCTIONS

STEP 1
FOR HANGING MIRROR



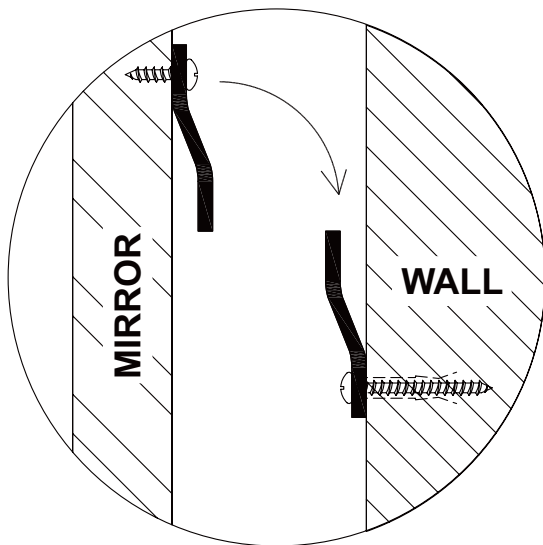
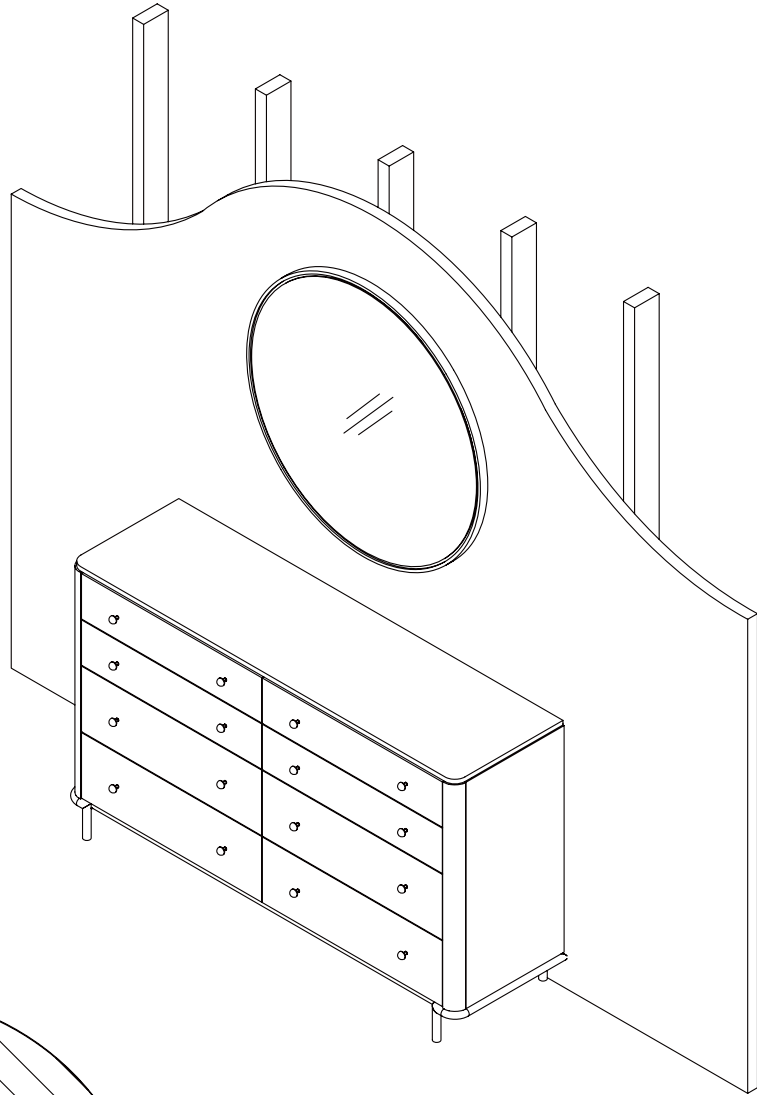
STEP 2
FOR HANGING MIRROR



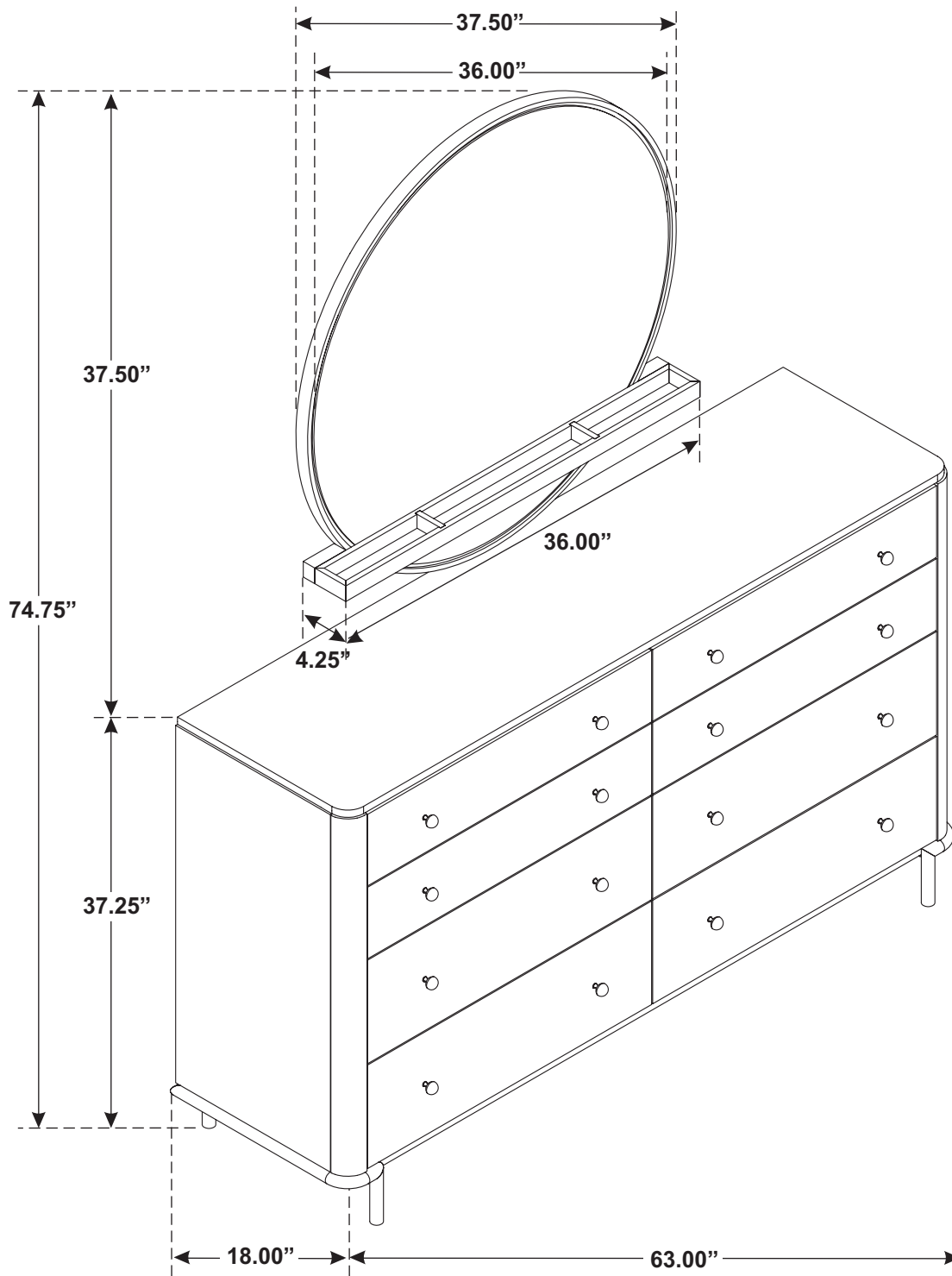
ITEM: **224334**
ASSEMBLY INSTRUCTIONS



STEP 3
FOR HANGING MIRROR
COMPLETE



ITEM: 224334



Note: Dimension tolerance $\pm 5\%$