



ASSEMBLY INSTRUCTIONS
COASTER FINE FURNITURE



Fine Furniture for every stage of life

601500P
Power Recliner

ITEM: 601500P



ASSEMBLY INSTRUCTIONS

ASSEMBLY TIPS:

1. Remove hardware from box and sort by size.
2. Please check to see that all hardware and parts are present prior to start of assembly.
3. Please follow attached instructions in the same sequence as numbered to assure fast & easy assembly.



WARNING!

1. Don't attempt to repair or modify parts that are broken or defective. Please contact the store immediately.
2. This product is for home use only and not intended for commercial establishments.



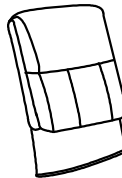
ASSEMBLY TIME

5 MINUTES

PARTS IDENTIFICATION

A

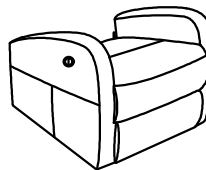
BACK



1PC

B

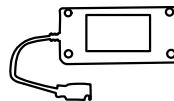
SEAT



1PC

C

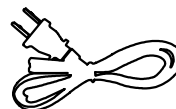
ADAPTOR



1PC

D

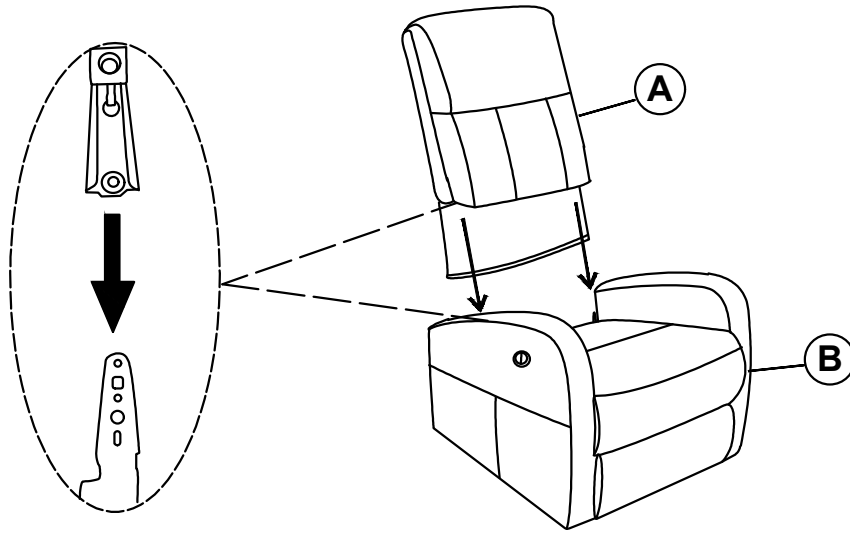
POWER CABLE



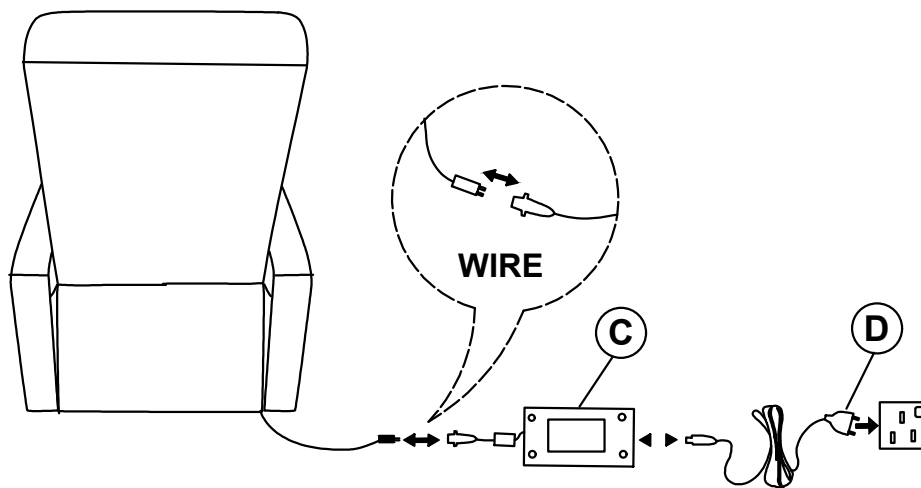
1PC

ITEM: **601500P**
ASSEMBLY INSTRUCTIONS

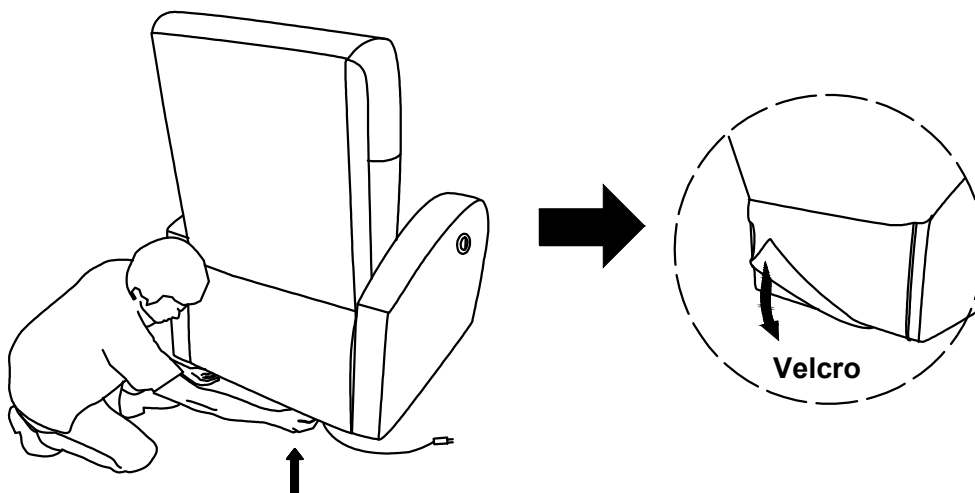
STEP 1



STEP 2



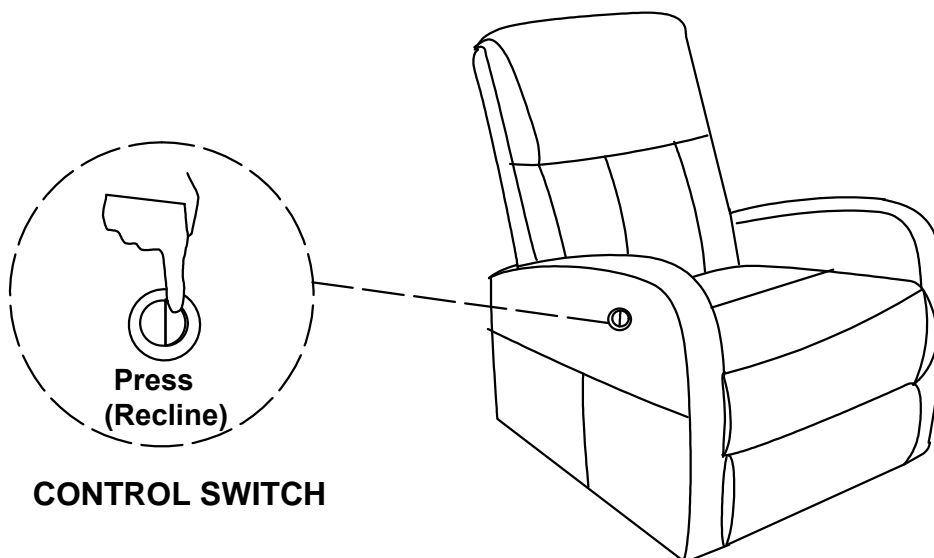
STEP 3



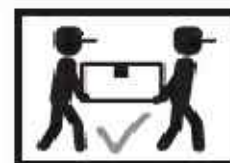
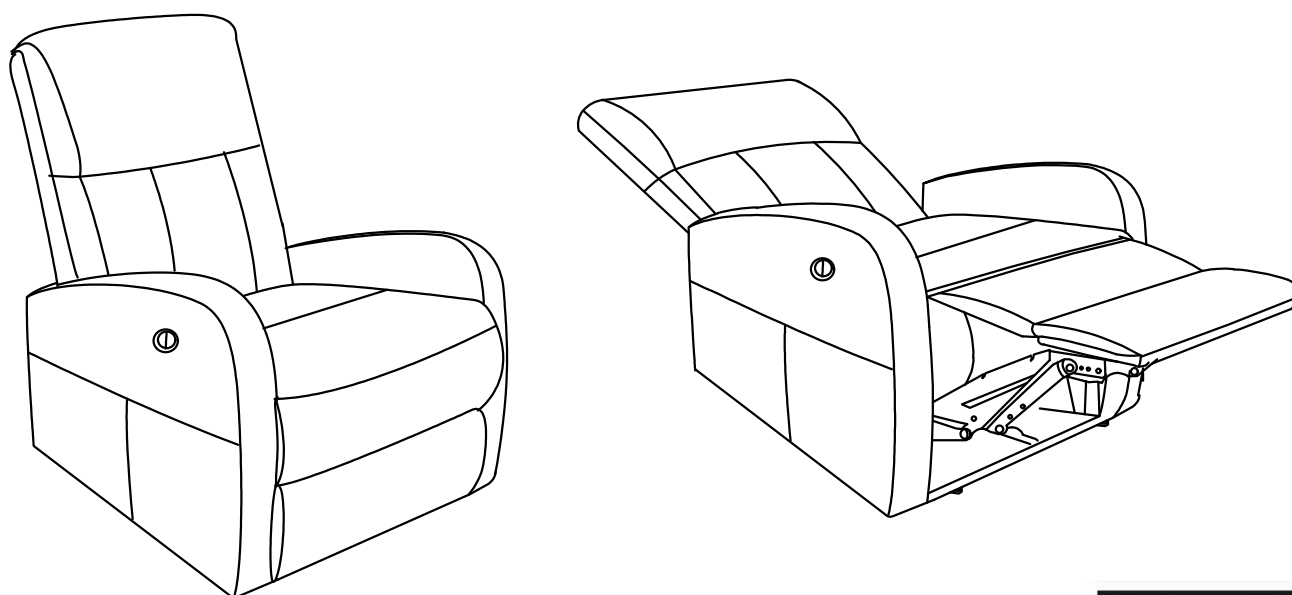
ITEM: **601500P**
ASSEMBLY INSTRUCTIONS



STEP 4

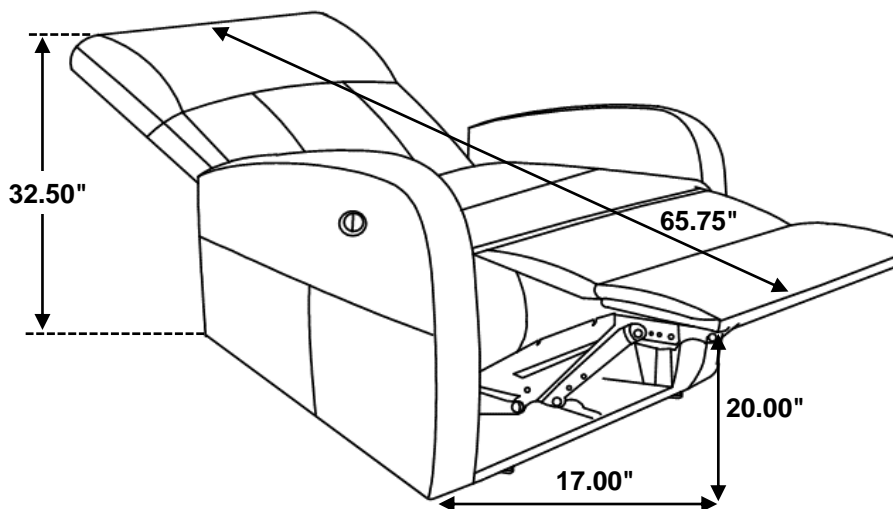
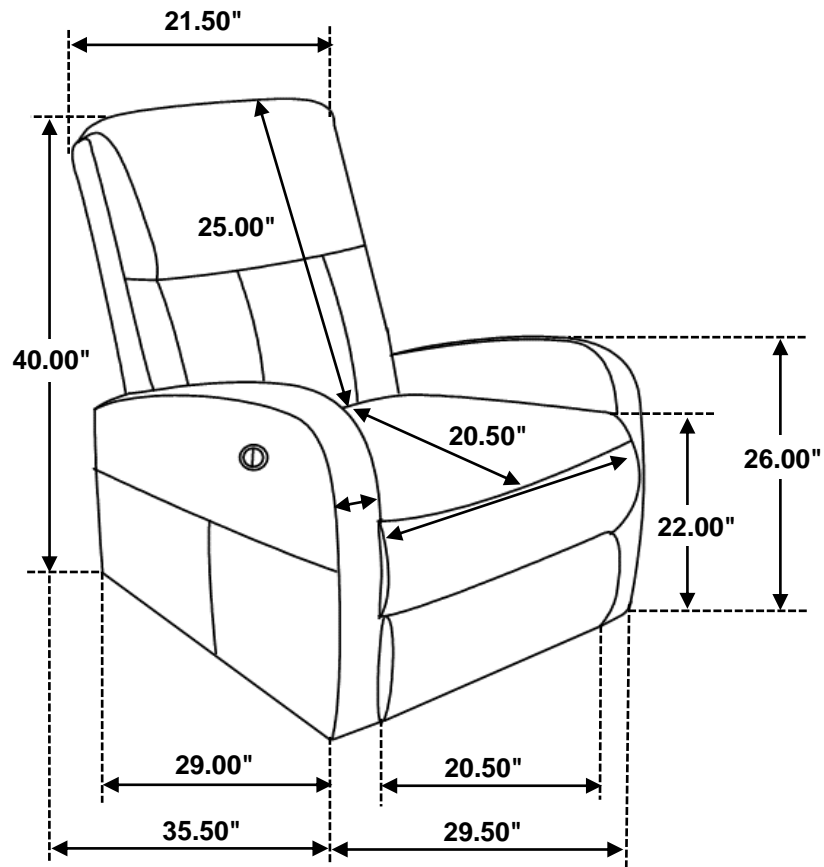


STEP 5
COMPLETE



ITEM: **601500P**

COASTER
FINE FURNITURE



Note: Dimension tolerance $\pm 5\%$