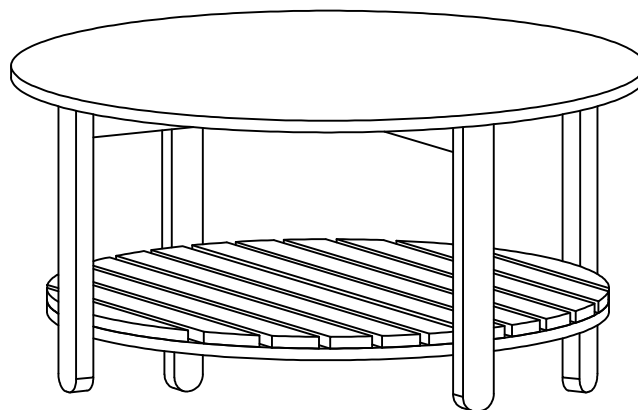


ASSEMBLY INSTRUCTIONS
COASTER FINE FURNITURE



Fine Furniture for every stage of life

710288
Coffee Table

ITEM: 710288



ASSEMBLY INSTRUCTIONS

ASSEMBLY TIPS:

1. Remove hardware from box and sort by size.
2. Please check to see that all hardware and parts are present prior to start of assembly.
3. Please follow attached instructions in the same sequence as numbered to assure fast & easy assembly.



Warning ! !

1. Don't attempt to repair or modify parts that are broken or defective. Please contact the store immediately.
2. This product is for home use only and not intended for commercial establishment.

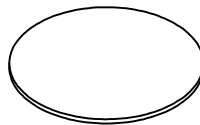


ASSEMBLY TIME

30 MINUTES

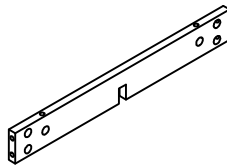
PARTS IDENTIFICATION

A TOP



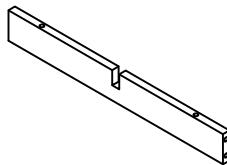
1 PC

B UPPER CROSSBAR



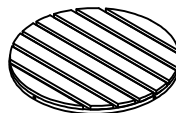
1 PC

C LOWER CROSSBAR



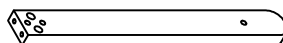
1 PC

D SHELF



1 PC

E LEG






4 PCS

NOTE:

Phillips head screw driver is required in the assembly process; however, manufacturer does not provide this item.

ITEM: 710288

HARDWARE IDENTIFICATION

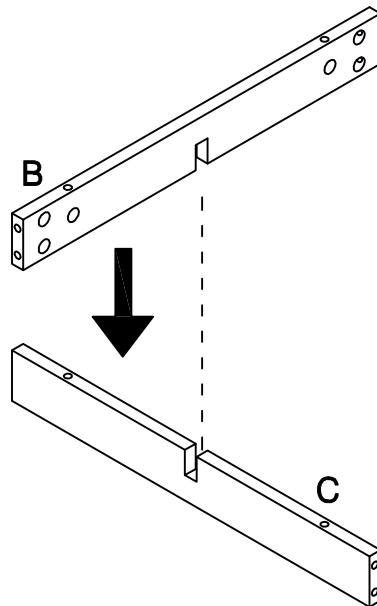
1	LARGE CAMBOLT ($\phi 7 \times 29\text{mm}$ -RBW)		24pcs
2	LARGE CAMBOLT ($\phi 15 \times 12\text{mm}$ -RBW)		24pcs
3	STICKER ($\phi 20 \text{ mm}$ -RBW)		24pcs

NOTE:

Phillips head screw driver is required in the assembly process; however, manufacturer does not provide this item.

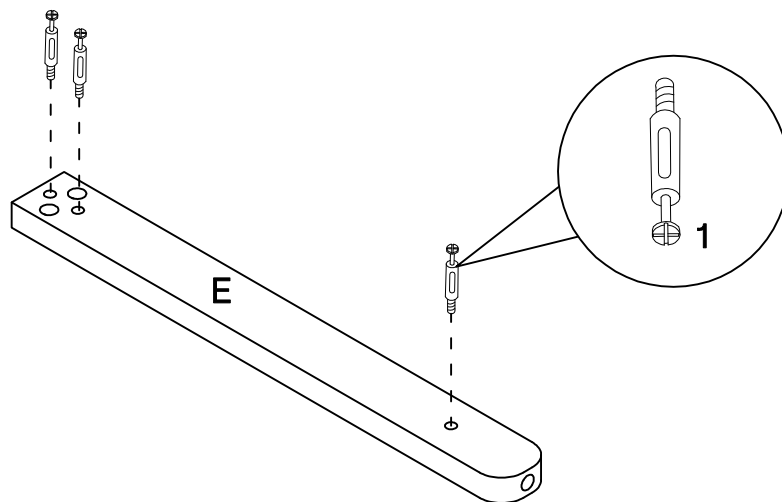
ITEM: 710288

ASSEMBLY INSTRUCTIONS
STEP 1



STEP 2

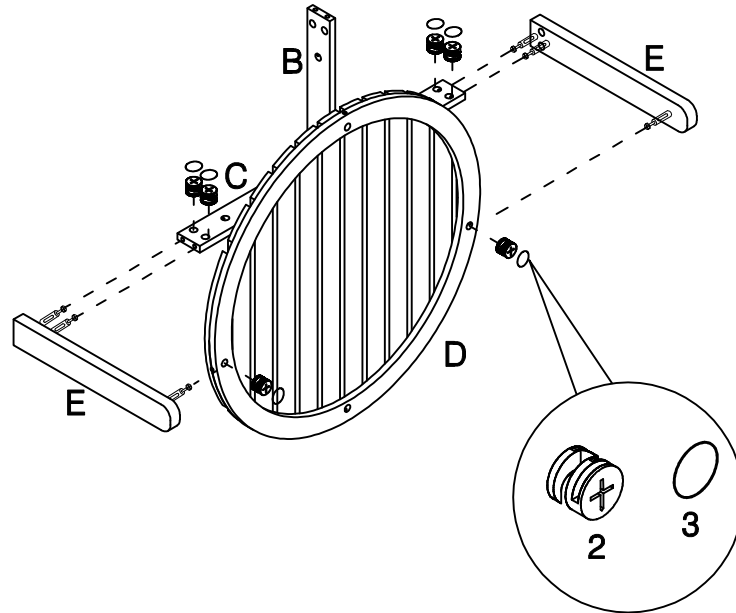
x 4



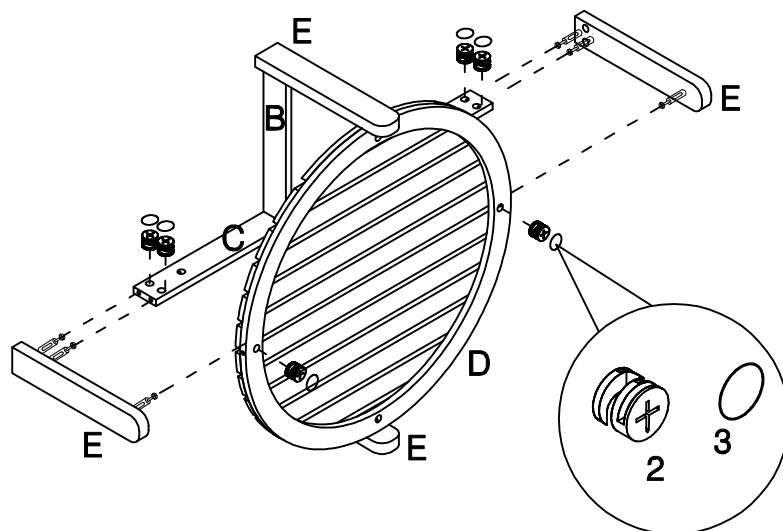
ITEM: 710288



ASSEMBLY INSTRUCTIONS
STEP 3

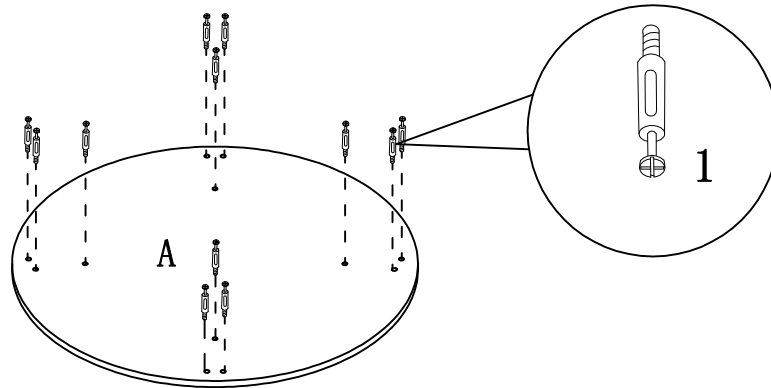


STEP 4

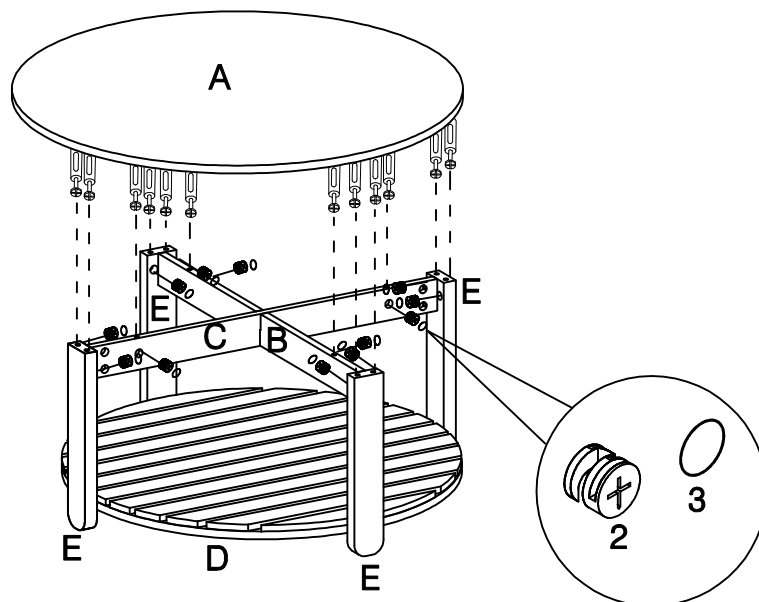


ITEM: 710288

ASSEMBLY INSTRUCTIONS
STEP 5



STEP 6



ITEM: 710288



DIMENSION

