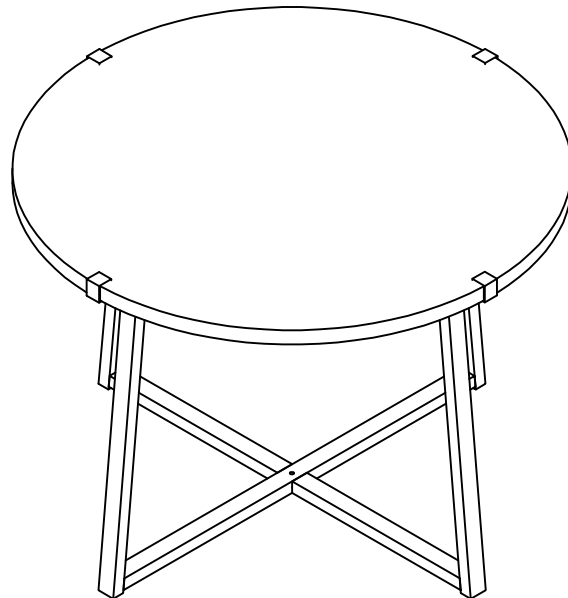


ASSEMBLY INSTRUCTIONS
COASTER FINE FURNITURE



Fine Furniture for every stage of life

710298
Coffee Table

ITEM: 710298



ASSEMBLY INSTRUCTIONS

ASSEMBLY TIPS:

1. Remove hardware from box and sort by size.
2. Please check to see that all hardware and parts are present prior to start of assembly.
3. Please follow attached instructions in the same sequence as numbered to assure fast & easy assembly.



Warning ! !

1. Don't attempt to repair or modify parts that are broken or defective. Please contact the store immediately.
2. This product is for home use only and not intended for commercial establishment.

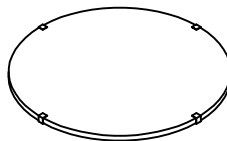


ASSEMBLY TIME

30 MINUTES

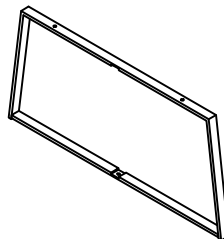
PARTS IDENTIFICATION

A TOP



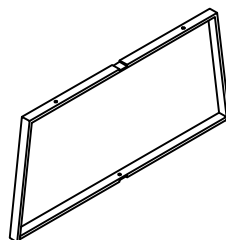
1 PC

B OUTER LEG FRAME



1 PC

C INNER LEG FRAME



1 PC




NOTE:

Phillips head screw driver is required in the assembly process; however, manufacturer does not provide this item.

ITEM: 710298



HARDWARE IDENTIFICATION

1	CROSS SCREW ($\phi 6$ x 20mm-RBW)		4pcs
2	CROSS SCREW ($\phi 6$ x 12mm-RBW)		1pc
3	GROMMET ($\phi 16$ x $\phi 8$ x 2mm-RBW)		4pcs

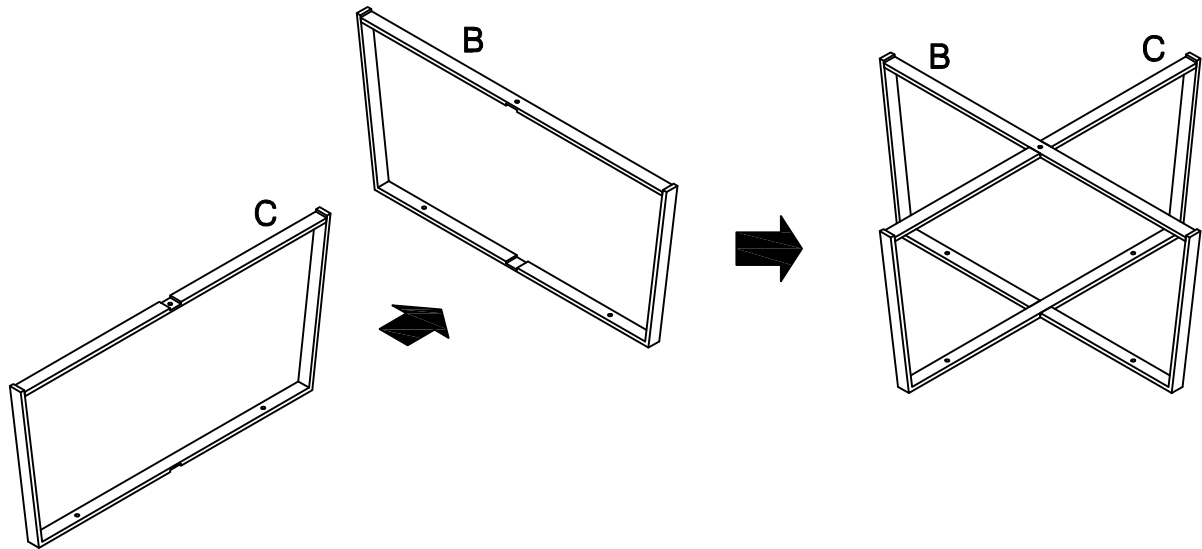
NOTE:

Phillips head screw driver is required in the assembly process; however, manufacturer does not provide this item.

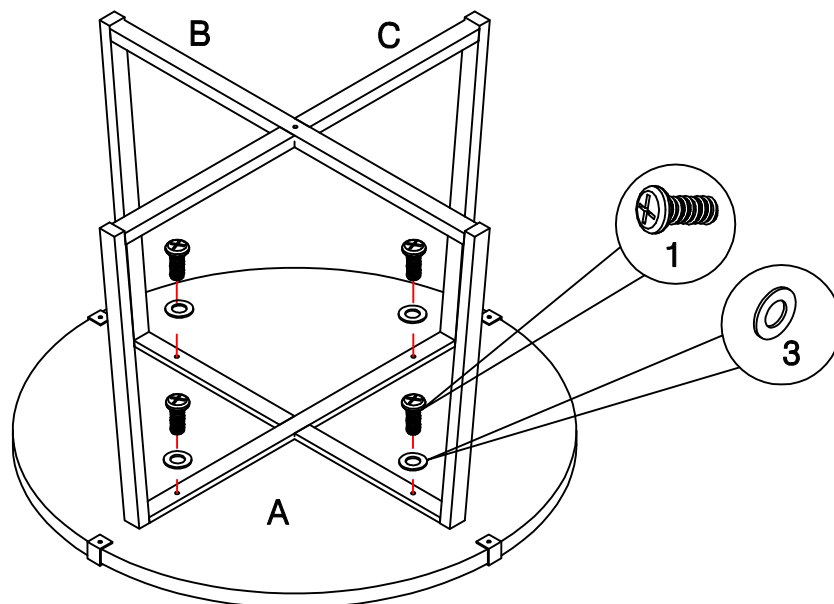
ITEM: 710298



ASSEMBLY INSTRUCTIONS
STEP 1



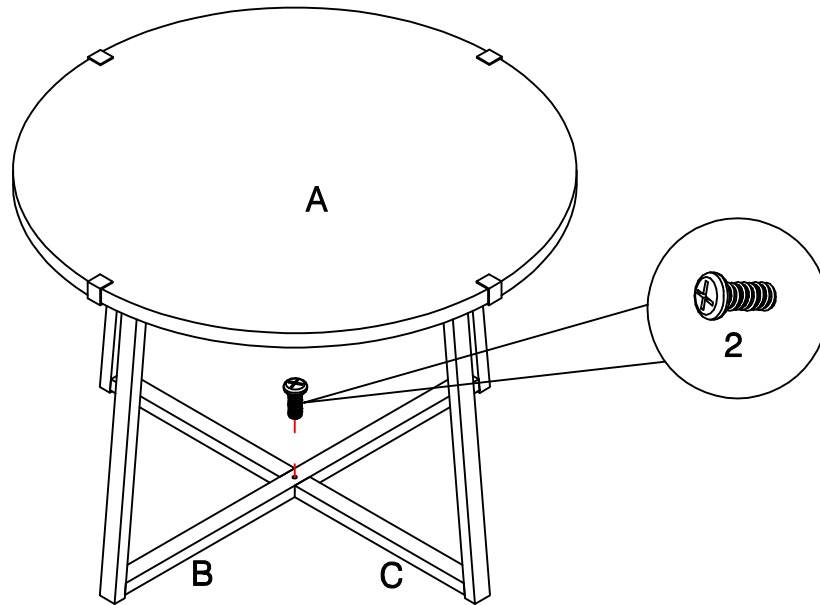
STEP 2



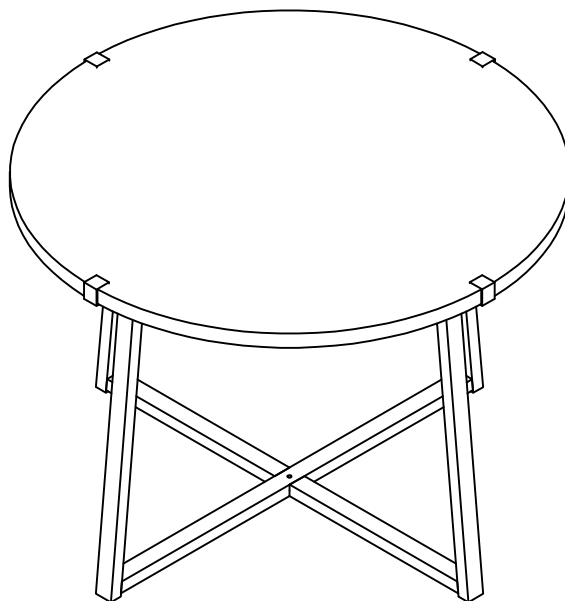
ITEM: 710298



ASSEMBLY INSTRUCTIONS
STEP 3



STEP 4



ITEM: 710298



DIMENSION

