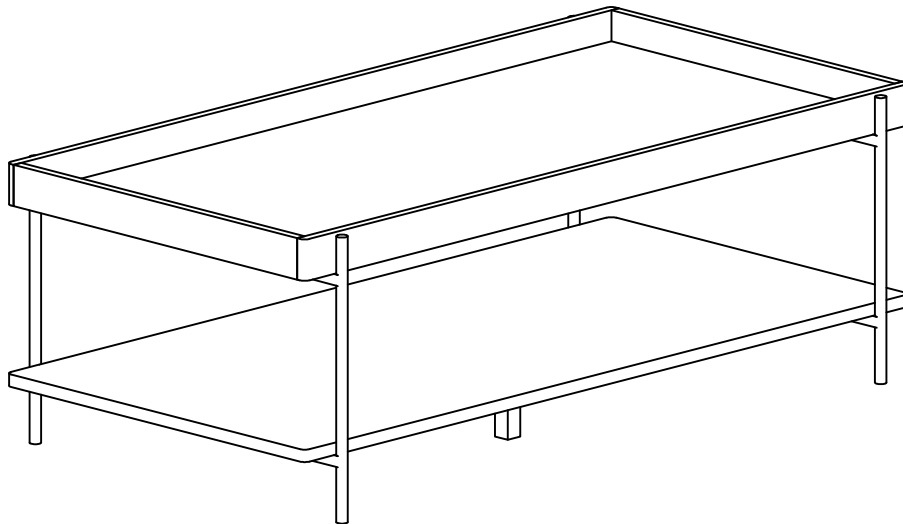


ASSEMBLY INSTRUCTIONS
COASTER FINE FURNITURE



Fine Furniture for every stage of life

710308
Coffee Table

ITEM: 710308



ASSEMBLY INSTRUCTIONS

ASSEMBLY TIPS:

1. Remove hardware from box and sort by size.
2. Please check to see that all hardware and parts are present prior to start of assembly.
3. Please follow attached instructions in the same sequence as numbered to assure fast & easy assembly.



Warning ! !

1. Don't attempt to repair or modify parts that are broken or defective. Please contact the store immediately.
2. This product is for home use only and not intended for commercial establishment.

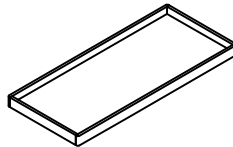


ASSEMBLY TIME

30 MINUTES

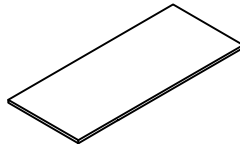
PARTS IDENTIFICATION

A TOP



1 PC

B SHELF



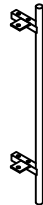
1 PC

C LEFT LEG



2 PCS

D RIGHT LEG



2 PCS

E MIDDLE LEG



1 PC




NOTE:

Phillips head screw driver is required in the assembly process; however, manufacturer does not provide this item.

ITEM: 710308



HARDWARE IDENTIFICATION

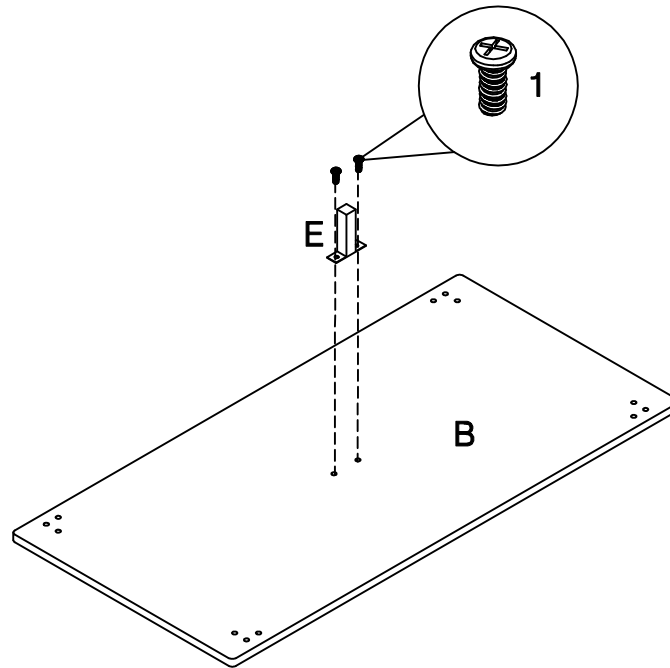
1	CROSS SCREW (\varnothing 6 x 12mm-RBW)		10pcs
2	CROSS SCREW (\varnothing 6 x 25mm-RBW)		16pcs
3	PIPE PLUG (\varnothing 16 x 13mm-RBW)		4pcs

NOTE:

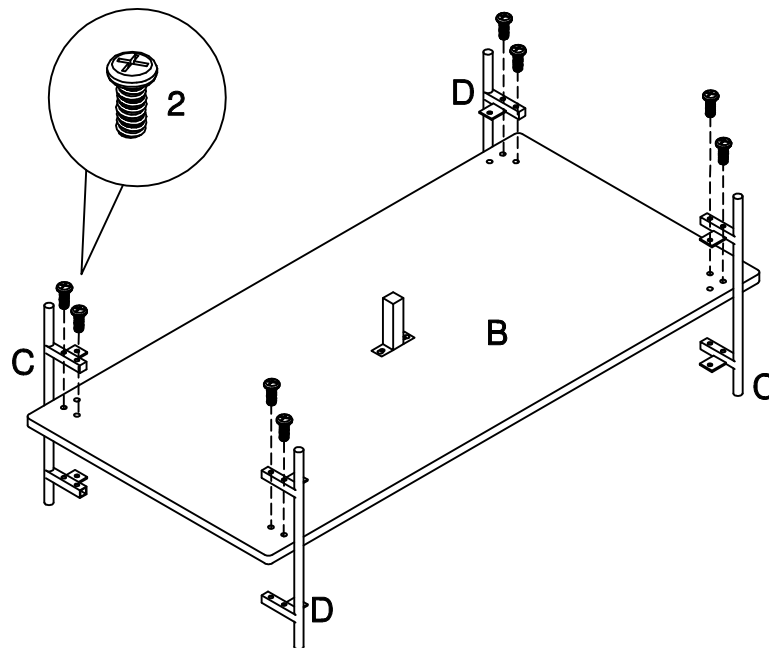
Phillips head screw driver is required in the assembly process; however, manufacturer does not provide this item.

ITEM: 710308

ASSEMBLY INSTRUCTIONS
STEP 1



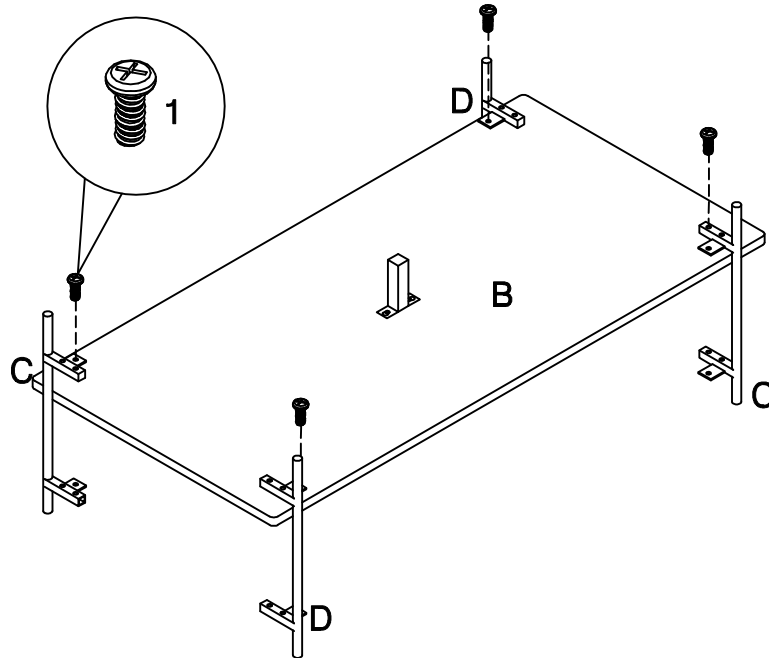
STEP 2



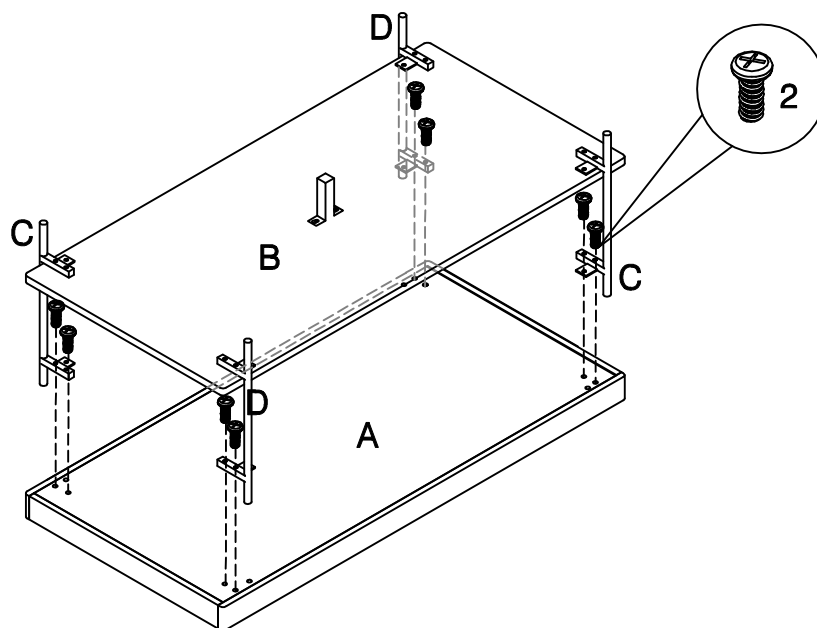
ITEM: 710308



ASSEMBLY INSTRUCTIONS
STEP 3



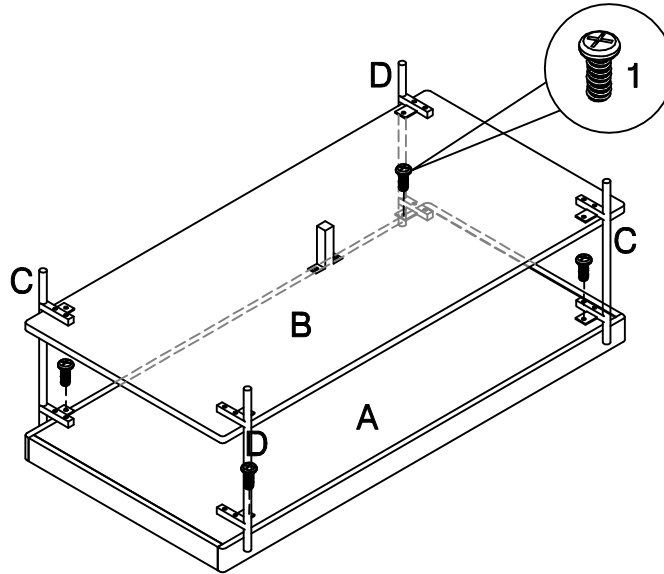
STEP 4



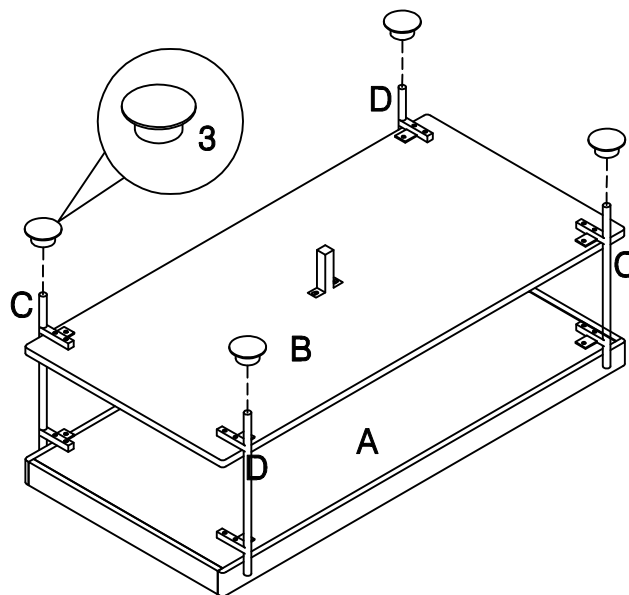
ITEM: 710308



ASSEMBLY INSTRUCTIONS
STEP 5



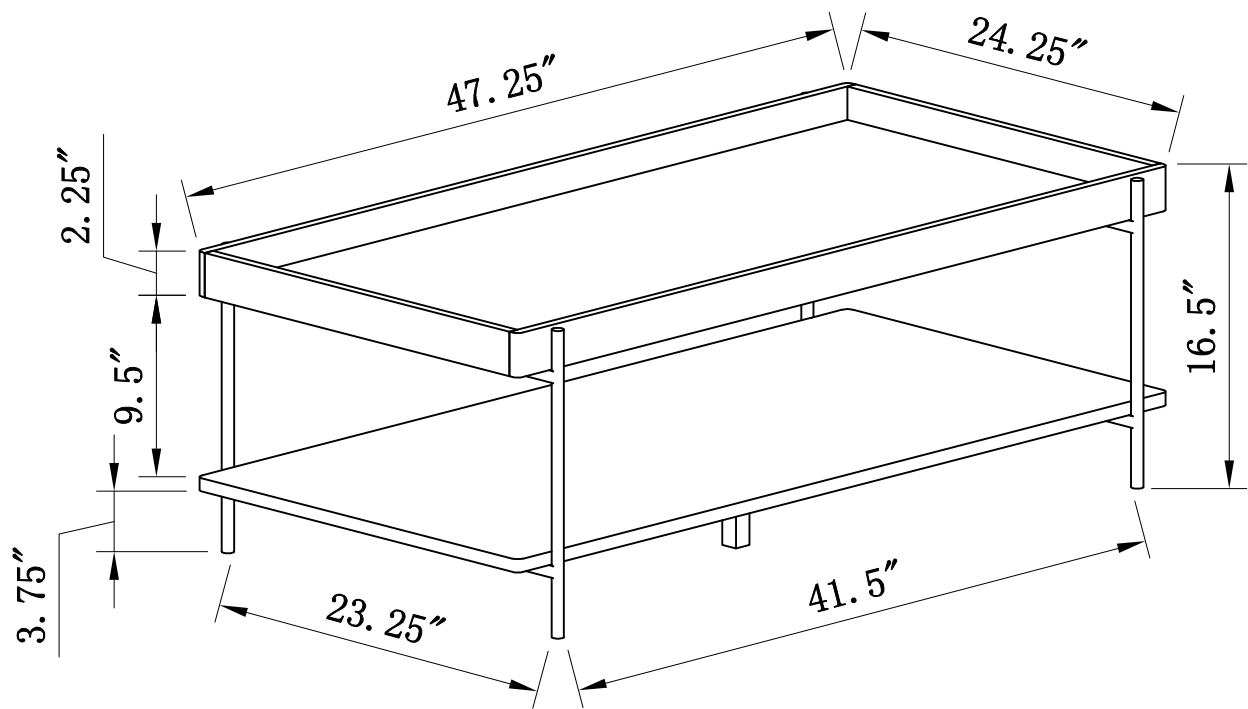
STEP 6



ITEM: 710308



DIMENSION



Note: Dimension tolerance $\pm 5\%$