



# ASSEMBLY INSTRUCTIONS COASTER FINE FURNITURE



## 108531 DINING TABLE

REVISION 0:04/24/2024

PAGE 1 OF 4

COASTERFURNITURE.COM

# ITEM:108531



## ASSEMBLY INSTRUCTIONS

### ASSEMBLY TIPS:

1. Remove hardware from box and sort by size.
2. Please check to see that all hardware and parts are present prior to start of assembly.
3. Please follow attached instructions in the same sequence as numbered to assure fast & easy assembly.



### WARNING!

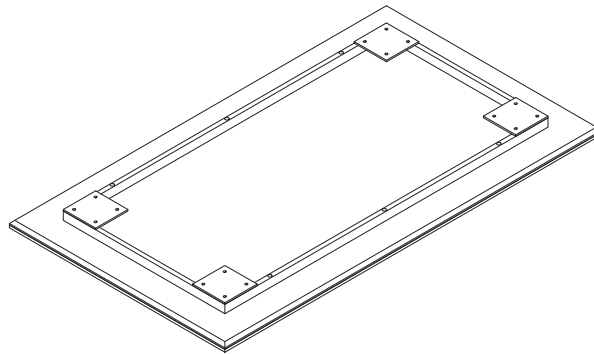
1. Don't attempt to repair or modify parts that are broken or defective. Please contact the store immediately.
2. This product is for home use only and not intended for commercial establishments.

**ASSEMBLY TIME**

**5 MINUTES**

B1 : TOP

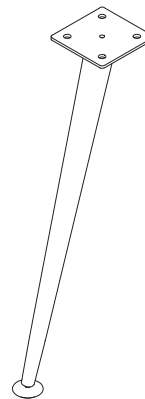
A TOP



1PC

B2 : BASE

B LEG



4PCS

Z HARDWARE IDENTIFICATION			
NO	DESCRIPTION	FIGURE	QTY
1	BOLT (M8 × 12mm - BLK)		16PCS
2	FLAT WASHER		16PCS
3	ALLEN WRENCH (M5 - BLK)		1PC

### NOTE:

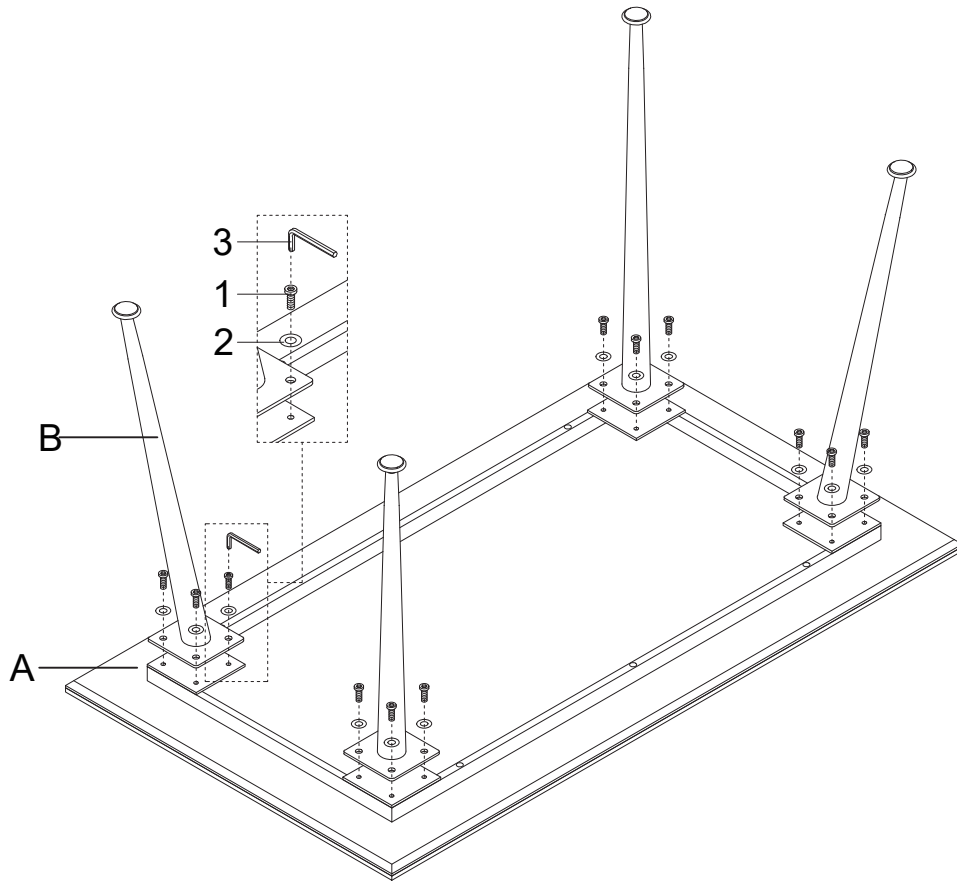
Hardware pack is located in 108531B2

ITEM:108531

ASSEMBLY INSTRUCTIONS



STEP 1



COASTERFURNITURE.COM

