



ASSEMBLY INSTRUCTIONS
COASTER FINE FURNITURE



108532
SIDE CHAIR

ITEM:108532



ASSEMBLY INSTRUCTIONS

ASSEMBLY TIPS:

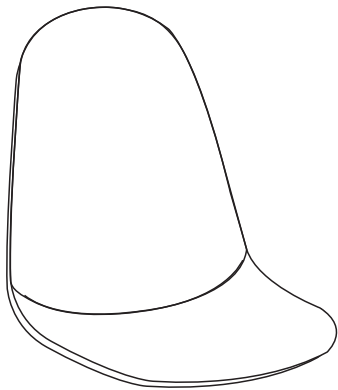
1. Remove hardware from box and sort by size.
2. Please check to see that all hardware and parts are present prior to start of assembly.
3. Please follow attached instructions in the same sequence as numbered to assure fast & easy assembly.



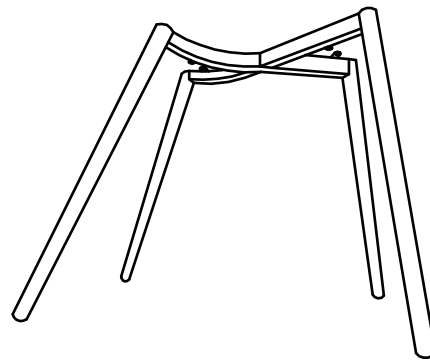
WARNING!

1. Don't attempt to repair or modify parts that are broken or defective. Please contact the store immediately.
2. This product is for home use only and not intended for commercial establishments.

ASSEMBLY TIME **5 MINUTES**



A SEAT AND BACK 1PC



B BASE 1PC

| Z HARDWARE IDENTIFICATION | | | |
|---------------------------|----------------------------|--------|------|
| NO | DESCRIPTION | FIGURE | QTY |
| 1 | BOLT (M6 × 16mm - BLK) | | 4PCS |
| 2 | FLAT WASHER | | 4PCS |
| 3 | ALLEN WRENCH (M5 - BLK) | | 1PC |

NOTE:

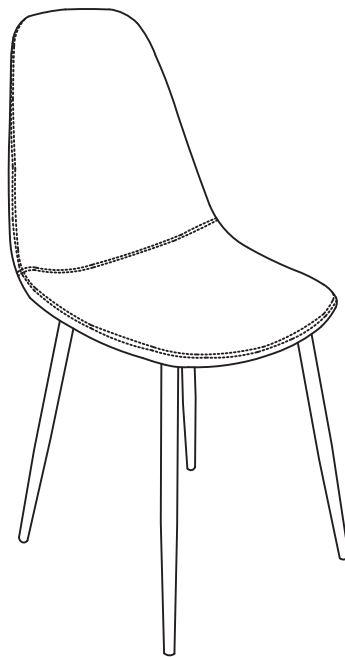
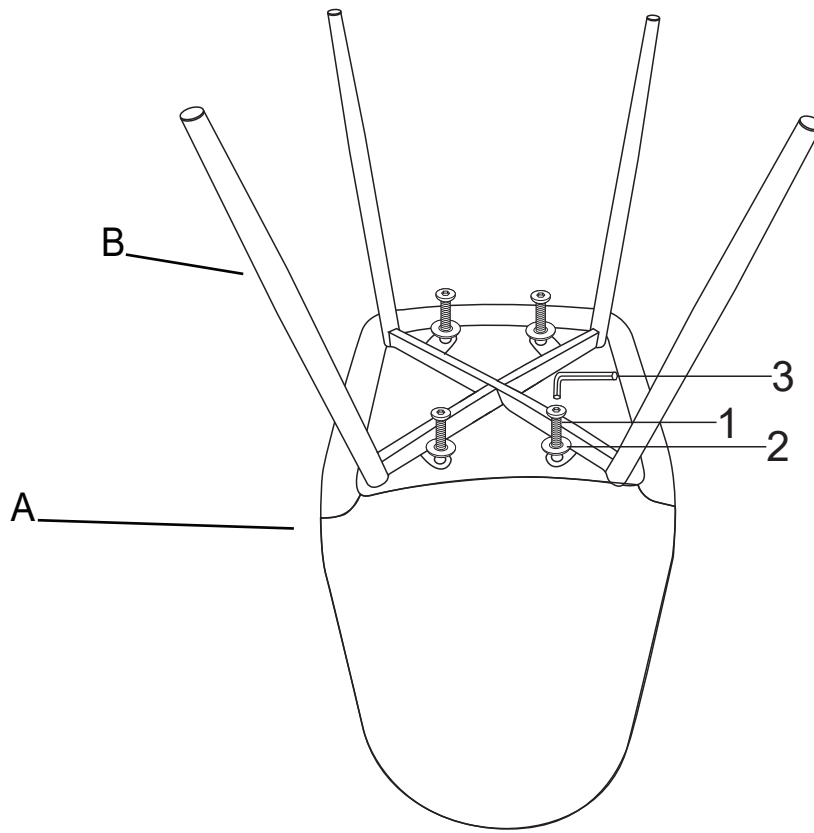
Quantities shown are for one chair.

ITEM:108532

ASSEMBLY INSTRUCTIONS



STEP 1



COASTERFURNITURE.COM

ITEM:108532

ASSEMBLY INSTRUCTIONS

