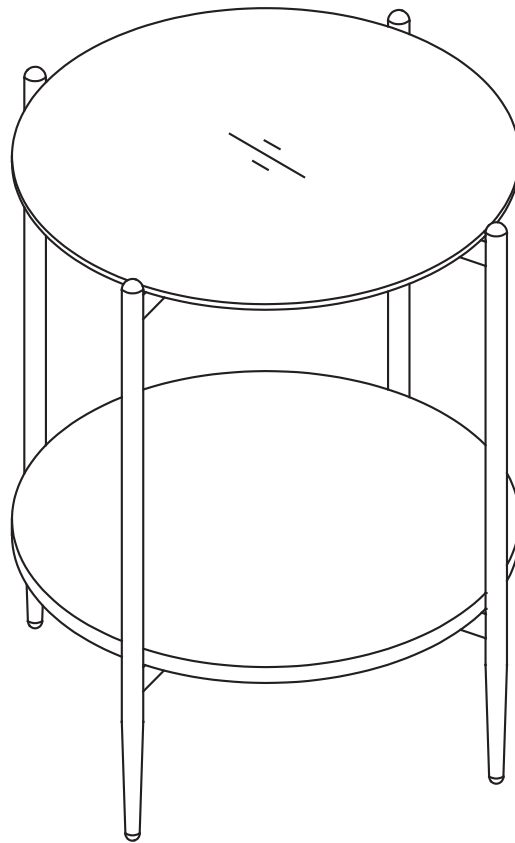


**ASSEMBLY INSTRUCTIONS**  
**COASTER FINE FURNITURE**



*Fine Furniture for every stage of life*

**710337**  
**End Table**

REVISION 0 : 05/06/2024

ITEM: 710337

## ASSEMBLY INSTRUCTIONS

### ASSEMBLY TIPS:

- 1.Remove hardware from box and sort by size.
- 2.Please check to see that all hardware and parts are present prior to start of assembly.
- 3.Please follow attached instructions in the same sequence as numbered to assure fast & easy assembly.



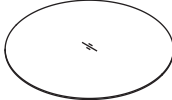
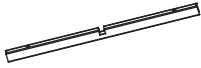
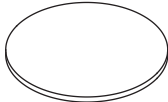
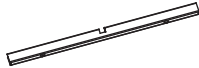
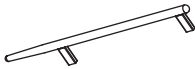
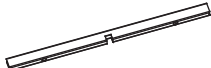
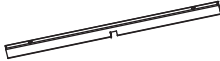
#### WARNING!

1. Don't attempt to repair or modify parts that are broken or defective. Please contact the store immediately.
- 2.This product is for home use only and not intended for commercial establishments.

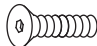




**ASSEMBLY TIME**

**30 MINUTES**

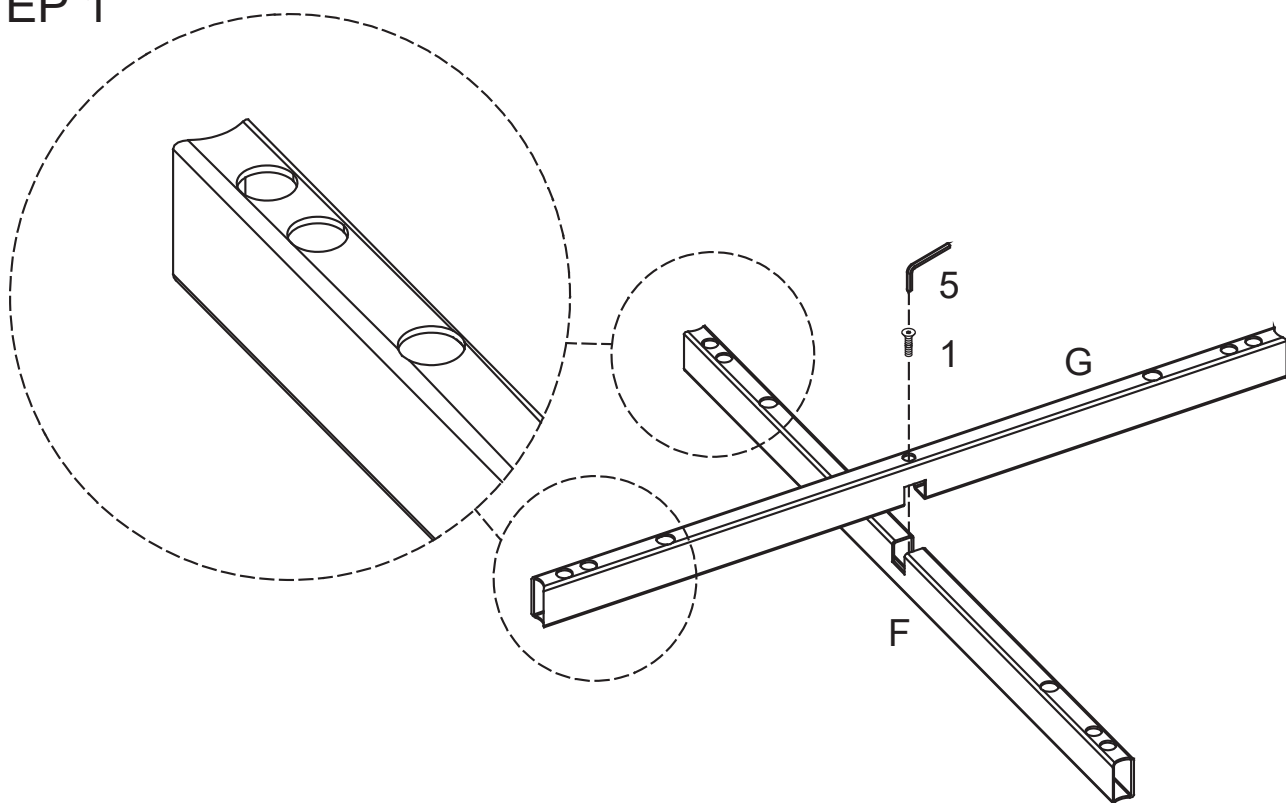
## PARTS IDENTIFICATION

A GLASS		1PC	E LOWER TOP CROSSBAR		1PC
B MARBLE		1PC	F UPPER BOTTOM CROSSBAR		1PC
C LEG		4PCS	G LOWER BOTTOM CROSSBAR		1PC
D UPPER TOP CROSSBAR		1PC			

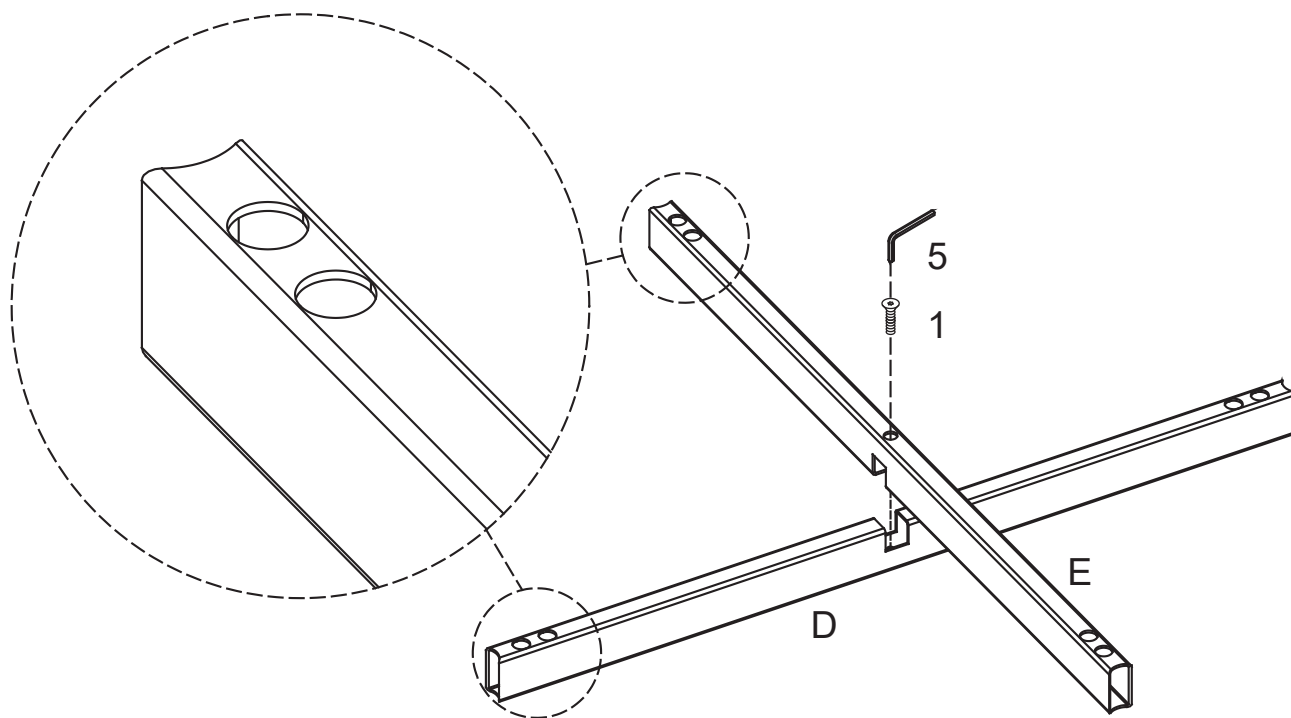
## HARDWARE IDENTIFICATION

Z	HARDWARE PACK		
1	BOLT M6×25MM-RBW		2 PCS
2	BOLT M6×12MM-RBW		16 PCS
3	BOLT M6×35MM-RBW		4 PCS
4	SUCTION CUP Ø20MM		4 PCS
5	ALLEN WRENCH M4-SR		1 PC

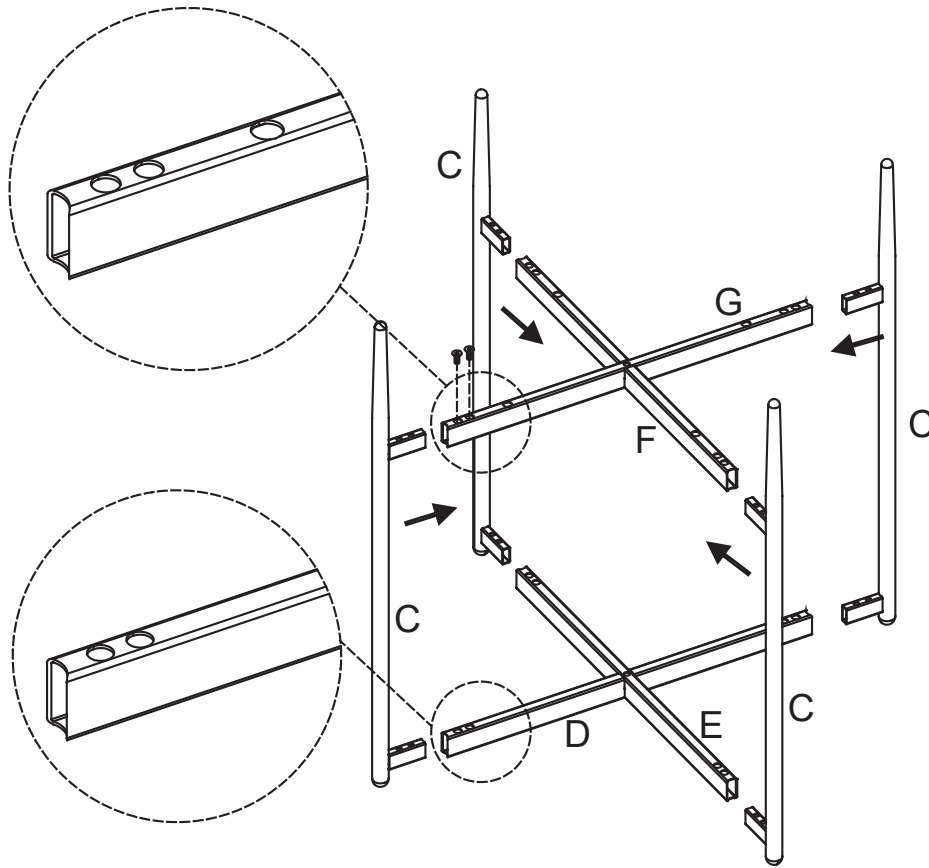
ITEM: 710337  
ASSEMBLY INSTRUCTIONS  
STEP 1



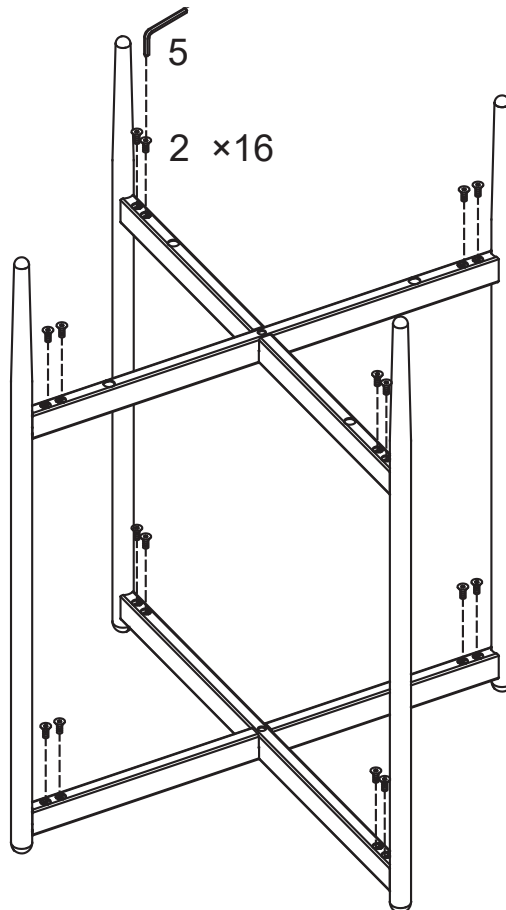
STEP 2



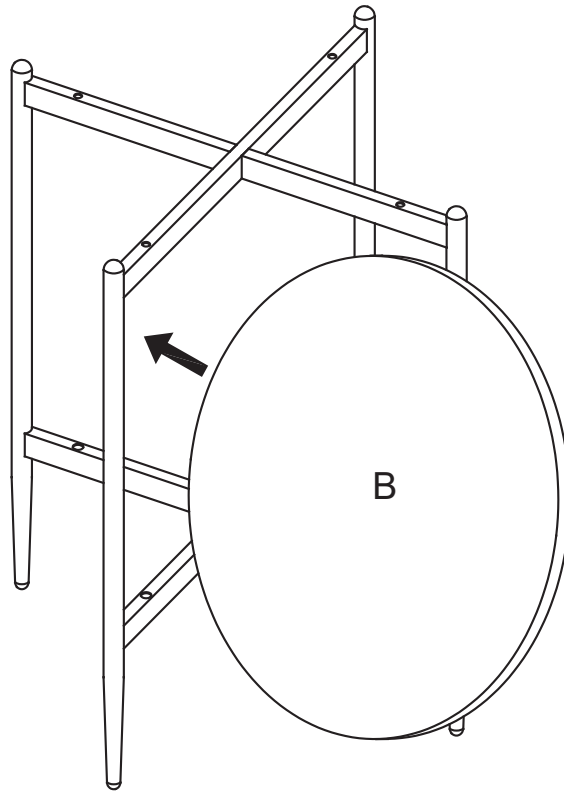
ITEM: 710337  
ASSEMBLY INSTRUCTIONS  
STEP 3



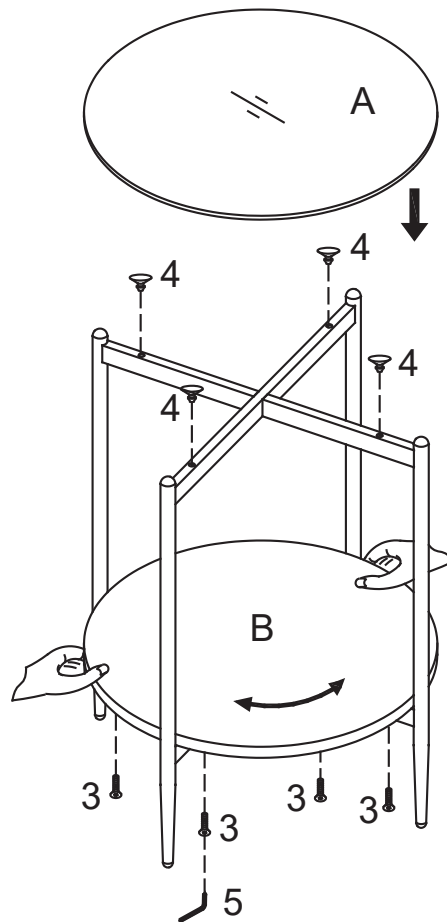
STEP 4



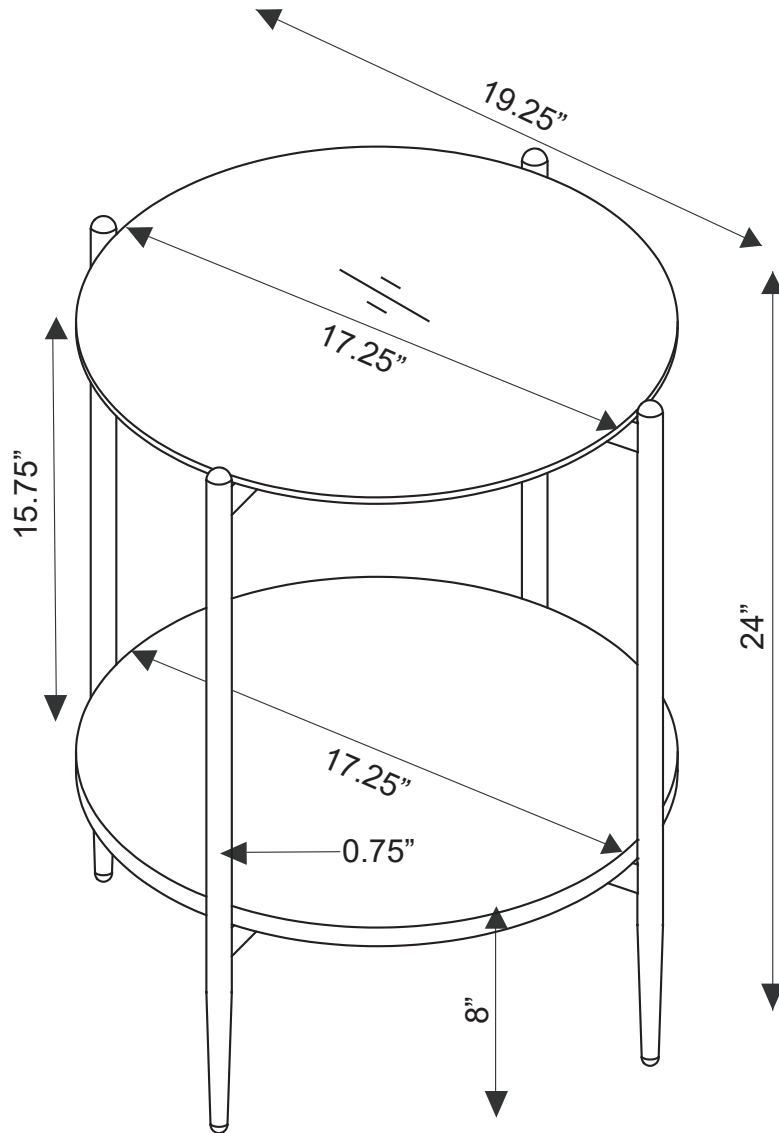
ITEM: 710337  
ASSEMBLY INSTRUCTIONS  
STEP 5



STEP 6



ITEM: 710337  
ASSEMBLY INSTRUCTIONS



Note :Dimension tolerance  $\pm 5\%$