

ASSEMBLY INSTRUCTIONS
COASTER FINE FURNITURE



Fine Furniture for every stage of life

224862
Nightstand

ITEM:224862



ASSEMBLY INSTRUCTIONS

ASSEMBLY TIPS:

1. Remove hardware from box and sort by size.
2. Please check to see that all hardware and parts are present prior to start of assembly.
3. Please follow attached instructions in the same sequence as numbered to assure fast & easy assembly.



WARNING!

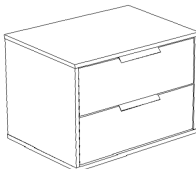
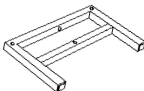
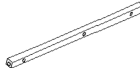

1. Don't attempt to repair or modify parts that are broken or defective. Please contact the store immediately.
2. This product is for home use only and not intended for commercial establishments.







ASSEMBLY TIME

15 MINUTES

PARTS IDENTIFICATION

A	NIGHTSTAND		1PC
B	LEG FRAME		2PCS
C	UPPER CROSSBAR		2PCS
D	LOWER CROSSBAR		1PC

HARDWARE IDENTIFICATION

1	LONG BOLT (M6 x 40mm - BLK)		6PCS
2	SHORT BOLT (M6 x 30mm - BLK)		2PCS
3	ALLEN WRENCH (M4 x 60mm - BLK)		1PC
4	PAN HEAD SCREW (M4 x 32mm - BLK)		4PCS

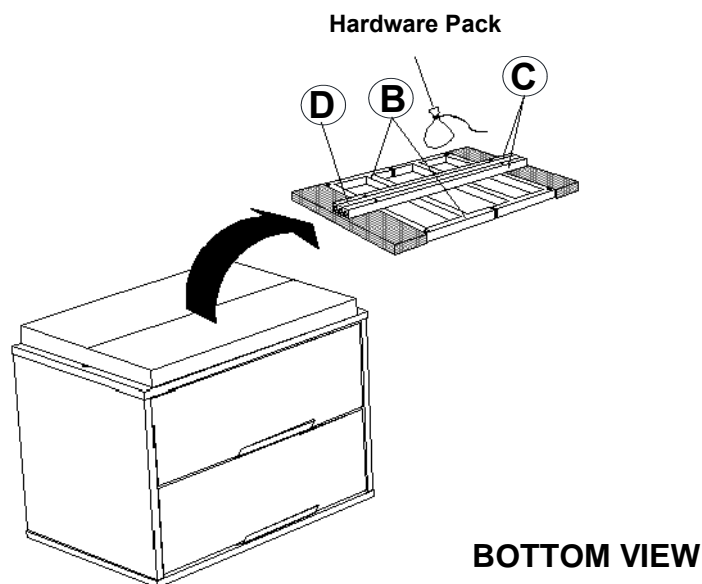
NOTE:

Phillips head screw driver is required in the assembly process; however, manufacturer does not provide this item.

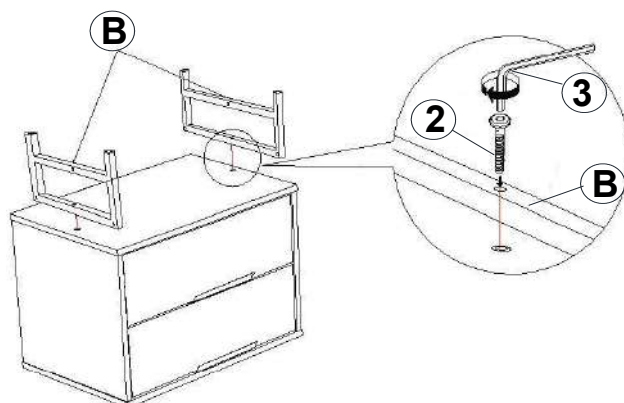
ITEM: **224862**

ASSEMBLY INSTRUCTIONS

STEP 1

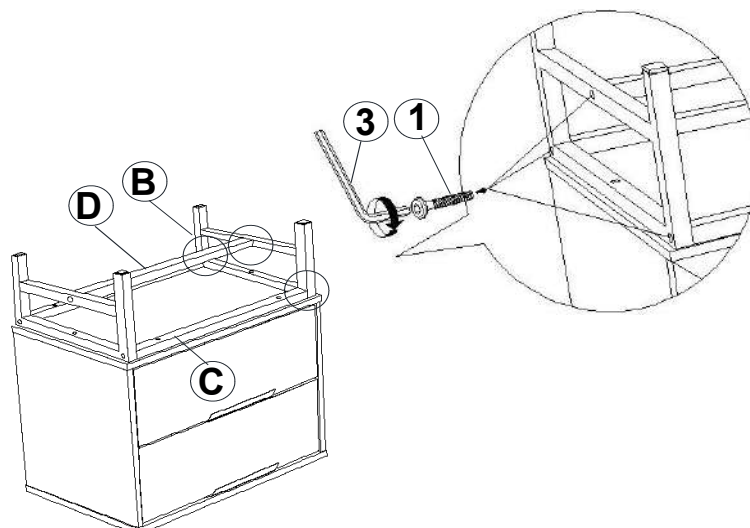


STEP 2



NOTE: DO NOT FULLY TIGHTEN IN THIS STEP.

STEP 3

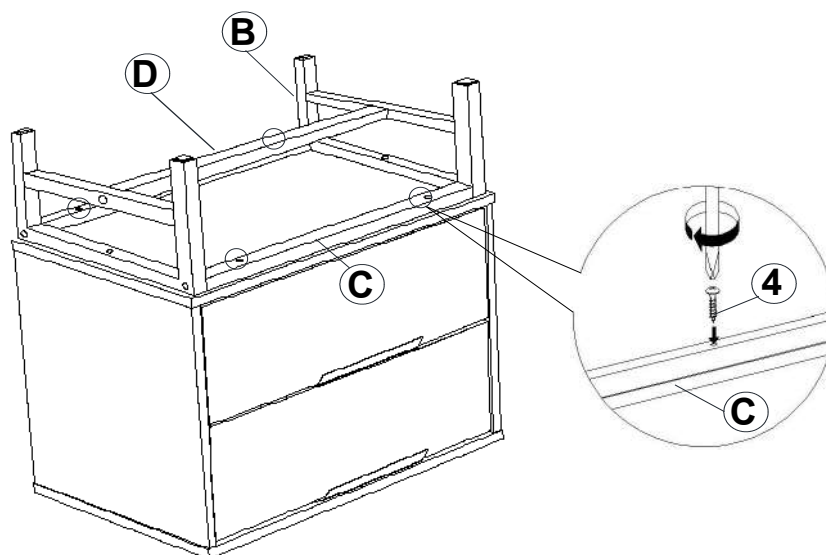


NOTE: FULLY TIGHTEN IN THIS STEP.

ITEM: **224862**

ASSEMBLY INSTRUCTIONS

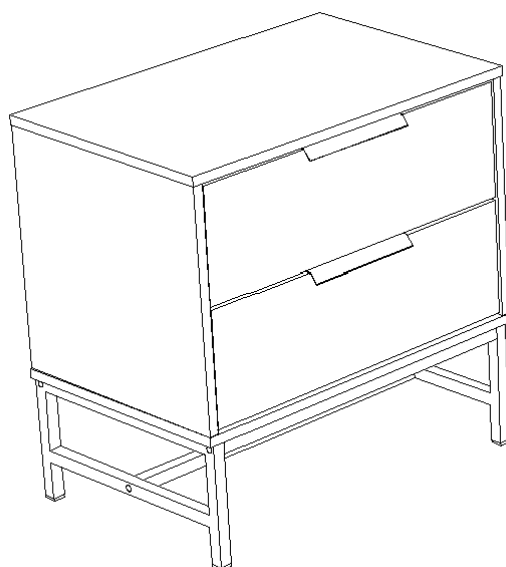
STEP 4



NOTE: FULLY TIGHTEN IN THIS STEP.

STEP 5

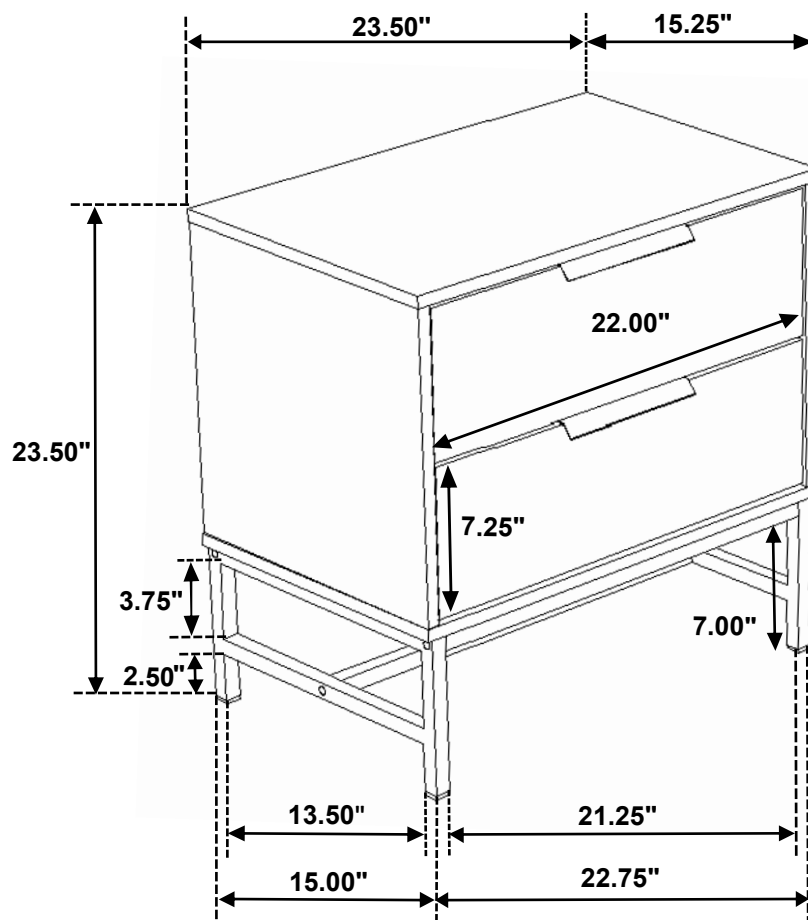
COMPLETE



ITEM:224862



Inner Size of Drawer : 20.50"W x 11.00"D x 3.25"H x 0.25"T



Note : Dimension tolerance $\pm 5\%$