

ASSEMBLY INSTRUCTIONS
COASTER FINE FURNITURE



Fine Furniture for every stage of life

107441
Dining Table

ITEM: 107441



ASSEMBLY INSTRUCTIONS

ASSEMBLY TIPS:

1. Remove hardware from box and sort by size.
2. Please check to see that all hardware and parts are present prior to start of assembly.
3. Please follow attached instructions in the same sequence as numbered to assure fast & easy assembly.



WARNING!

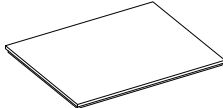

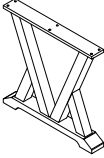

1. Don't attempt to repair or modify parts that are broken or defective. Please contact the store immediately.
2. This product is for home use only and not intended for commercial establishments.



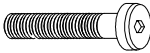


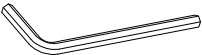

ASSEMBLY TIME

15 MINUTES

PARTS IDENTIFICATION

A	TOP		1PC
B	TRESTLE BAR		1PC
C	LEG FRAME		2PCS
D	LEG FRAME SUPPORT		2PCS

HARDWARE IDENTIFICATION

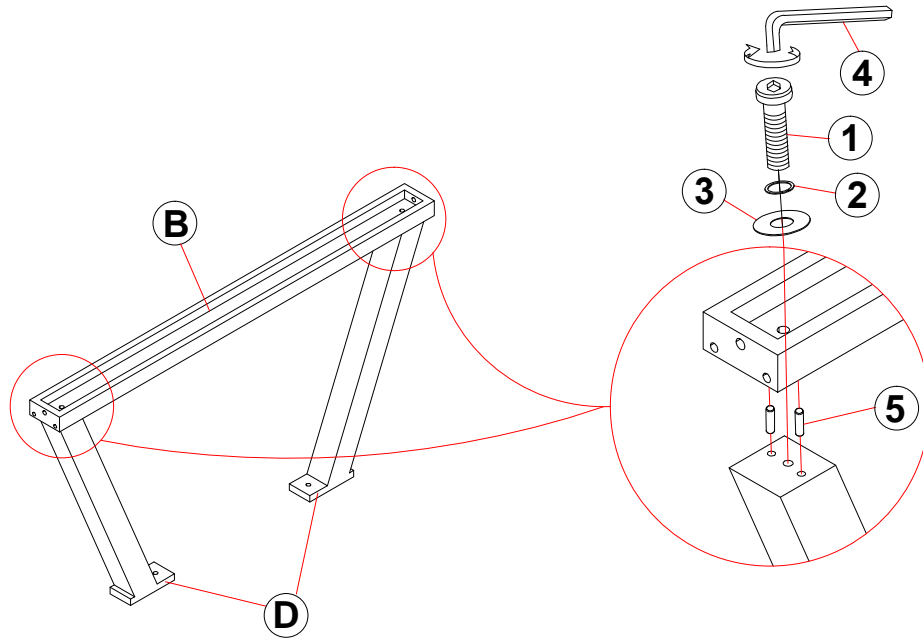
1	BOLT (5/16" x 38mm - BLK)		18PCS
2	LOCK WASHER (5/16" - BLK)		18PCS
3	FLAT WASHER (5/16" x 19 x 1.5mm - BLK)		18PCS
4	ALLEN WRENCH (74 x 30 x 4mm - BLK)		1PC
5	WOOD DOWEL (10 x 30mm)		8PCS

ITEM: **107441**

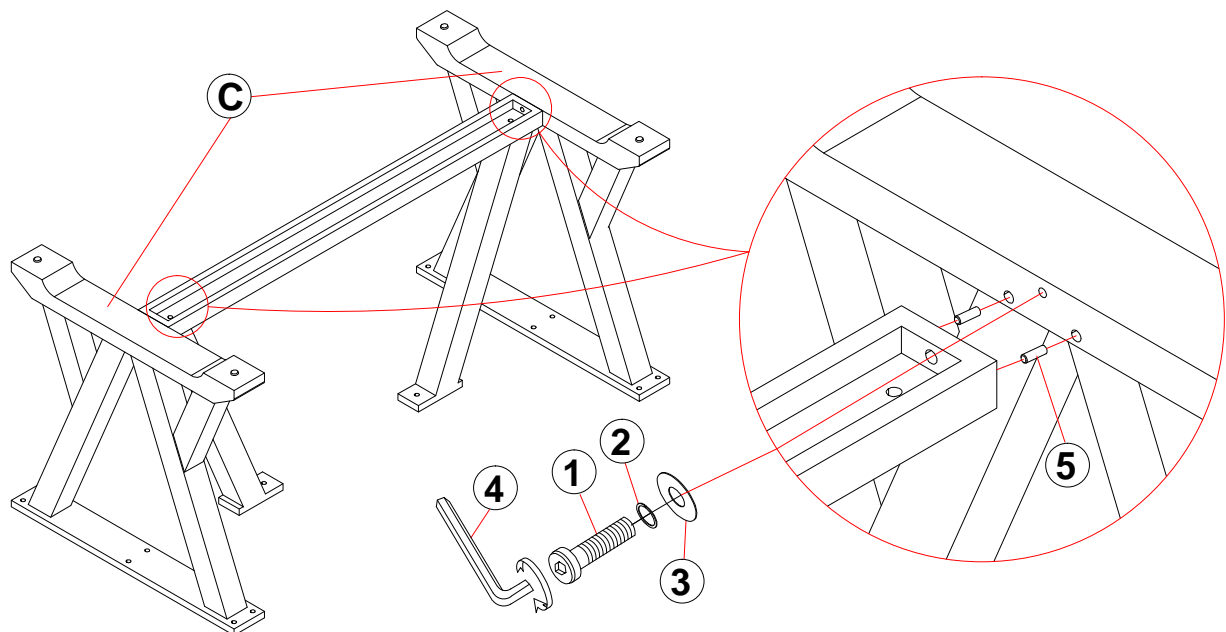
ASSEMBLY INSTRUCTIONS



STEP 1



STEP 2

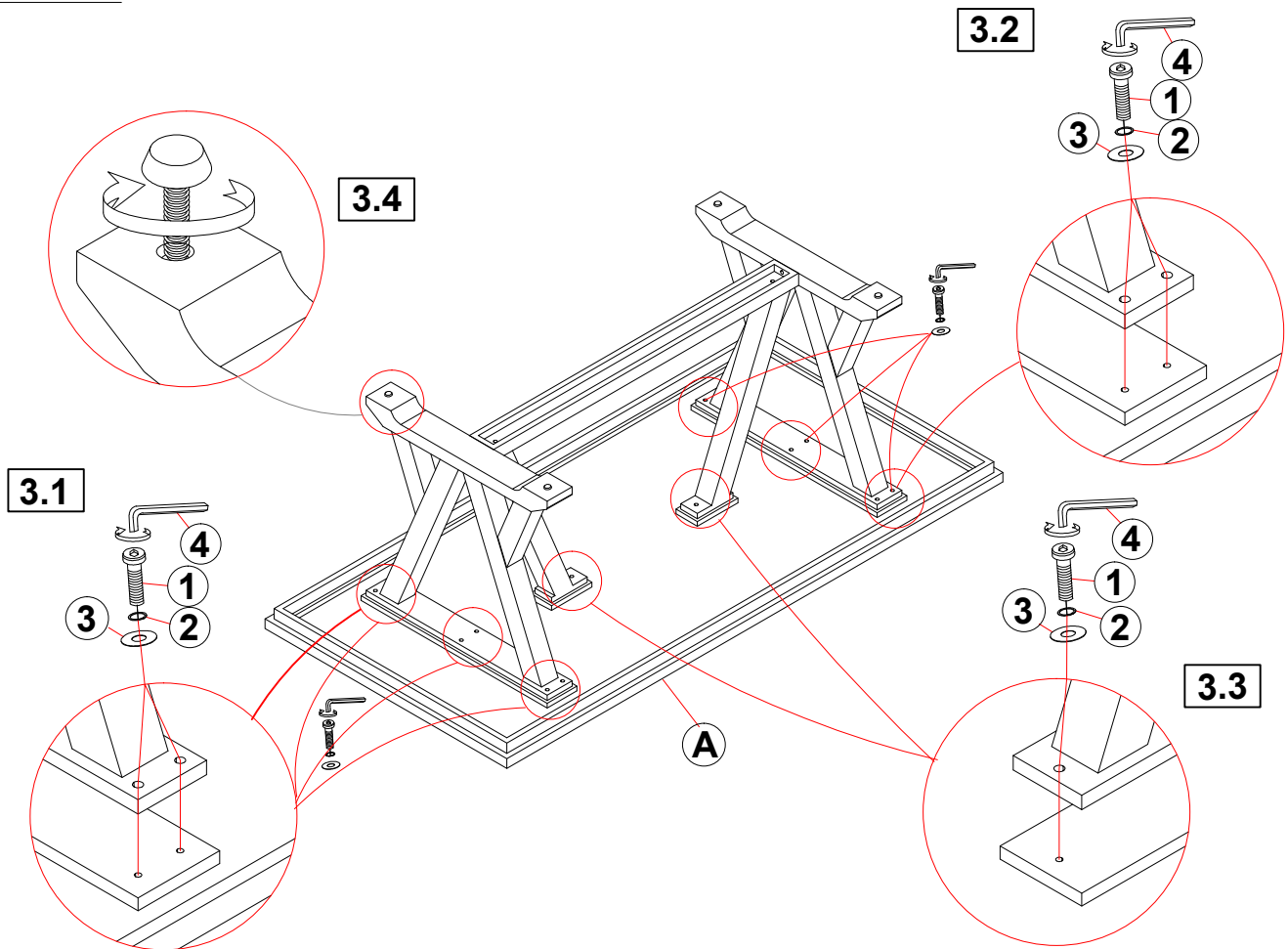


ITEM: **107441**

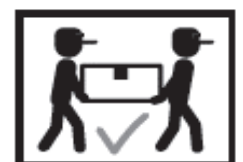
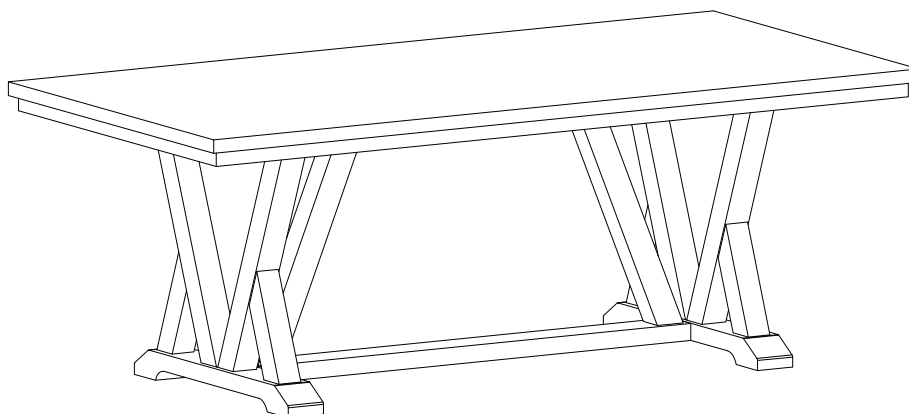
ASSEMBLY INSTRUCTIONS



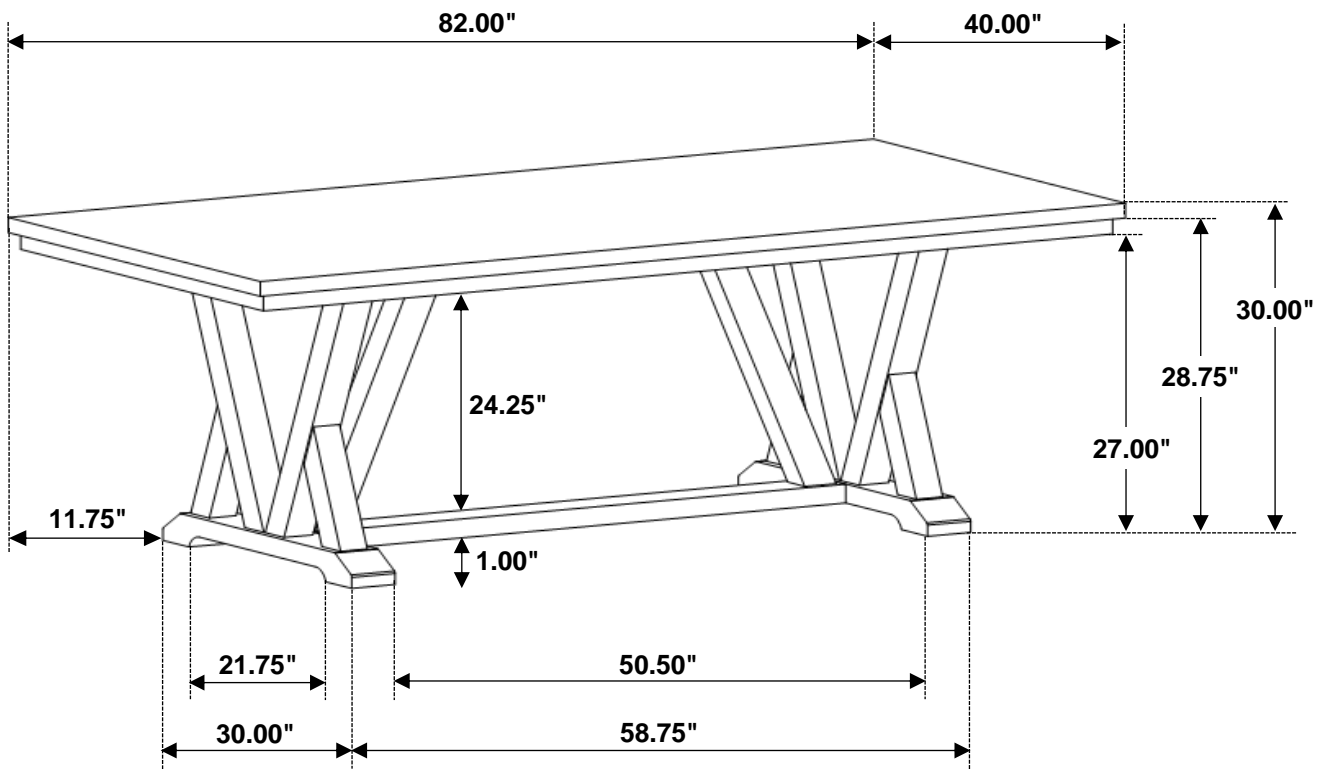
STEP 3



STEP 4
COMPLETE



ITEM: 107441



Note : Dimension tolerance $\pm 5\%$