

*ASSEMBLY INSTRUCTIONS*  
*COASTER FINE FURNITURE*



*Fine Furniture for every stage of life*

**108312**  
***Side Chair***

ITEM: **108312**



## ASSEMBLY INSTRUCTIONS

### ASSEMBLY TIPS:

1. Remove hardware from box and sort by size.
2. Please check to see that all hardware and parts are present prior to start of assembly.
3. Please follow attached instruction in the same sequence as numbered to assure fast and easy assembly.



### WARNING !

1. Don't attempt to repair or modify parts that are broken or defective. Please contact the store immediately.
2. This product is for home use only and not intended for commercial establishment.



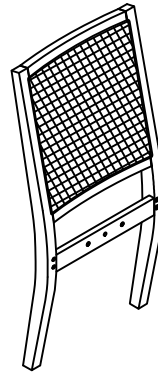
ASSEMBLY TIME

20 MINUTES

## PARTS IDENTIFICATION

A

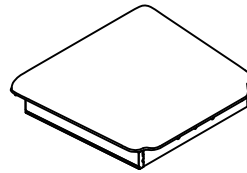
BACK FRAME



1PC

B

SEAT CUSHION  
WITH FRAME



1PC

C

FRONT LEG



2PCS

### NOTE:

Quantities shown are for one chair.

## ASSEMBLY INSTRUCTIONS

### ASSEMBLY TIPS:

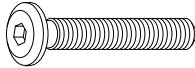
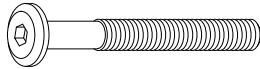
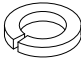
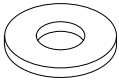

1. Remove hardware from box and sort by size.
2. Please check to see that all hardware and parts are present prior to start of assembly.
3. Please follow attached instruction in the same sequence as numbered to assure fast and easy assembly.



### WARNING !

1. Don't attempt to repair or modify parts that are broken or defective. Please contact the store immediately.
2. This product is for home use only and not intended for commercial establishment.

## HARDWARE IDENTIFICATION

1	<b>SHORT BOLT</b> (M8 x 35mm - BLK)		2PCS
2	<b>LONG BOLT</b> (M8 x 70mm - BLK)		8PCS
3	<b>LOCK WASHER</b> (M8 x 13mm - BLK)		10PCS
4	<b>FLAT WASHER</b> (M8 x 19mm - BLK)		10PCS
5	<b>ALLEN WRENCH</b> (M5 x 65mm - BLK)		1PC

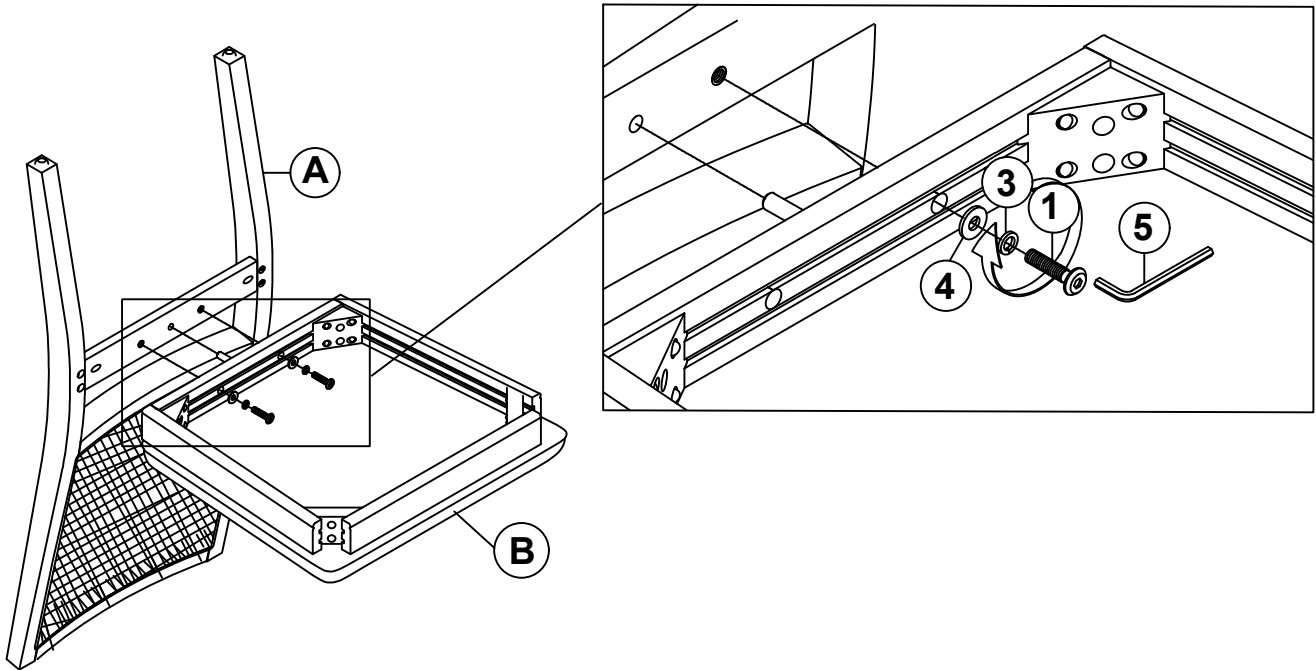
### NOTE:

Quantities shown are for one chair.

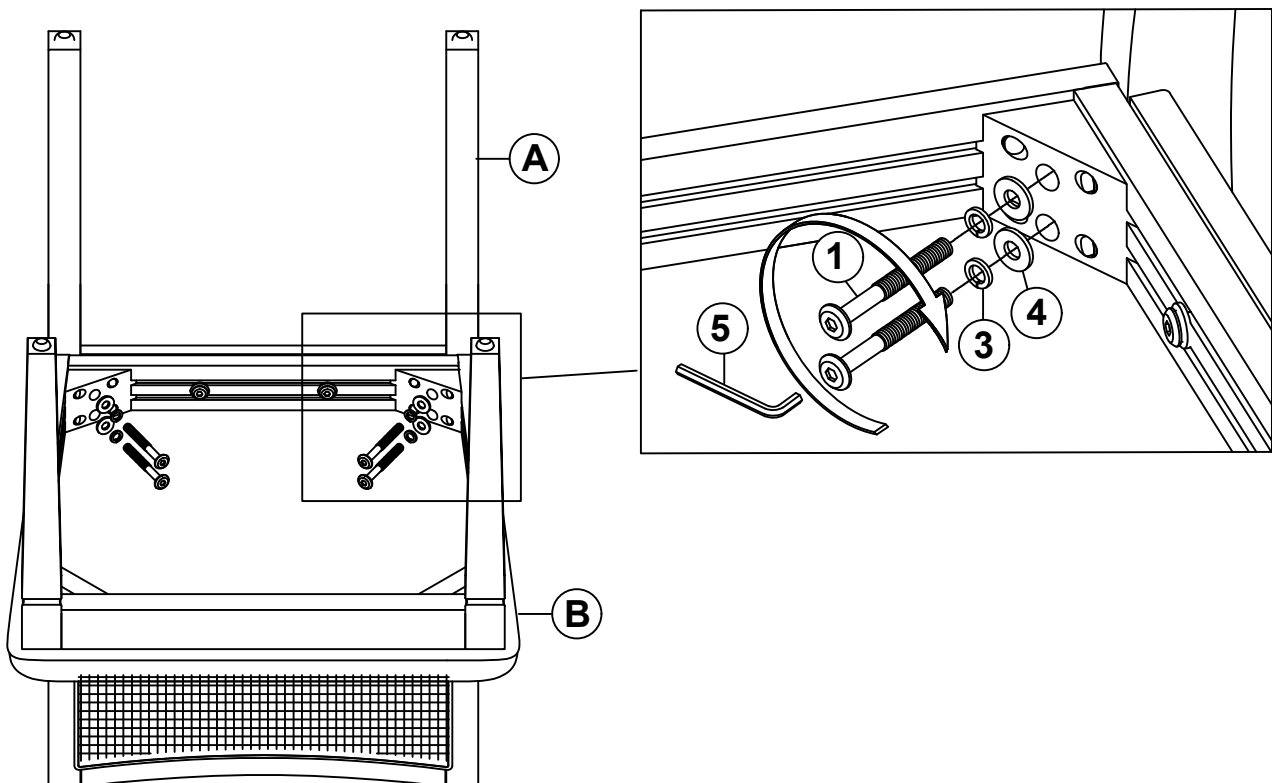
ITEM: **108312**

**ASSEMBLY INSTRUCTIONS**

**STEP 1**



**STEP 2**

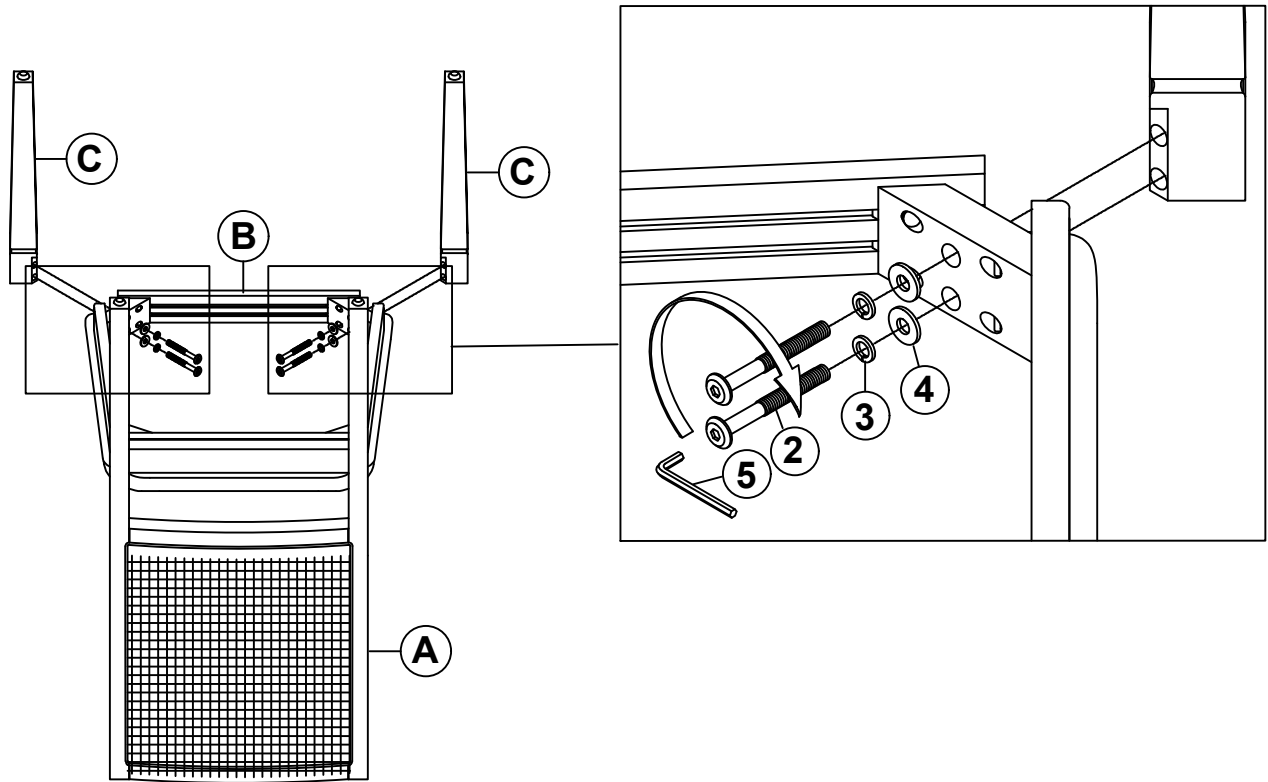


ITEM: **108312**

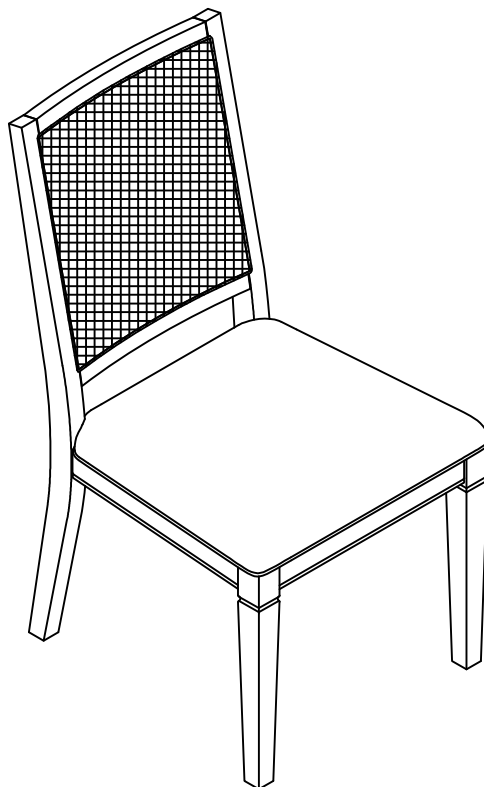
**ASSEMBLY INSTRUCTIONS**



**STEP 3**

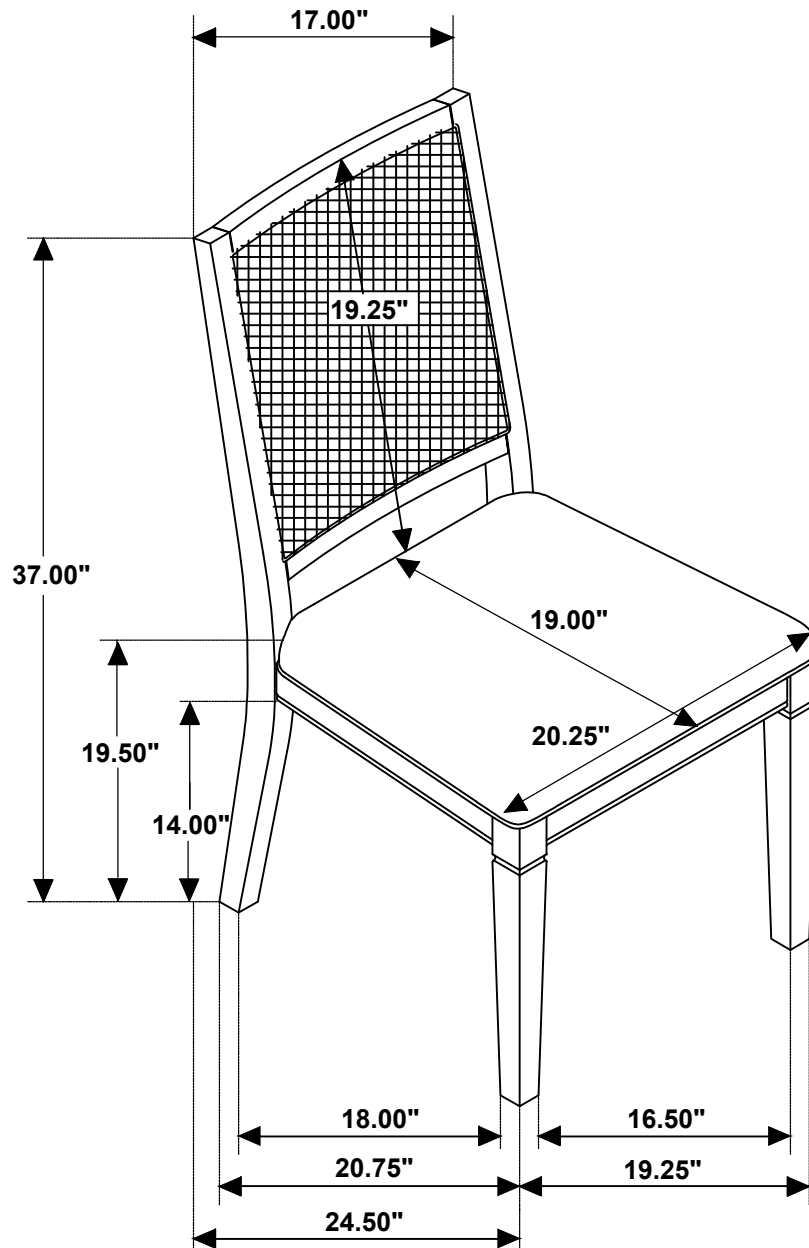


**STEP 4**  
**COMPLETE**



ITEM: 108312

**COASTER**  
FINE FURNITURE



Note : Dimension tolerance  $\pm 5\%$