

*ASSEMBLY INSTRUCTIONS*  
*COASTER FINE FURNITURE*



*Fine Furniture for every stage of life*

**181369**  
***Bar Stool***

# ITEM:181369



## ASSEMBLY INSTRUCTIONS

### ASSEMBLY TIPS:

1. Remove hardware from box and sort by size.
2. Please check to see that all hardware and parts are present prior to start of assembly.
3. Please follow attached instructions in the same sequence as numbered to assure fast & easy assembly.



### WARNING!


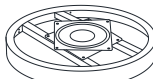
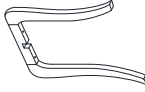

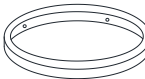

1. Don't attempt to repair or modify parts that are broken or defective. Please contact the store immediately.
2. This product is for home use only and not intended for commercial establishments.








ASSEMBLY TIME

15 MINUTES

## PARTS IDENTIFICATION

A	BACKREST		1PC
B	SWIVEL PLATE WITH FRAME		1PC
C	UPPER LEG		1PC
D	LOWER LEG		1PC
E	FOOTREST		1PC
F	SEAT CUSHION		1PC

## HARDWARE IDENTIFICATION

1	<b>BOLT</b> (M6 x45MM - BLK)		14PCS
2	<b>LOCK WASHER</b> (1/4" - BLK)		14PCS
3	<b>FLAT WASHER</b> (1/4"x 16MM - BLK)		10PCS
4	<b>FLAT HEAD SCREW</b> (M4 x 32MM - BLK)		4PC
5	<b>ALLEN WRENCH</b> (M4 x 65MM - BLK)		1PC

### NOTE:

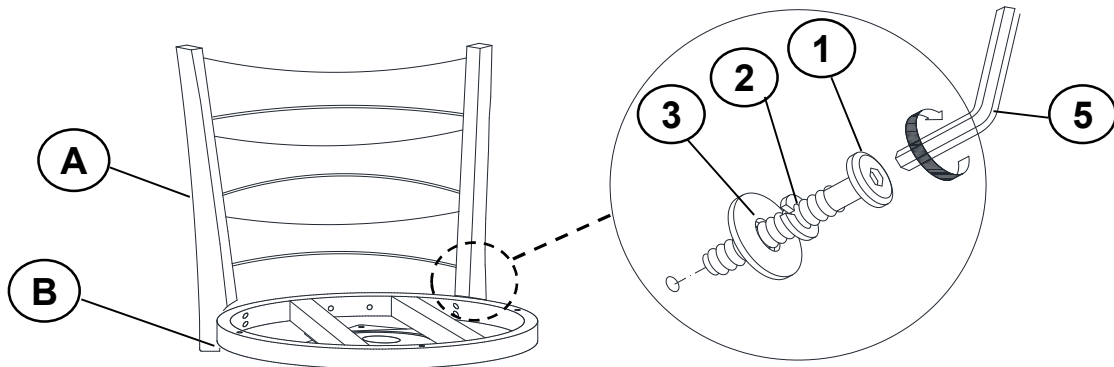
Quantities shown are for one stool.

Phillips head screw driver is required in the assembly process; however, manufacturer does not provide this item.

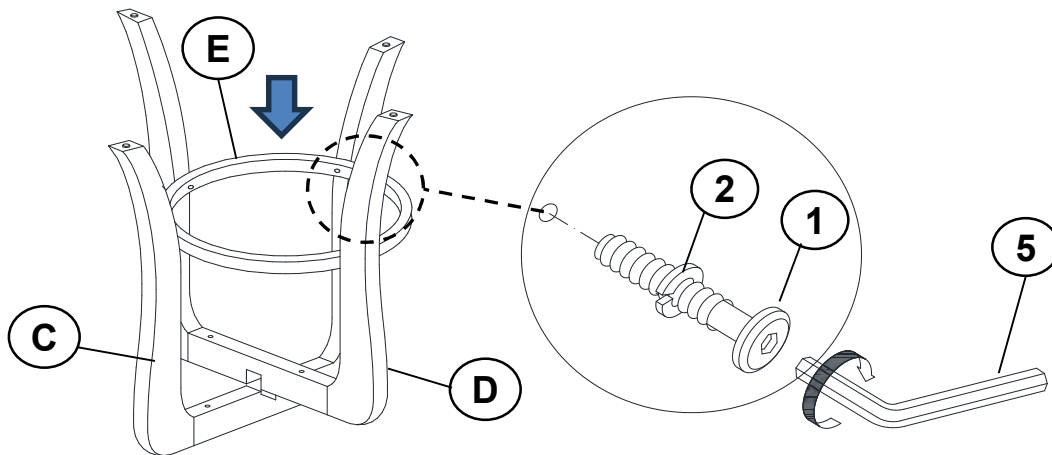
ITEM: **181369**

**ASSEMBLY INSTRUCTIONS**

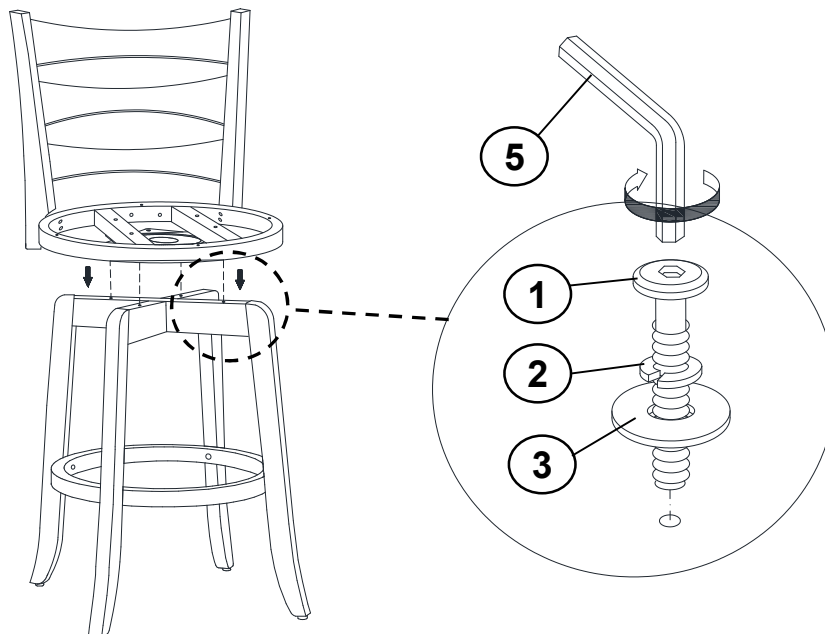
**STEP 1**



**STEP 2**



**STEP 3**

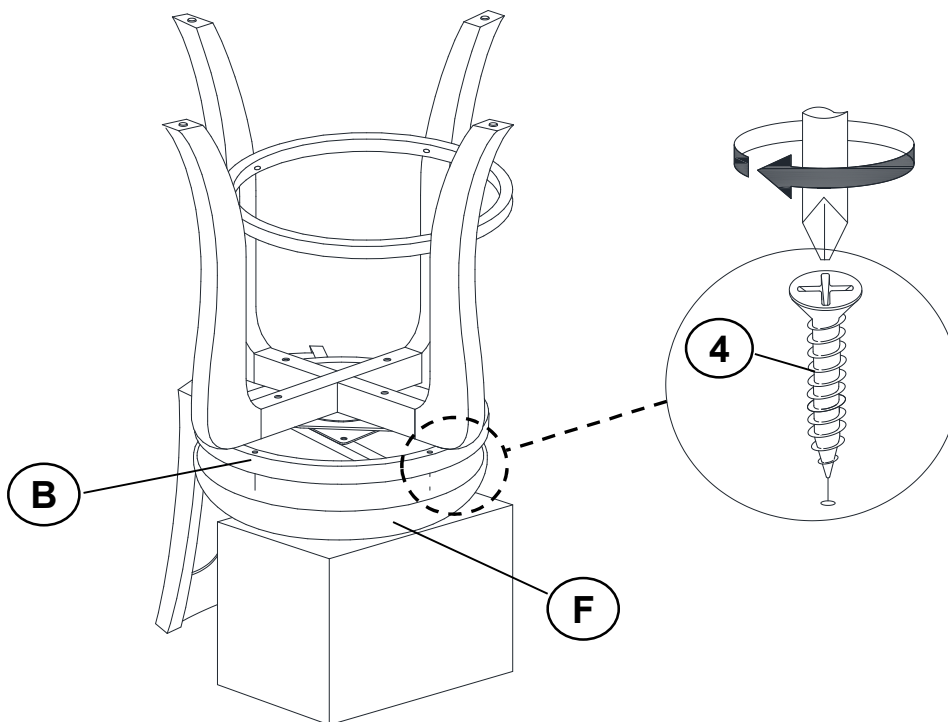


ITEM: **181369**

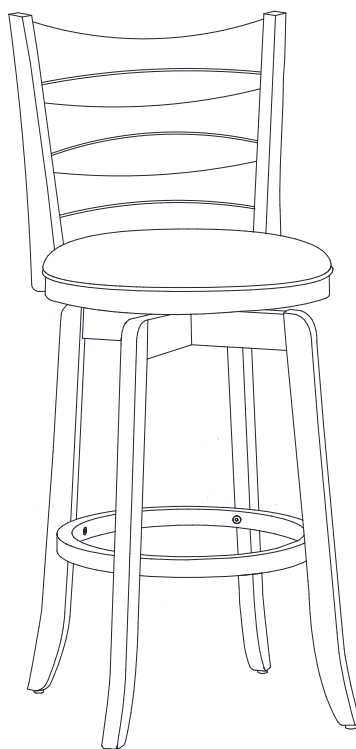


**ASSEMBLY INSTRUCTIONS**

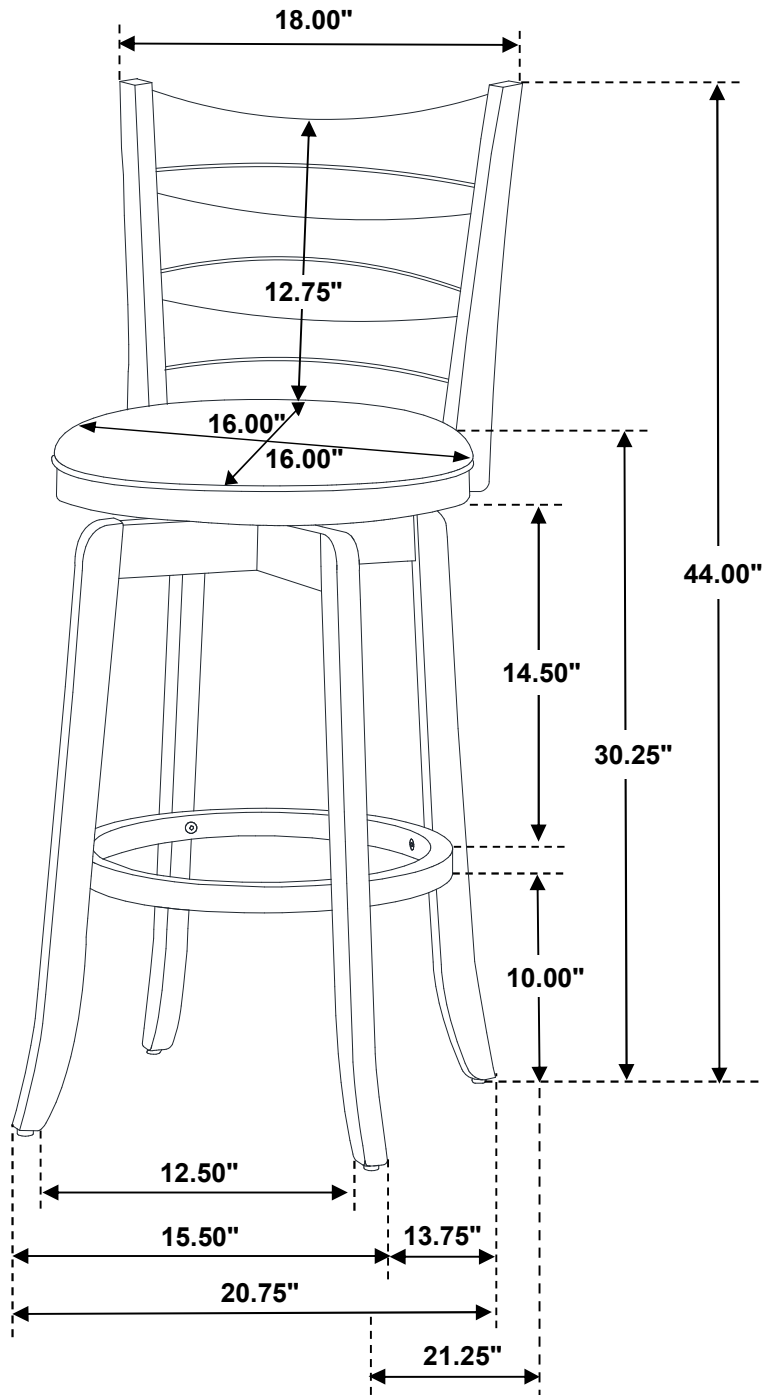
**STEP 4**



**STEP 5**  
**COMPLETE**



ITEM: **181369**



Note: Dimension tolerance  $\pm 5\%$