

ASSEMBLY INSTRUCTIONS
COASTER FINE FURNITURE



Fine Furniture for every stage of life

181379
Bar Stool

ITEM:181379



ASSEMBLY INSTRUCTIONS

ASSEMBLY TIPS:

1. Remove hardware from box and sort by size.
2. Please check to see that all hardware and parts are present prior to start of assembly.
3. Please follow attached instructions in the same sequence as numbered to assure fast & easy assembly.



WARNING!


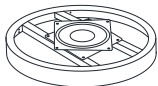


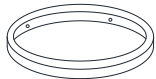

1. Don't attempt to repair or modify parts that are broken or defective. Please contact the store immediately.
2. This product is for home use only and not intended for commercial establishments.








ASSEMBLY TIME

15 MINUTES

PARTS IDENTIFICATION

| | | | |
|---|-------------------------|--|-----|
| A | BACKREST |  | 1PC |
| B | SWIVEL PLATE WITH FRAME |  | 1PC |
| C | UPPER LEG |  | 1PC |
| D | LOWER LEG |  | 1PC |
| E | FOOTREST |  | 1PC |
| F | SEAT CUSHION |  | 1PC |

HARDWARE IDENTIFICATION

| | | | |
|---|---|--|-------|
| 1 | BOLT (M6 x45MM - BLK) |  | 14PCS |
| 2 | LOCK WASHER (1/4" - BLK) |  | 14PCS |
| 3 | FLAT WASHER (1/4"x 16MM - BLK) |  | 10PCS |
| 4 | FLAT HEAD SCREW (M4 x 32MM - BLK) |  | 4PC |
| 5 | ALLEN WRENCH (M4 x 65MM - BLK) |  | 1PC |

NOTE:

Quantities shown are for one stool.

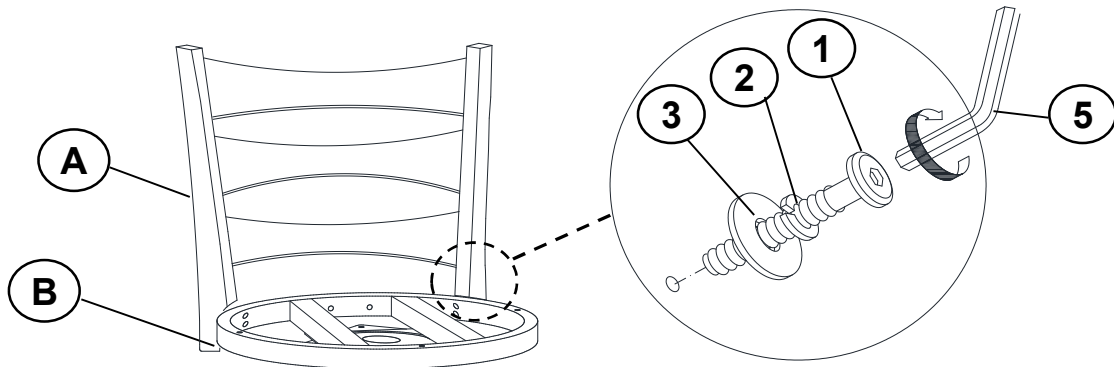
Phillips head screw driver is required in the assembly process; however, manufacturer does not provide this item.

ITEM: **181379**

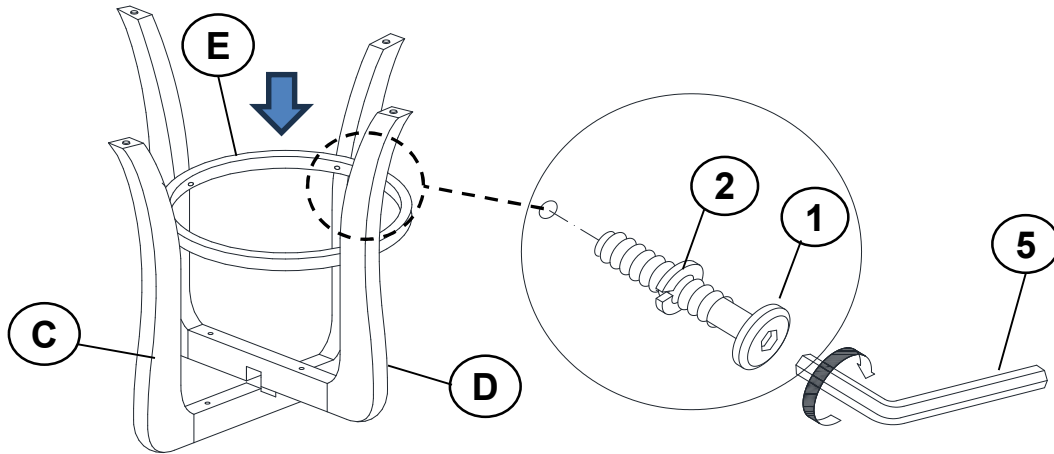
ASSEMBLY INSTRUCTIONS



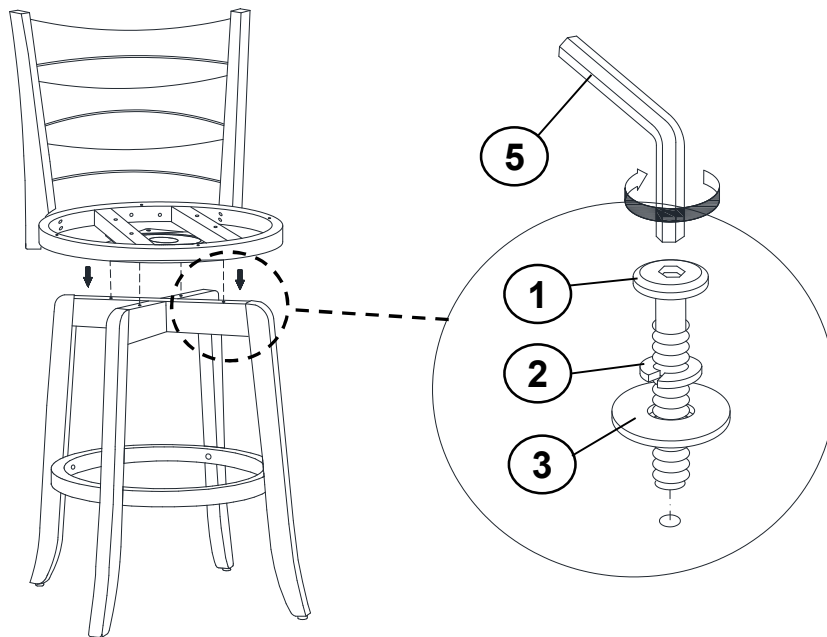
STEP 1



STEP 2



STEP 3

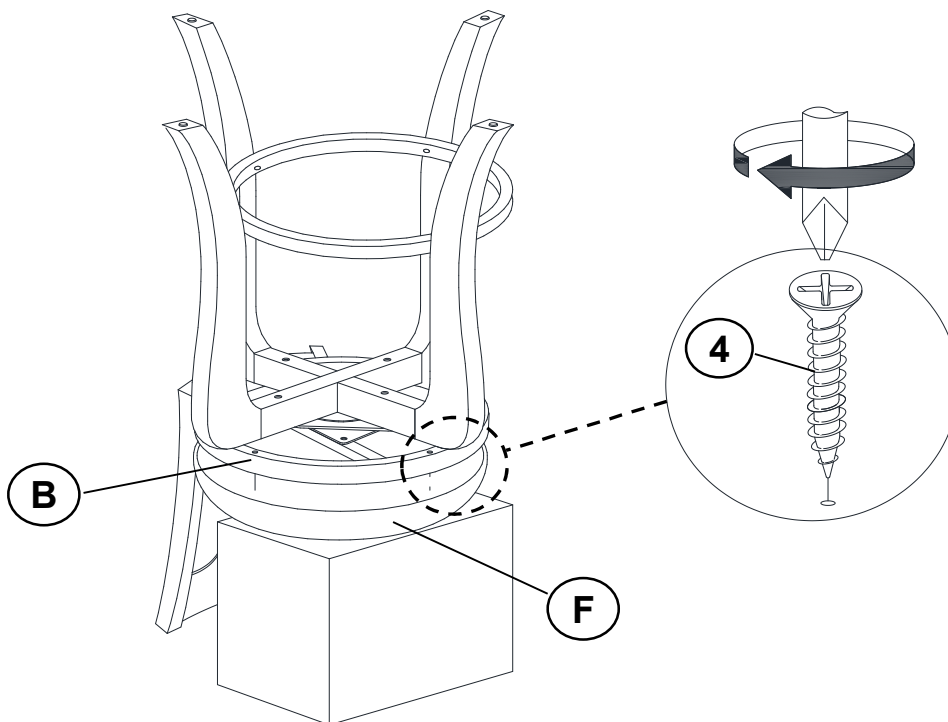


ITEM: **181379**

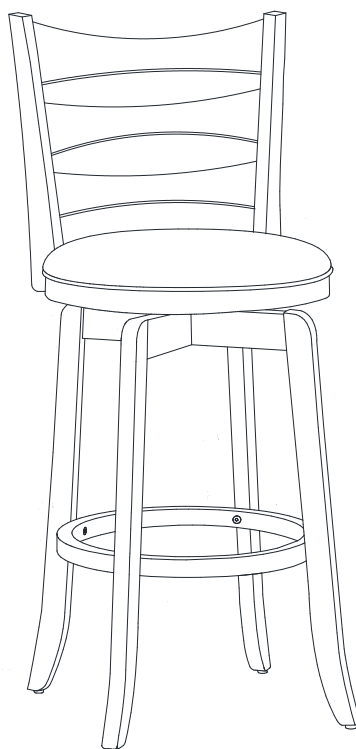


ASSEMBLY INSTRUCTIONS

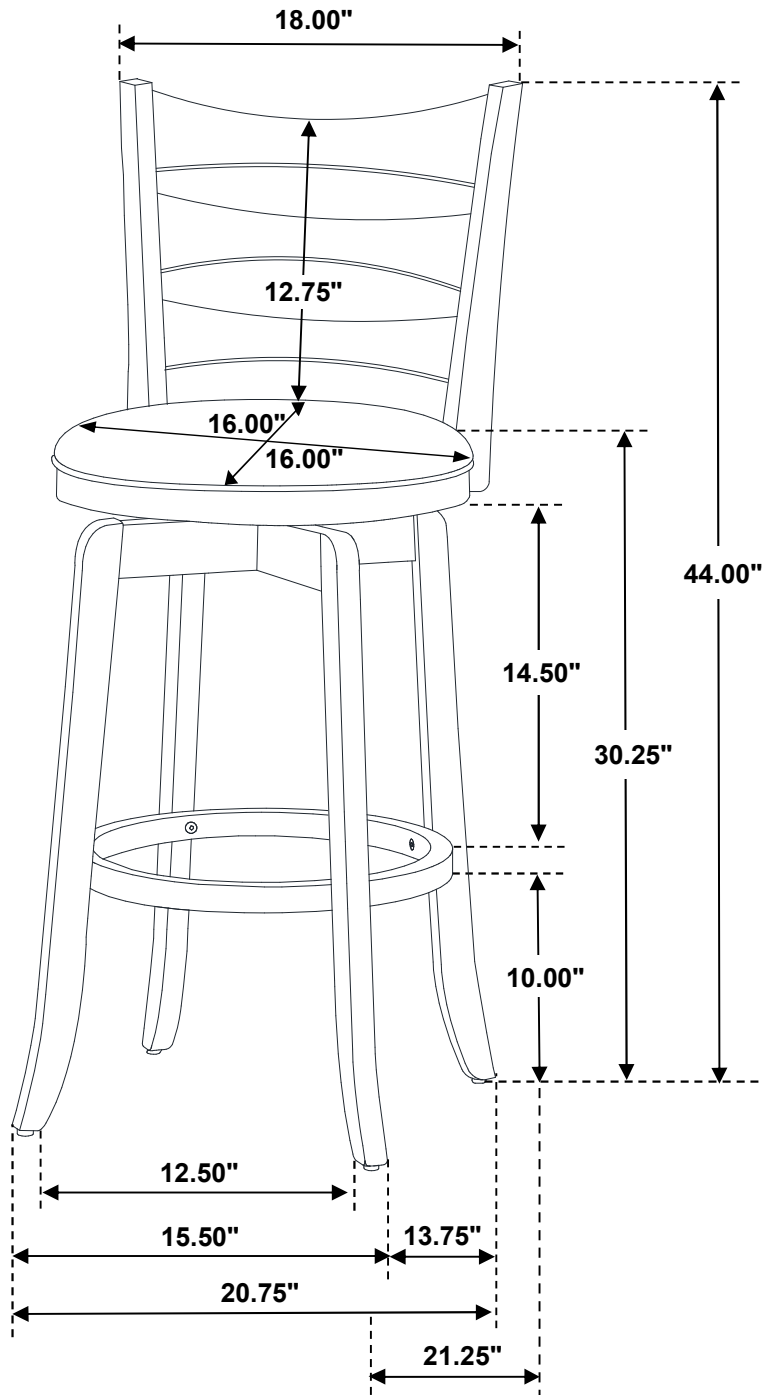
STEP 4



STEP 5
COMPLETE



ITEM: **181379**



Note: Dimension tolerance $\pm 5\%$