

ASSEMBLY INSTRUCTIONS
COASTER FINE FURNITURE



Fine Furniture for every stage of life

901484
FLOOR LAMP

REVISION 0 : 05/07/2019
REVISION 1 : 08/01/2023
REVISION 2 : 11/01/2023

ITEM :901484



Assembly Instructions

ASSEMBLY TIPS:

1. Remove hardware from box and sort by size.
2. Please check to see that all hardware and parts are present prior to start of assembly.
3. Please follow attached instructions in the same sequence as numbered to assure fast & easy assembly.

Warning!



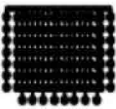





1. Don't attempt to repair or modify parts that are broken or defective. Please contact the store immediately.
2. This product is for home use only and not intended for commercial establishments.

ASSEMBLY TIME

10 MINUTES

PARTS IDENTIFICATION

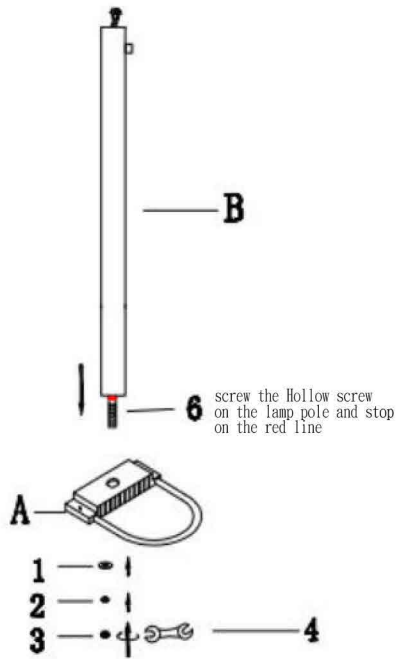
NO	DESCRIPTION	FIGURE	Q,TY	HARDWARE PACKAGE
A	BASE		1 PC	NO DESCRIPTION
B	MAIN POLE		1 PC	1 LARGE WASHER
C	OUTER SHADE		3 PC	2 SMALL WASHER
D	ARMS		1 PC	3 NUT
E	RING		3 PC	4 WRENCH
F	LIGHT BULB		3 PC	5 SCREW
				6 HOLLOW SCREW

ITEM :901484

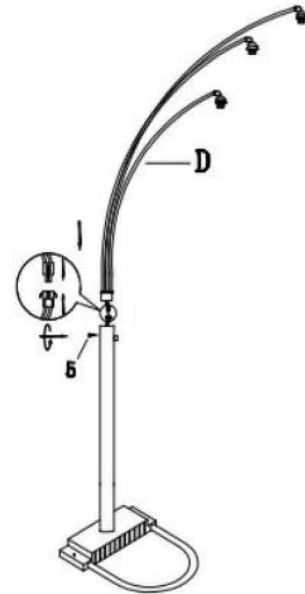


Assembly Instructions

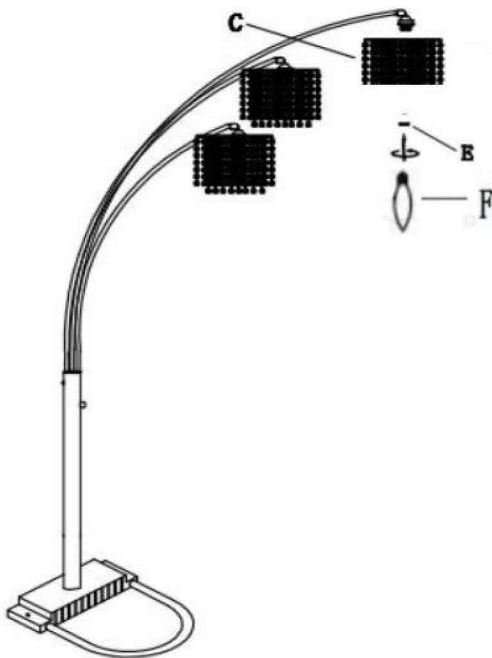
STEP1



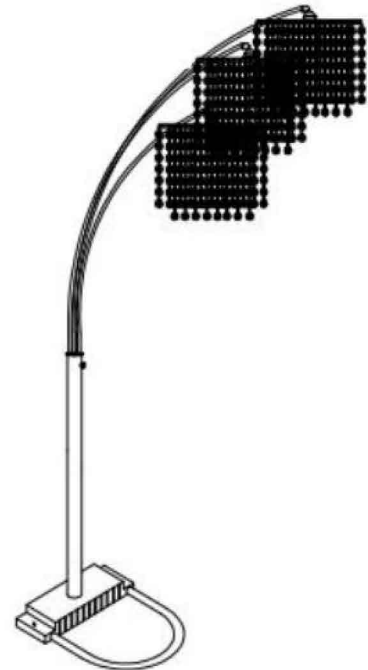
STEP2



STEP3



STEP4



As a safety feature, and to reduce the risk of electric shock, this portable lamp includes a polarized plug (one blade is wider than the other). The plug will fit into a polarized outlet in a single direction only. If the plug does not fit fully in the outlet, reverse the plug and try again.

If it still does not fit, contact a qualified electrician. DO NOT use with an extension cord unless, can be fully inserted. DO NOT alter the plug.

FLOOR LAMP:TYPE A LED BULB 9W

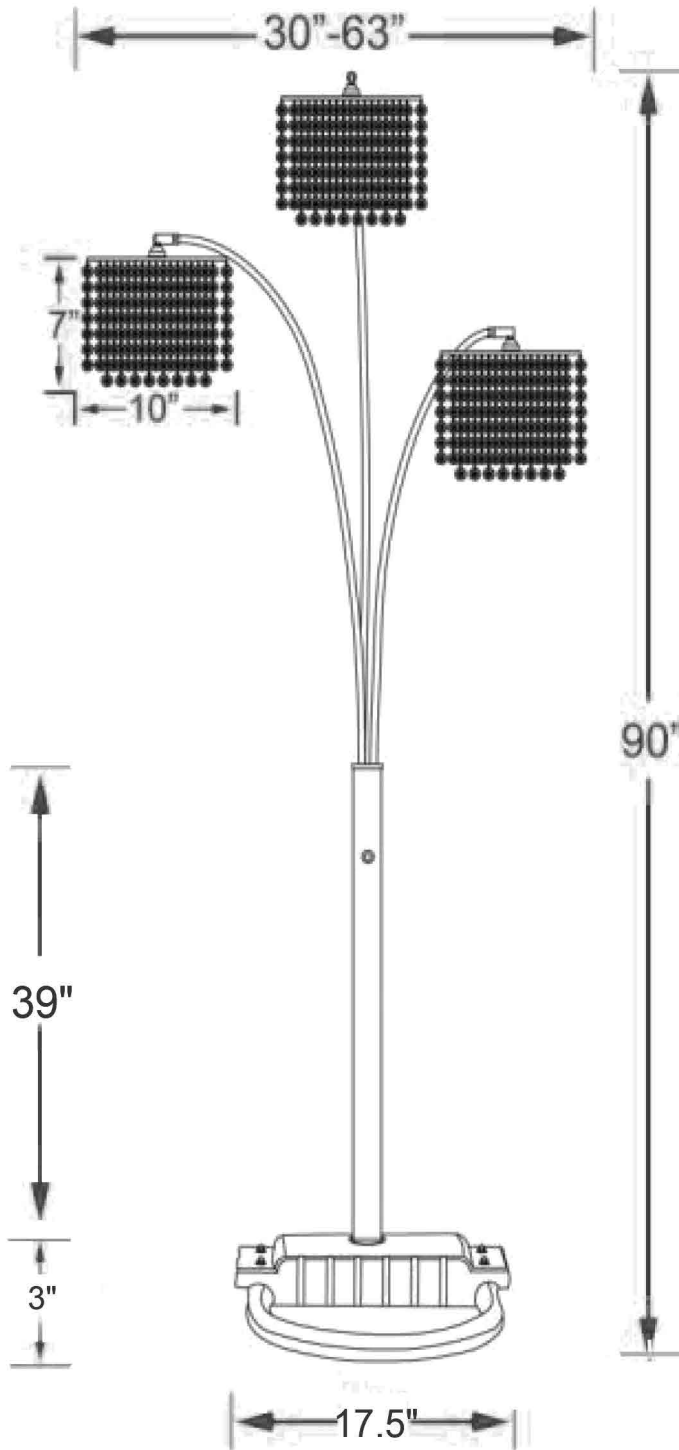
How to clean Acrylic product:

Using a dry soft microfiber cloth, lightly brush off any dust.

For additional care, dampen the cloth with warm water. For deepest cleaning, use an Acrylic cleaner.

ITEM :901484

COASTER
FINE FURNITURE



Note : Dimension tolerance $\pm 5\%$