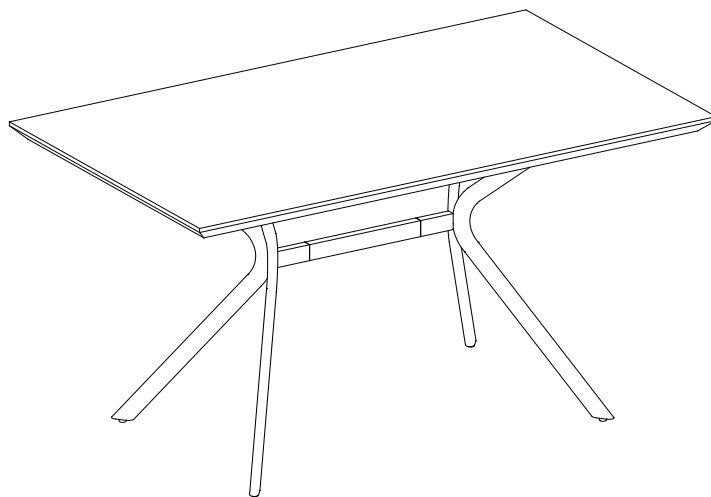




ASSEMBLY INSTRUCTIONS  
COASTER FINE FURNITURE



Fine Furniture for every stage of life

108481  
DINING TABLE

# ITEM: 108481

## ASSEMBLY INSTRUCTIONS:

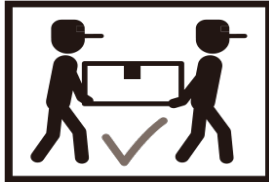
### ASSEMBLY TIPS:

1. Remove hardware from box and sort by size.
2. Please check to see that all hardware and parts are present prior to start of assembly.
3. Please follow attached instructions in the same sequence as numbered to assure fast & easy assembly.



### WARNING!

1. Don't attempt to repair or modify parts that are broken or defective. Please contact the store immediately.
2. This product is for home use only and not intended for commercial establishments.



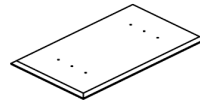
ASSEMBLY TIME

30 MINUTES

## PARTS IDENTIFICATION

### B1 (BOX 1)

A TOP



1 PC

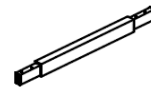
### B2 (BOX 2)

B LEG



2 PCS

C STRETCHER



1 PC

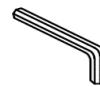
## HARDWARE IDENTIFICATION

1 BOLT  
(M8X20MM)



6 PCS

3 ALLEN KEY  
(5#)



1 PCS

2 BOLT  
(M8X16MM)



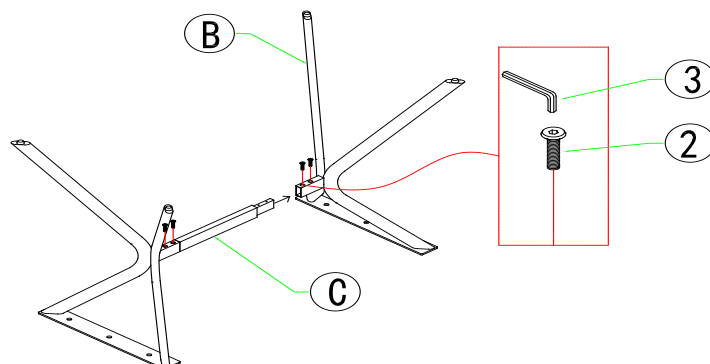
4 PCS

4 WASHER  
(M8)

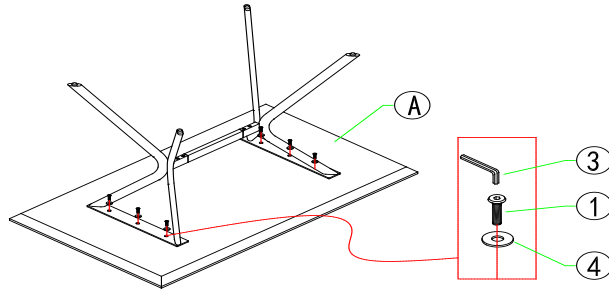


6 PCS

## STEP 1

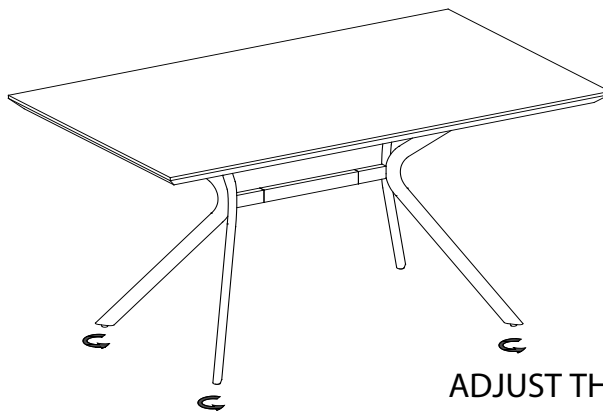


## STEP 2



**COASTER**  
FINE FURNITURE

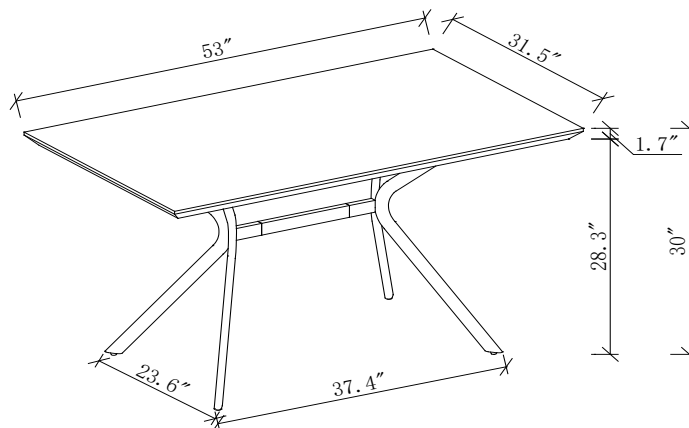
## STEP 3



ADJUST THE GLIDES IF NEEDED

ITEM: 108481

### ASSEMBLY INSTRUCTIONS: PRODUCT DIMENSION



Note: Dimension tolerance  $\pm 5\%$