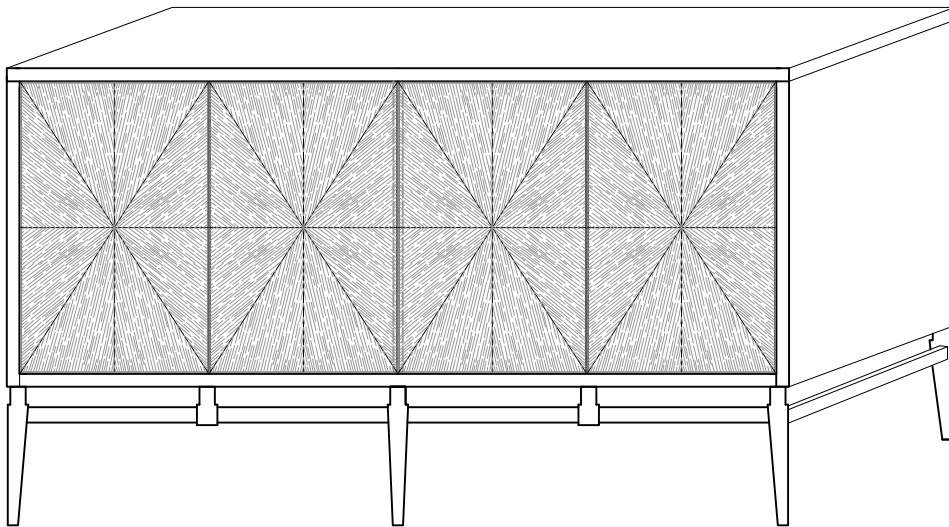




# ASSEMBLY INSTRUCTIONS

## COASTER FINE FURNITURE



*Fine Furniture for every stage of life*

**953497**  
**ACCENT CABINET**

REVISION 0 : 07/04/2021  
REVISION 1 : 03/21/2024  
REVISION 2 : 05/17/2024

PAGE 1 OF 4

COASTERFURNITURE.COM

ITEM: **953497**

**ASSEMBLY INSTRUCTIONS**

**ASSEMBLY TIPS:**

1. Remove hardware from box and sort by size.
2. Please check to see that all hardware and parts are present prior to start of assembly.
3. Please follow attached instructions in the same sequence as numbered to assure fast & easy assembly.
4. Phillips head screw driver is required in the assembly process; however, manufacturer does not provide this item.



**WARNING!**

1. Don't attempt to repair or modify parts that are broken or defective. Please contact the store immediately.
2. This product is for home use only and not intended for commercial establishments.

**ASSEMBLY TIME**

**30 MINUTES**



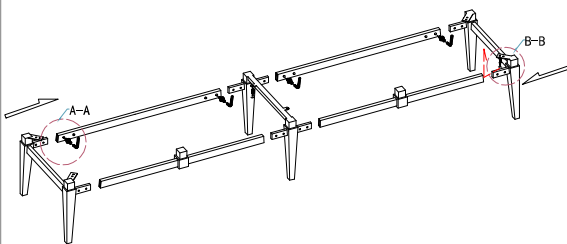
**PARTS IDENTIFICATION**

<b>A</b>	<b>CABINET</b>		<b>1PC</b>	<b>B</b>	<b>LEG</b>		<b>2PCS</b>
				<b>C</b>	<b>LEG SUPPORT</b>		<b>2PCS</b>
				<b>D</b>	<b>LEG FRAME</b>		<b>1PC</b>
				<b>E</b>	<b>LEG SUPPORT</b>		<b>2PCS</b>

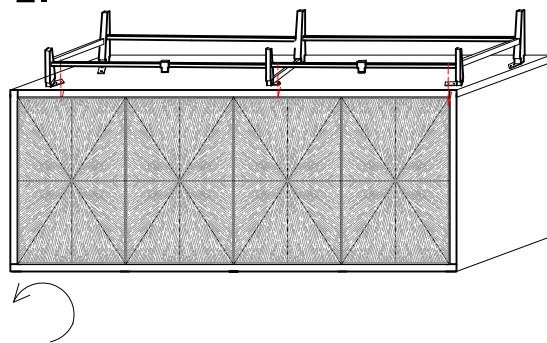
**HARDWARE IDENTIFICATION**

<b>1</b>		16PCS	Ø6*25mm	<b>2</b>		16PCS	Ø19mm
<b>3</b>		16PCS	Ø12mm	<b>4</b>		1PC	
<b>5</b>		10PCS	Ø4*15mm				

**1.**

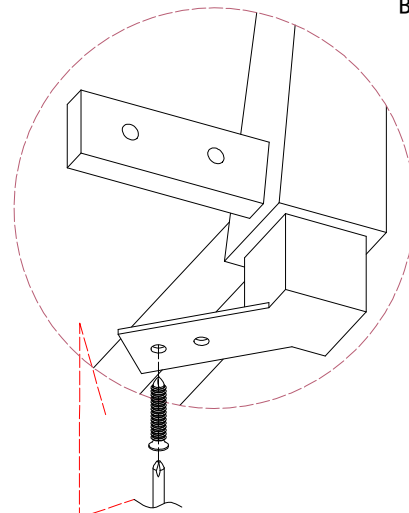
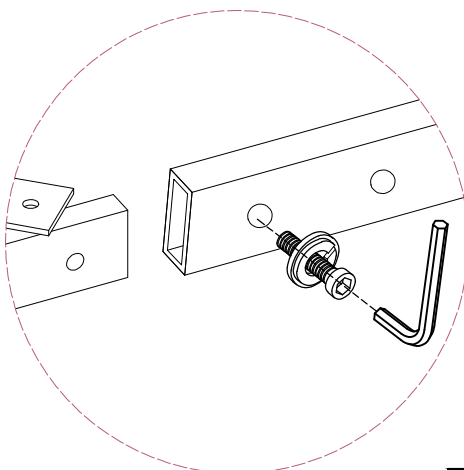


**2.**



A-A

B-B



ITEM: **953497**

## ANTI-TIPPING INSTALLMENT INSTRUCTIONS

### FURNITURE TIPPING RESTRAINT



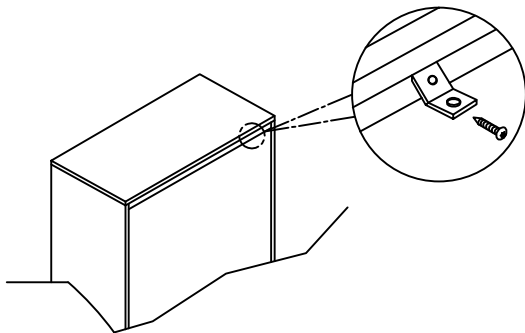
#### WARNING

Injury may result from tipping furniture.  
This restraint may protect against tipping furniture.  
Do not allow children to climb on furniture.  
This restraint is not a substitute for proper adult supervision.  
Failure to detach this restraint before moving the furniture may result in injury and damage.

This restraint must be screwed to a wood stud on the wall, using the long screw provided.

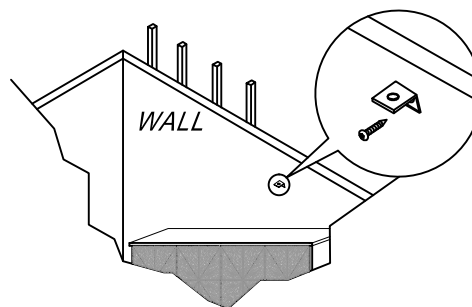
#### STEP 1

Secure the bracket to the back top of the unit, using the short screw provided, as shown in the drawing.



#### STEP 2

Locate the wood stud on the wall, and secure the other bracket, 2 inches below the back of the unit.



#### STEP 3

Place the furniture into position so both mounting brackets are vertically in line. Lace the end of the restraint strap through the larger hole in each mounting bracket. Bring both ends together and slide the flat end through the locking end, and drag it through, until the slack is removed. Ensure that the strap is securely laced and locked.

