



*ASSEMBLY INSTRUCTIONS
COASTER FINE FURNITURE*



Fine Furniture for every stage of life

603194P
Power Lift Recliner

ITEM: 603194P



ASSEMBLY INSTRUCTION

ASSEMBLY TIPS:

1. Remove hardware from box and sort by size.
2. Please check to see that all hardware and parts represent prior to start of assembly.
3. Please follow attached instruction in the same sequence as numbered to assure fast & easy assembly.



WARNING!

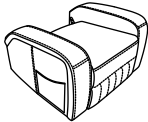

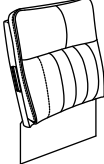


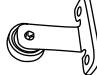

1. Don't attempt to repair or modify parts that are broken or defective. Please contact the store immediately.
2. This product is for home use only and not intended for commercial establishment.



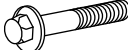

ASSEMBLY TIME

15 MINUTES

PARTS IDENTIFICATION

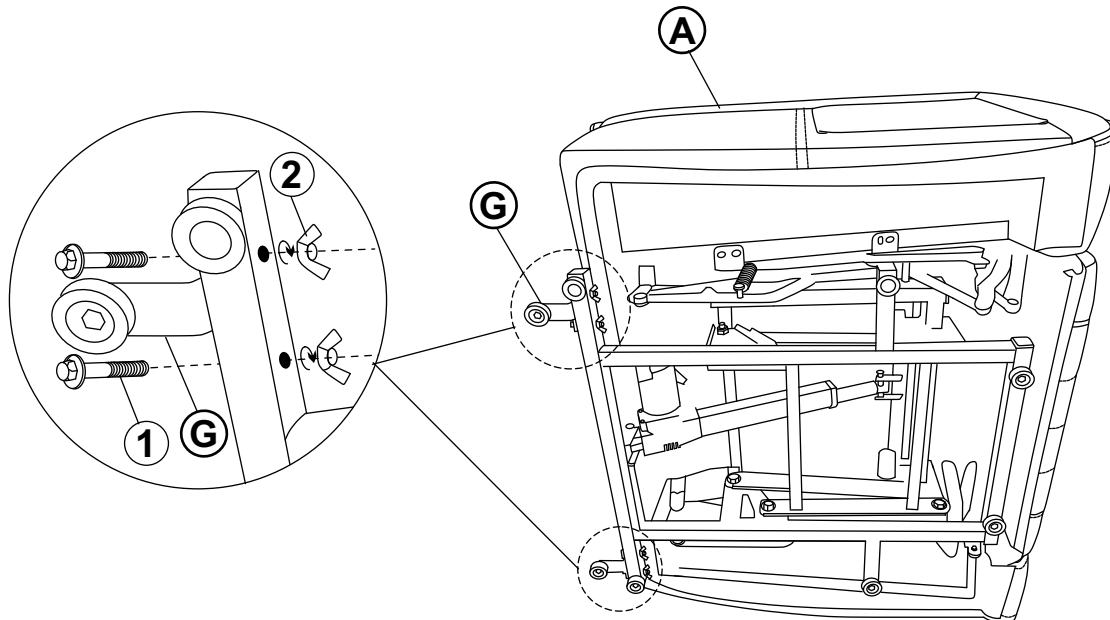
A	SEAT BODY		1PC	E	ADAPTER		1PC
B	BACKREST		1PC	F	CONTROLLER		1PC
C	LEFT EAR		1PC	G	SUPPORT LEG		2PCS
D	RIGHT EAR		1PC				

HARDWARE IDENTIFICATION

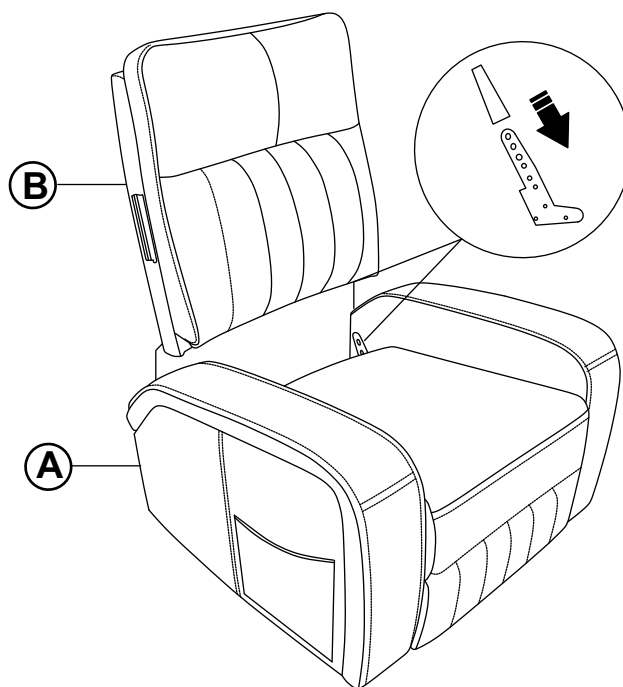
1	BOLT (45mm - BLK)		4PCS	2	BUTTERFLY NUT (SILVER)		4PCS
---	----------------------	---	------	---	---------------------------	---	------

ITEM: **603194P**
ASSEMBLY INSTRUCTION

STEP 1

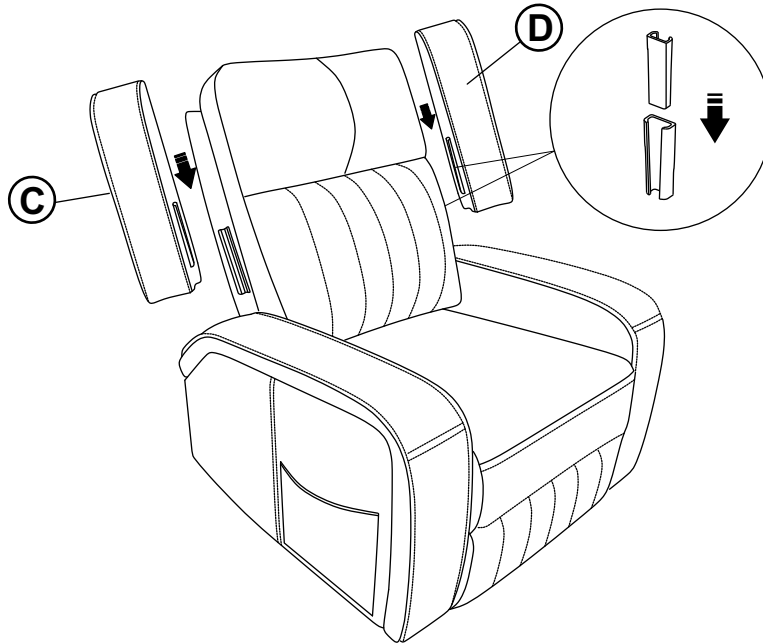


STEP 2

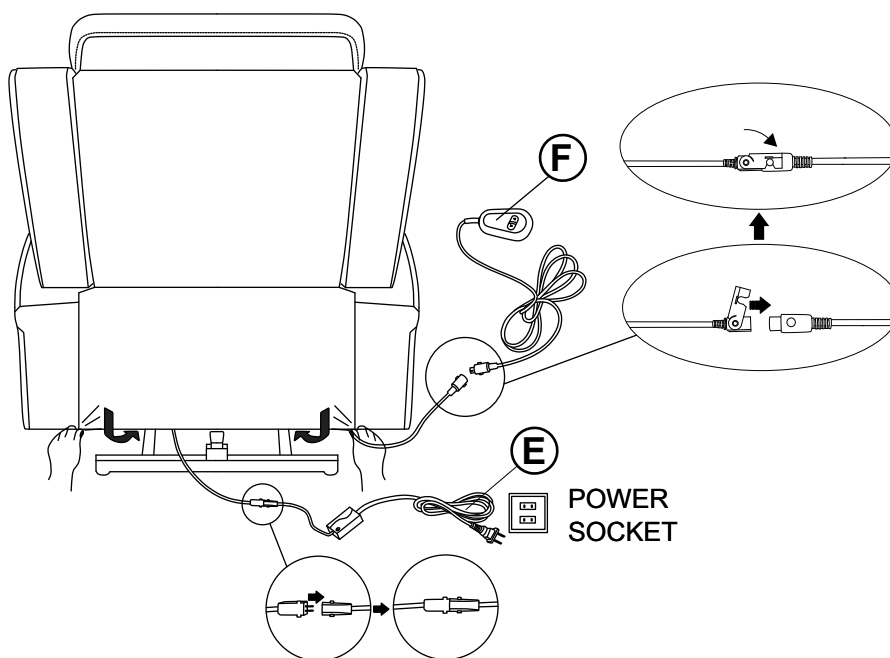


ITEM: **603194P**
ASSEMBLY INSTRUCTION

STEP 3



STEP 4

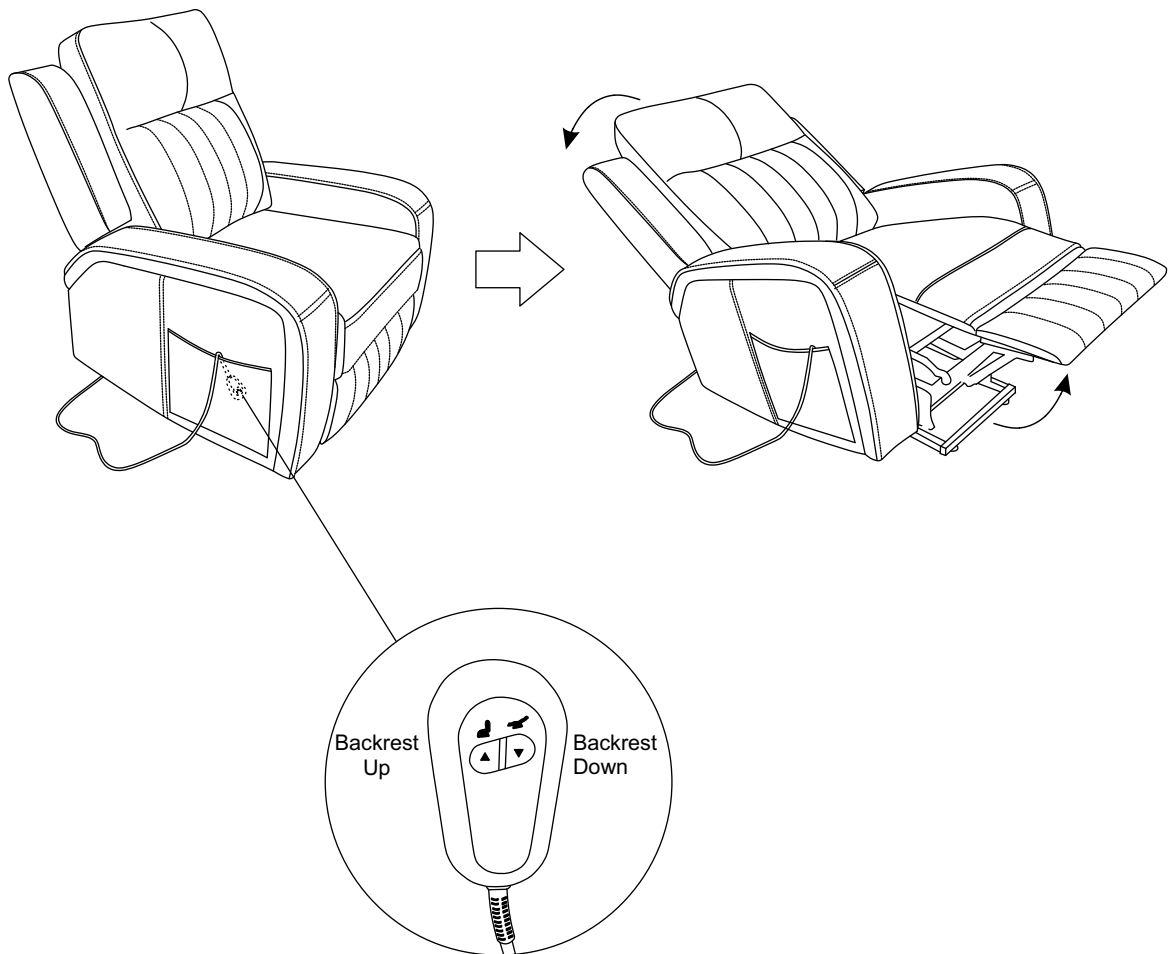


BACK VIEW

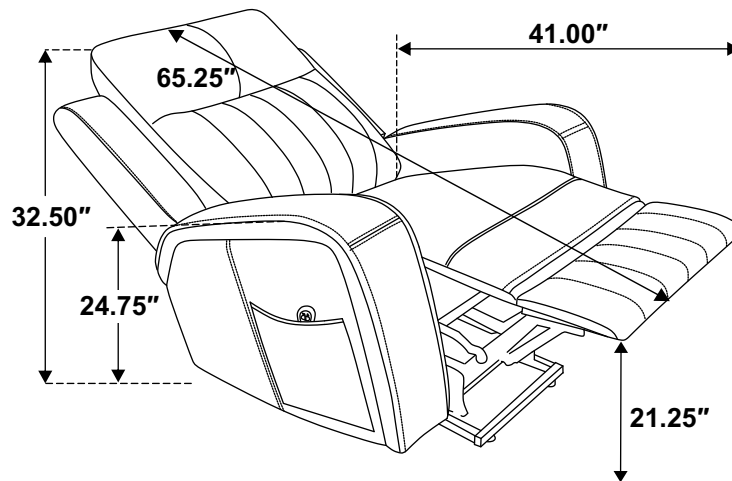
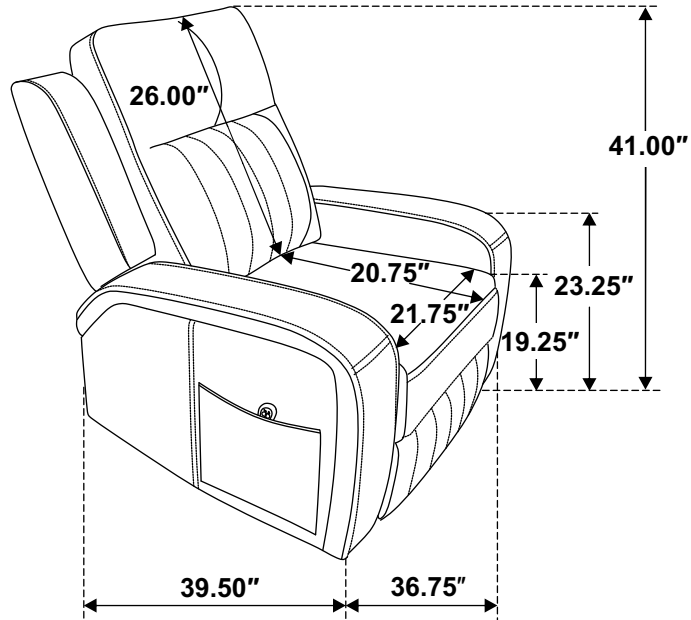
ITEM: **603194P**
ASSEMBLY INSTRUCTION



STEP 5
COMPLETE



ITEM: 603194P



Note: Dimension tolerance $\pm 5\%$