

*ASSEMBLY INSTRUCTIONS
COASTER FINE FURNITURE*



Fine Furniture for every stage of life

931129
SIDE TABLE

ITEM:931129



ASSEMBLY INSTRUCTIONS

ASSEMBLY TIPS:

1. Remove hardware from box and sort by size.
2. Please check to see that all hardware and parts are present prior to start of assembly.
3. Please follow attached instructions in the same sequence as numbered to assure fast & easy assembly.



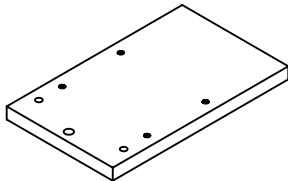
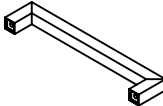
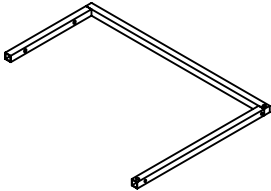
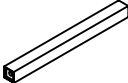
WARNING!

1. Don't attempt to repair or modify parts that are broken or defective. Please contact the store immediately.
2. This product is for home use only and not intended for commercial establishments.




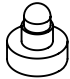
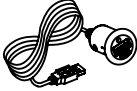
ASSEMBLY TIME

20 MINUTES

PARTS IDENTIFICATION

A	TOP		1 PC	C	TOP FRAME		1 PC
B	SIDE FRAME		2 PCS	D	CROSSBAR		2 PCS

HARDWARE IDENTIFICATION

Z							
NO	DESCRIPTION	FIGURE	Q'TY	NO	DESCRIPTION	FIGURE	Q'TY
1	BOLT M6x38mm BLK		10 PCS	4	FLOOR PROTECTOR 18x18mm		4 PCS
2	ALLEN WRENCH 4mm SR		1 PC	5	PLASTIC FEET		4 PCS
3	USB		1 PC				

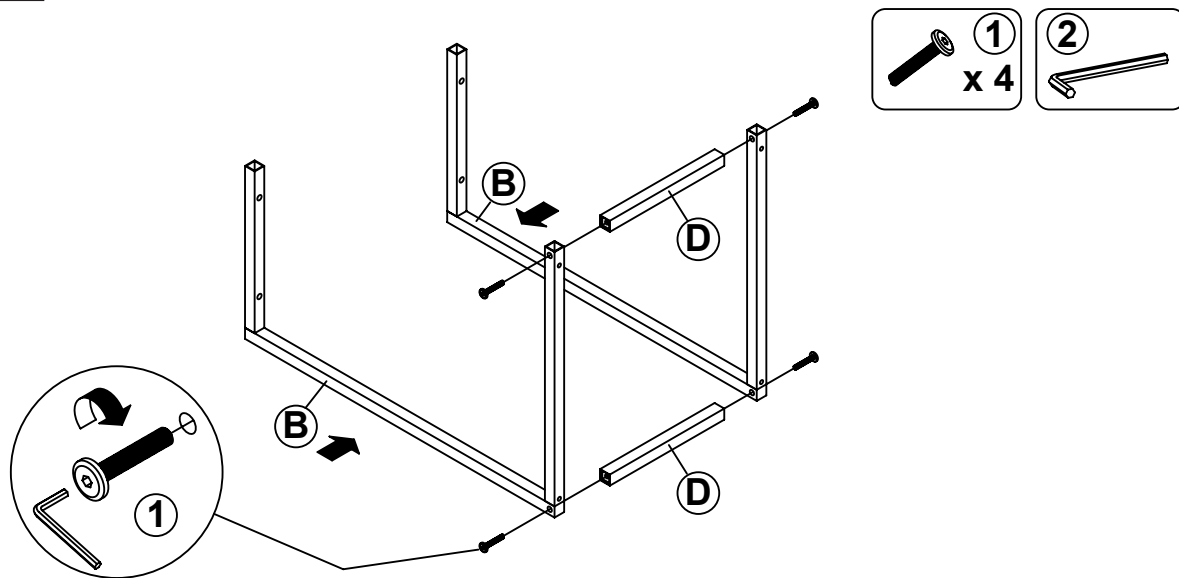
NOTE:

Phillips head screw driver is required in the assembly process; however, manufacturer does not provide this item.

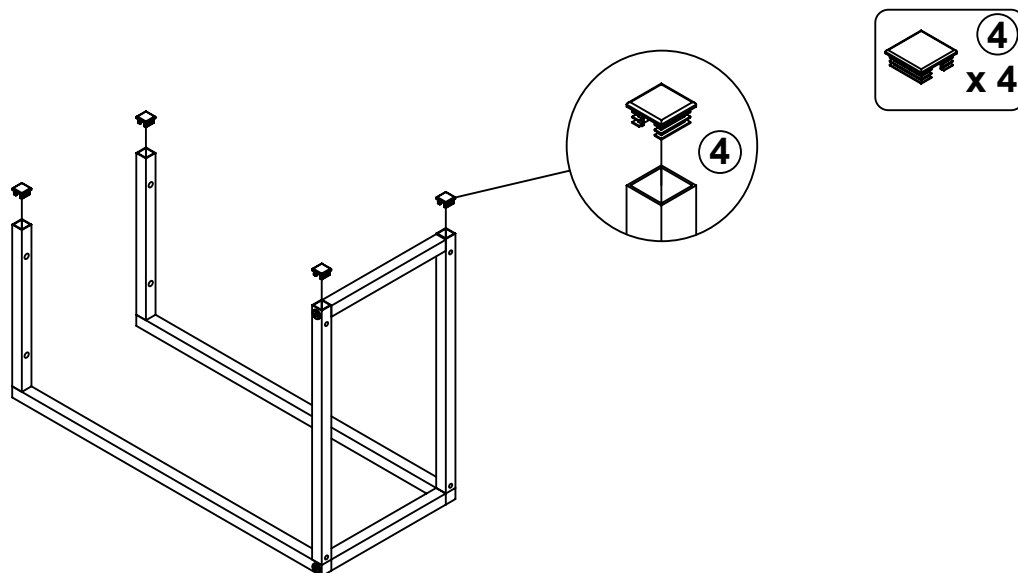
ITEM: **931129**

COASTER
FINE FURNITURE

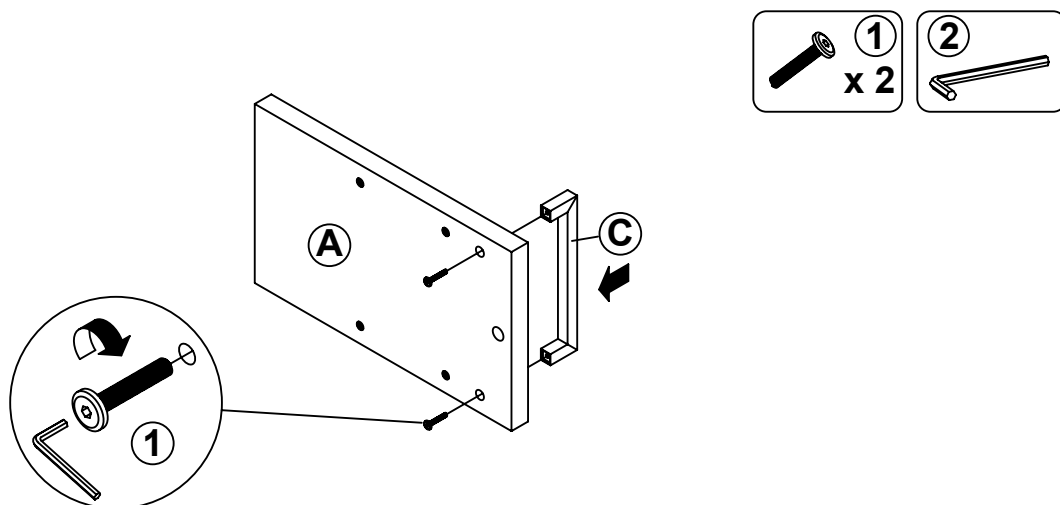
STEP 1



STEP 2

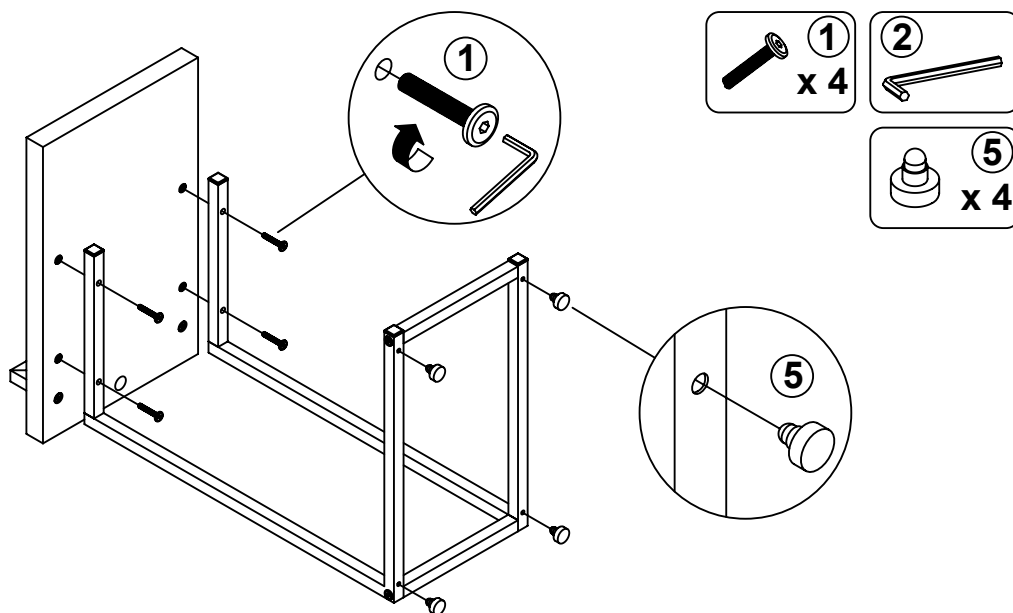


STEP 3

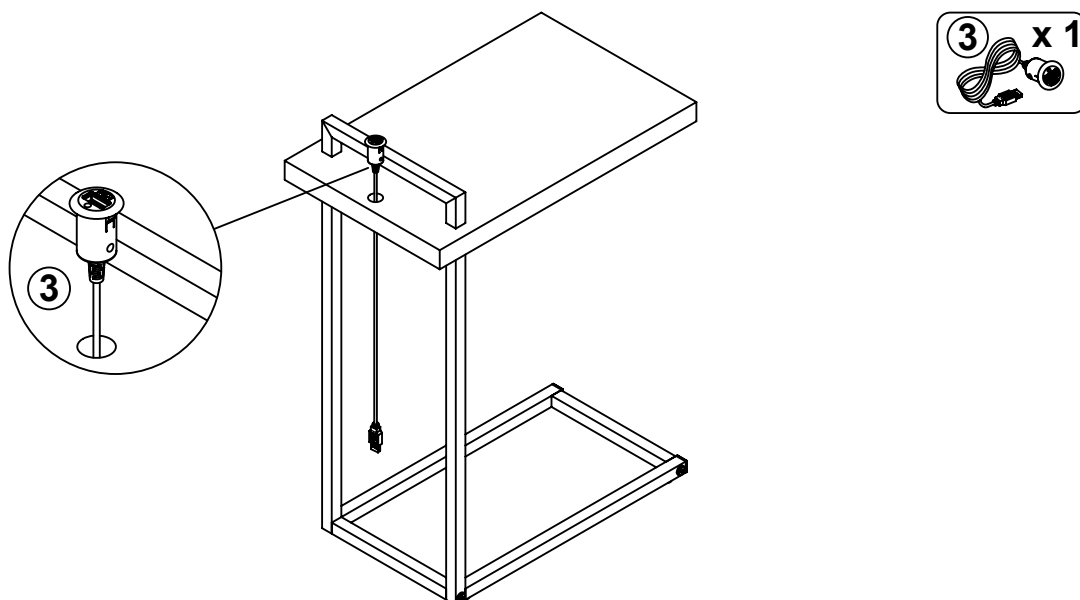


ITEM: 931129

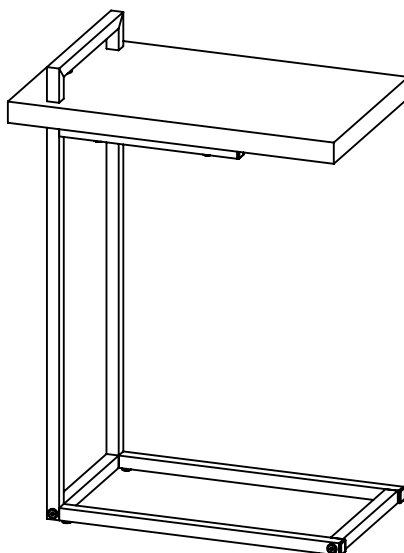
STEP 4



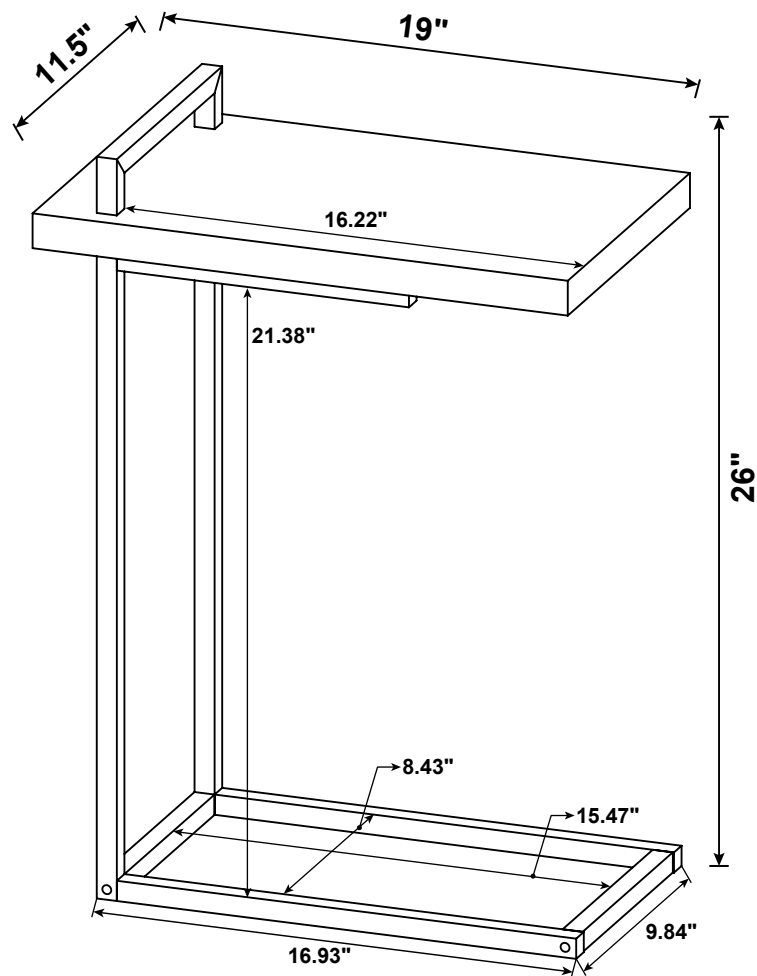
STEP 5



STEP 6
COMPLETE



ITEM:931129



Note : Dimension tolerance $\pm 5\%$