

*ASSEMBLY INSTRUCTIONS
COASTER FINE FURNITURE*



Fine Furniture for every stage of life

902933
SIDE TABLE

ITEM:902933

ASSEMBLY INSTRUCTIONS

ASSEMBLY TIPS:

1. Remove hardware from box and sort by size.
2. Please check to see that all hardware and parts are present prior to start of assembly.
3. Please follow attached instructions in the same sequence as numbered to assure fast & easy assembly.



WARNING!

1. Don't attempt to repair or modify parts that are broken or defective. Please contact the store immediately.
2. This product is for home use only and not intended for commercial establishments.

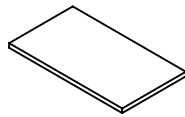


ASSEMBLY TIME

30 MINUTES

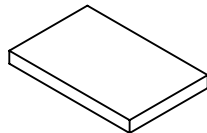
PARTS IDENTIFICATION

A BOTTOM PANEL



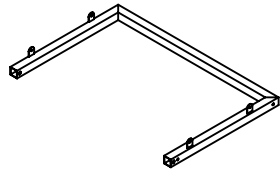
1 PC

B TOP PANEL



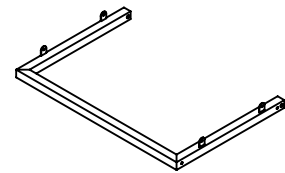
1 PC

C LEFT METAL FRAME



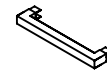
1 PC

D RIGHT METAL FRAME




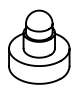

1 PC

E CROSS BRACE



2 PCS

HARDWARE IDENTIFICATION

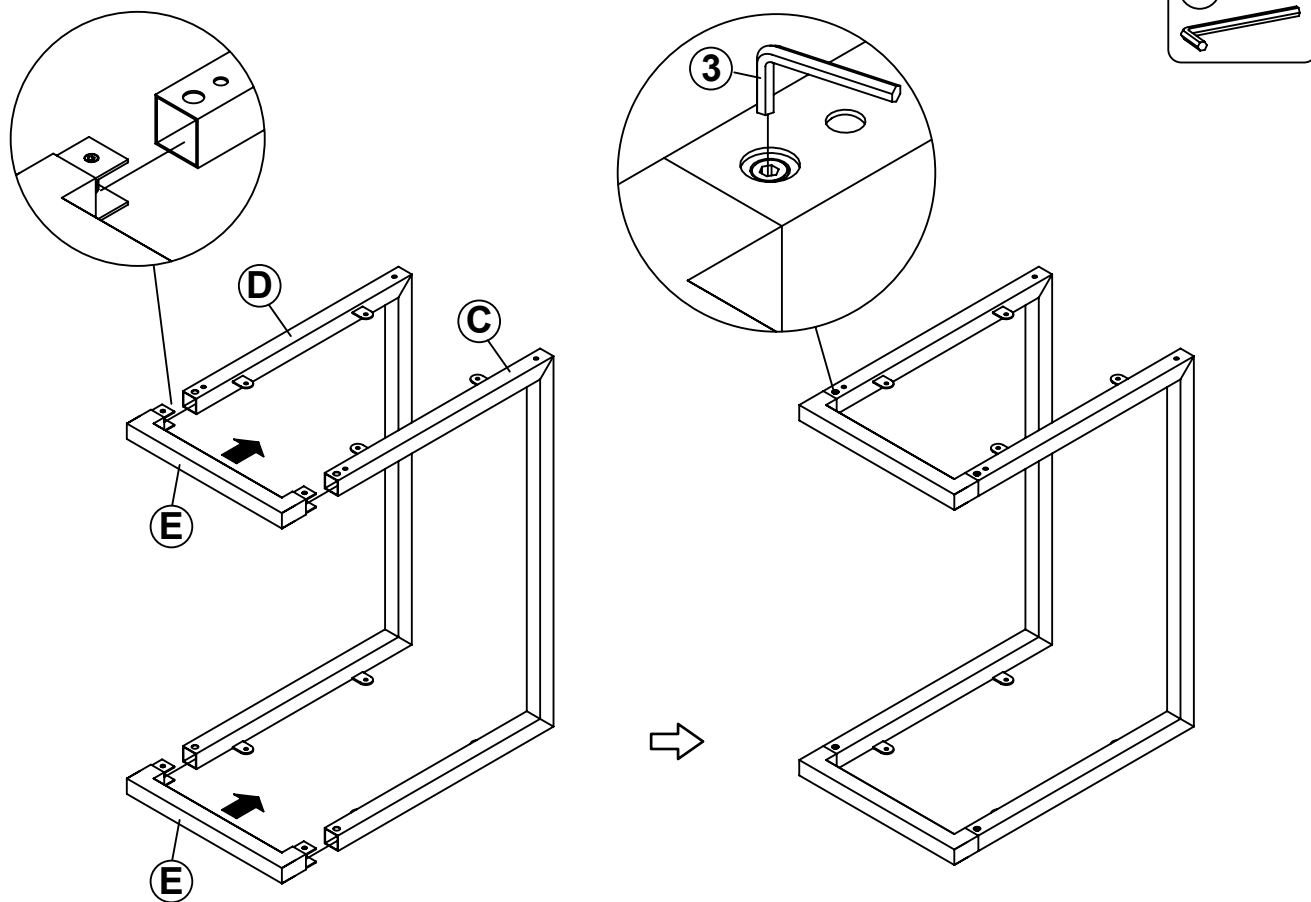
| Z NO | DESCRIPTION | FIGURE | Q'TY |
|------|-------------------|--|-------|
| 1 | SCREW Ø 4x12mm |  | 8 PCS |
| 2 | PLASTIC FEET |  | 4 PCS |
| 3 | ALLEN WRENCH |  | 1 PC |

NOTE:

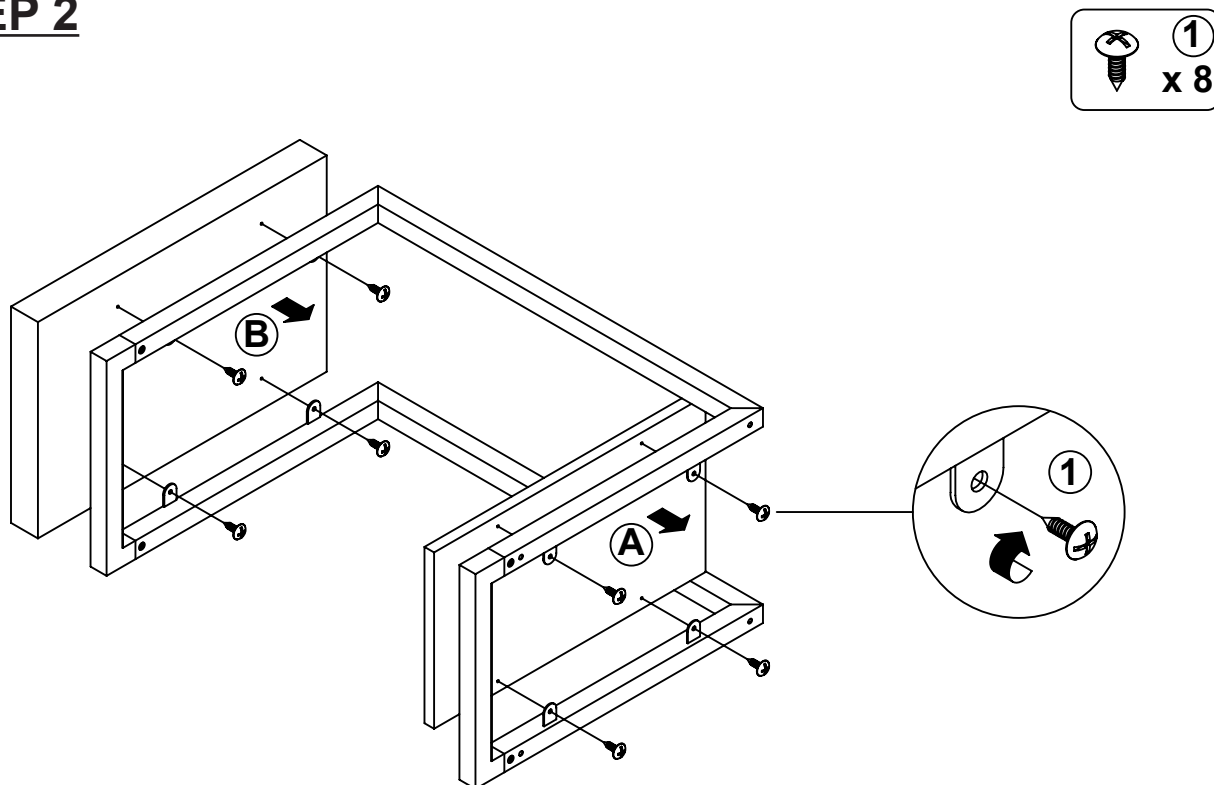
Phillips head screw driver is required in the assembly process; however, manufacturer does not provide this item.

ITEM: 902933

STEP 1



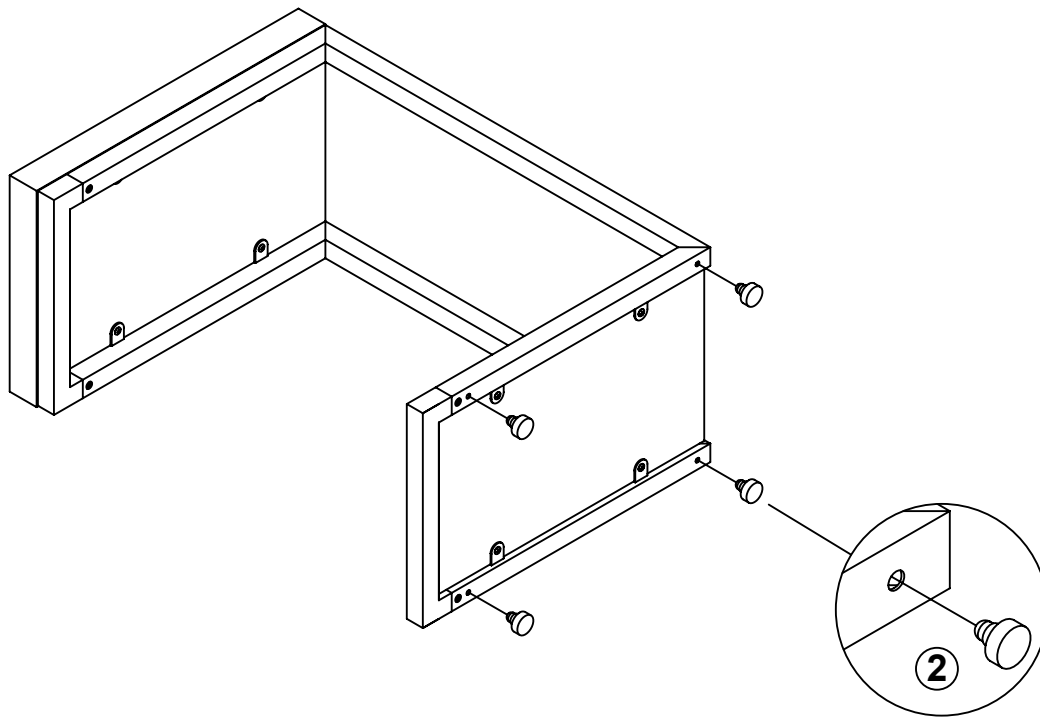
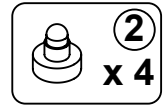
STEP 2



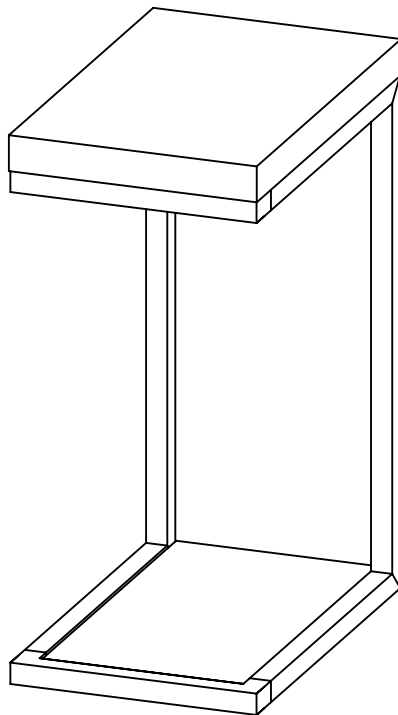
ITEM: **902933**

COASTER
FINE FURNITURE

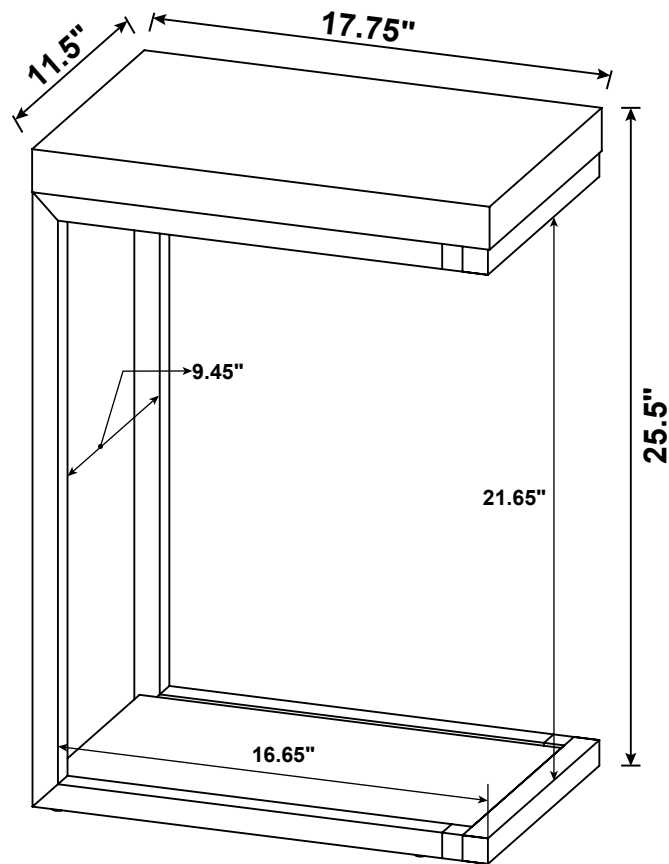
STEP 3



STEP 4
COMPLETE



ITEM:902933



Note : Dimension tolerance $\pm 5\%$