



*ASSEMBLY INSTRUCTIONS*  
*COASTER FINE FURNITURE*



*Fine Furniture for every stage of life*

**123153**  
**Dining Side Chair**

ITEM:123153



## ASSEMBLY INSTRUCTIONS

### ASSEMBLY TIPS:

1. Remove hardware from box and sort by size.
2. Please check to see that all hardware and parts are present prior to start of assembly.
3. Please follow attached instructions in the same sequence as numbered to assure fast & easy assembly.



### WARNING!

1. Don't attempt to repair or modify parts that are broken or defective. Please contact the store immediately.
2. This product is for home use only and not intended for commercial establishments.



ASSEMBLY TIME

15 MINUTES

## PARTS IDENTIFICATION

A1	RIGHT LEG FRAME		1PC
A2	LEFT LEG FRAME		1PC
B	BOTTOM RAIL		1PC
C	FRONT RAIL		1PC
D	BACK RAIL		1PC
E	SEAT AND BACK		1PC

## HARDWARE IDENTIFICATION

1	SHORT BOLT (Ø1/4" x 9/16" - BLK)		14PCS
2	LONG BOLT (Ø1/4" x 1-3/8" - BLK)		2PCS
3	LOCK WASHER (Ø1/4" x 10mm - BLK)		16PCS
4	FLAT WASHER (Ø1/4" x 10mm - BLK)		16PCS
5	ALLEN WRENCH (M4 - 64mm - BLK)		1PC

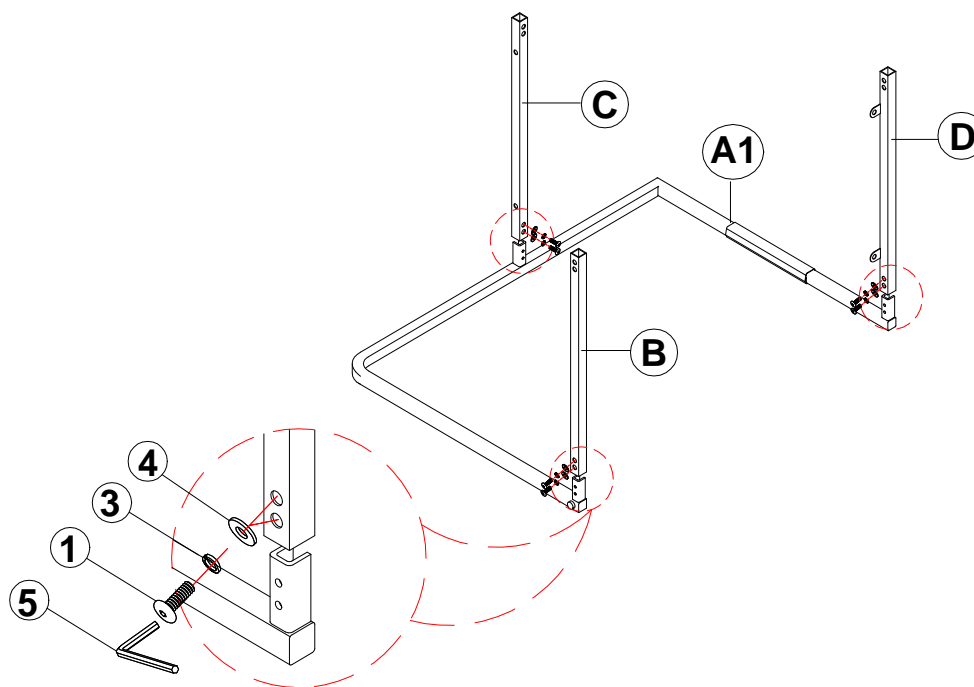
### NOTE:

Quantities shown are for one chair.

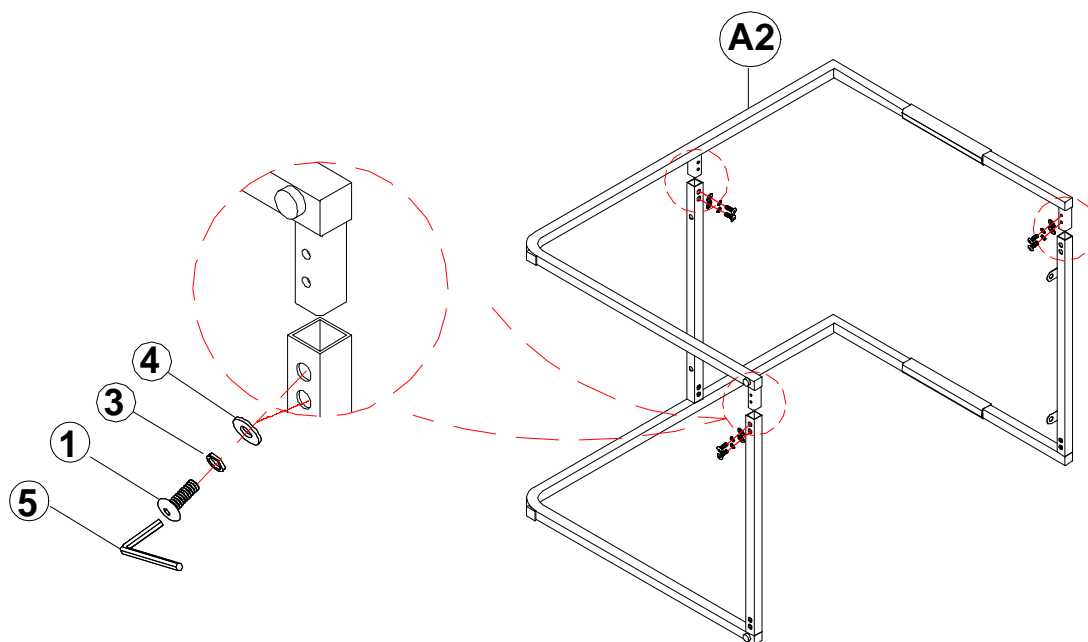
ITEM: **123153**

**ASSEMBLY INSTRUCTIONS**

**STEP 1**



**STEP 2**

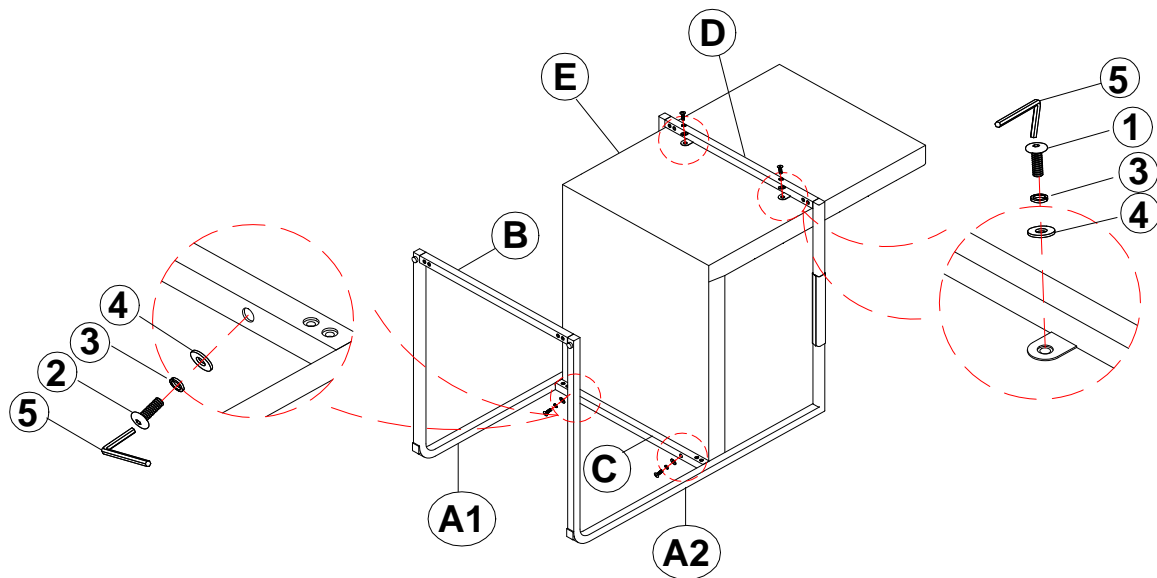


ITEM: **123153**



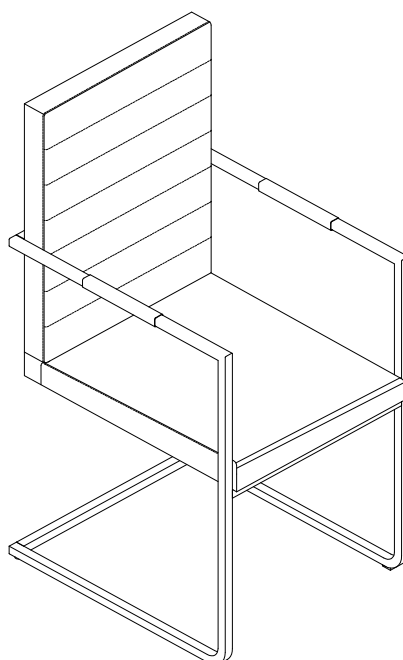
**ASSEMBLY INSTRUCTIONS**

**STEP 3**

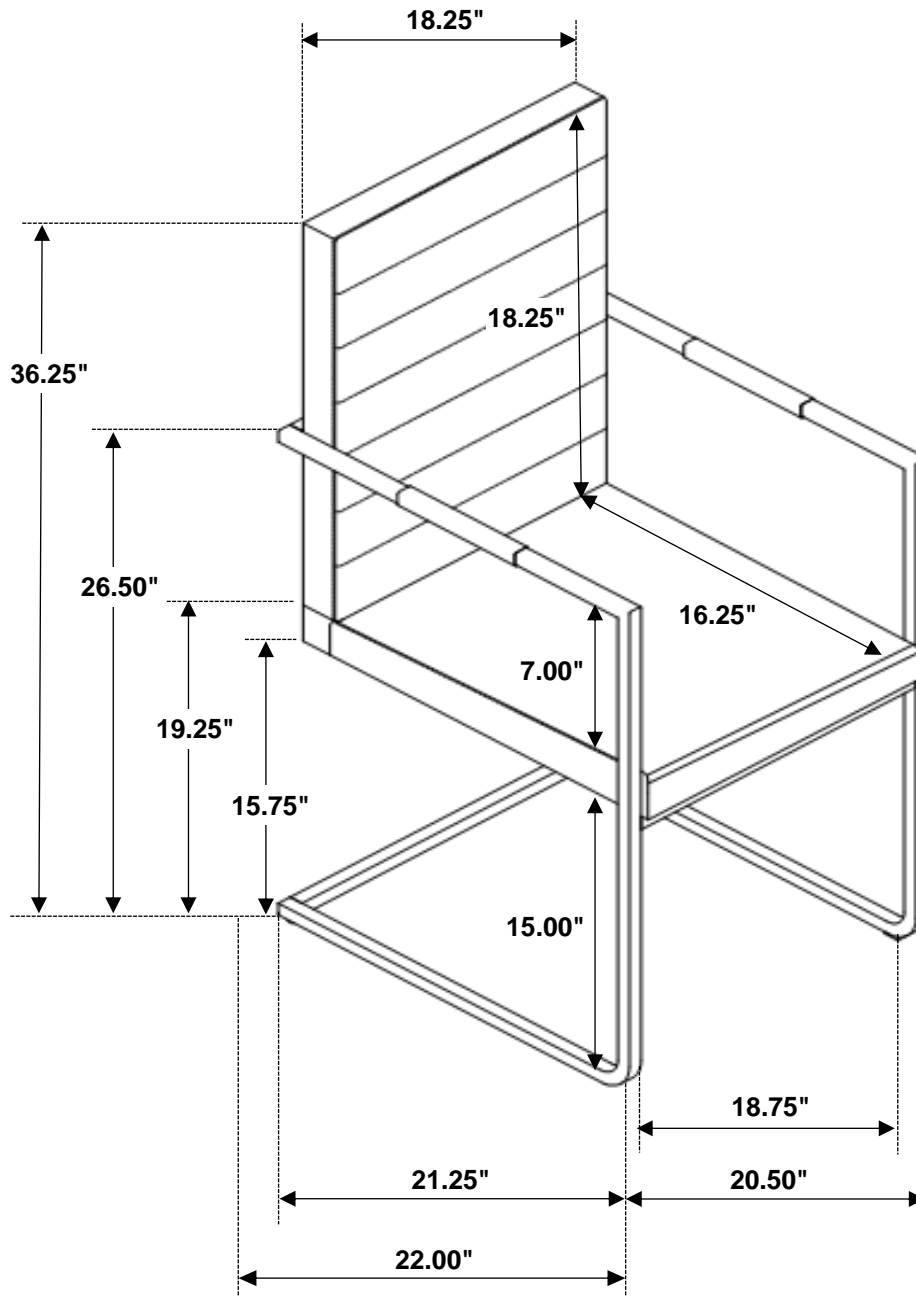


**STEP 4**

**COMPLETE**



ITEM: **123153**



Note: Dimension tolerance  $\pm 5\%$