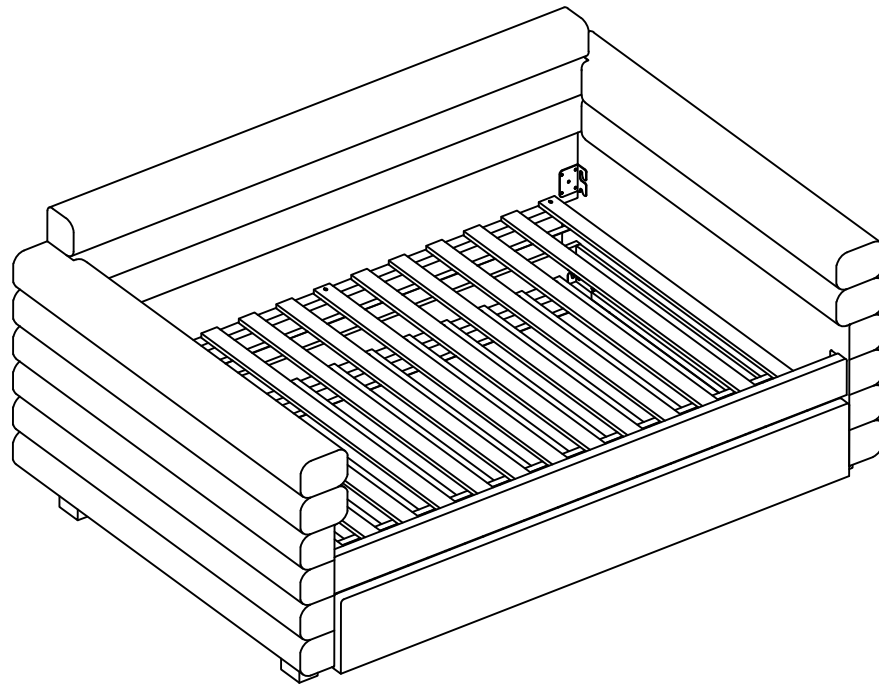


ASSEMBLY INSTRUCTIONS
COASTER FINE FURNITURE



Fine Furniture for every stage of life

300718(B1&B2)
Day bed

ITEM: 300718 (B1&B2)



ASSEMBLY INSTRUCTIONS

ASSEMBLY TIPS:

1. Remove hardware from box and sort by size.
2. Please check to see that all hardware and parts are present prior to start of assembly.
3. Please follow attached instructions in the same sequence as numbered to assure fast & easy assembly.



WARNING!

1. Don't attempt to repair or modify parts that are broken or defective. Please contact the store immediately.
2. This product is for home use only and not intended for commercial establishments.



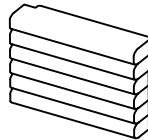
ASSEMBLY TIME

30 MINUTES

PARTS IDENTIFICATION

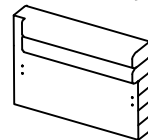
B1 (BOX 1)

A LEFT SIDE PANEL



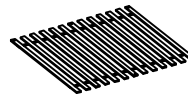
1PC

B RIGHT SIDE PANEL



1PC

C ROLL SLAT (13PCS)



2SETS

B2 (BOX 2)

D BACK PANEL



1PC

E FRONT RAIL



1PC

F TRUNDLE BACK PANEL



1PC

G LEG



4PCS

H TRUNDLE FRONT PANEL



1PC

I TRUNDLE SIDE PANEL WITH CASTER



2PCS

NOTE:

Phillips head screw driver is required in the assembly process; however, manufacturer does not provide this item.

ITEM: 300718 (B1&B2)



ASSEMBLY INSTRUCTIONS

ASSEMBLY TIPS:

1. Remove hardware from box and sort by size.
2. Please check to see that all hardware and parts are present prior to start of assembly.
3. Please follow attached instructions in the same sequence as numbered to assure fast & easy assembly.



WARNING!

1. Don't attempt to repair or modify parts that are broken or defective. Please contact the store immediately.
2. This product is for home use only and not intended for commercial establishments.

HARDWARE IDENTIFICATION

Z-B2(BOX 2) - HARDWARE PACK IS LOCATED IN 300718(B2)

1	BOLT 1 (Ø5/16" x 20mm - RBW)		4PCS
2	BOLT 2 (Ø5/16" x 25mm - RBW)		8PCS
3	BOLT 3 (Ø5/16" x 38mm - RBW)		8PCS
4	BOLT 4 (Ø5/16" x 60mm - RBW)		4PCS
5	FLAT WASHER (Ø5/16" x 19mm - RBW)		24PCS
6	LOCK WASHER (Ø5/16" x R6.5 - RBW)		24PCS
7	ALLEN WRENCH (M5 x 75mm x 32mm)		1PC
8	METAL PLATE (100mm x 40mm x 2mm)		2PCS
9	FLAT HEAD SCREW (M4 x 30mm - RBW)		12PCS

NOTE:

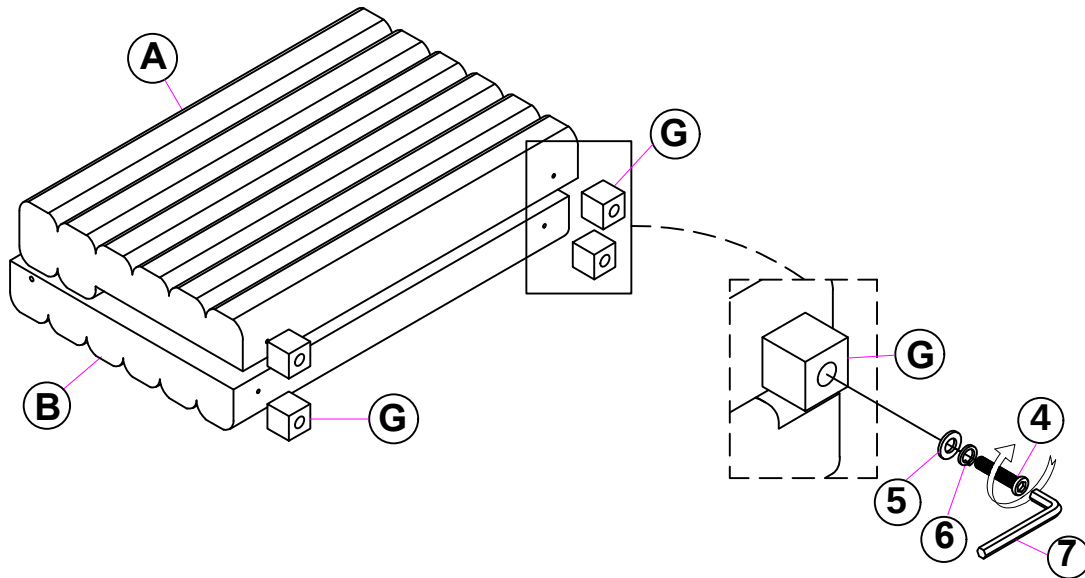
Phillips head screw driver is required in the assembly process; however, manufacturer does not provide this item.

ITEM: 300718 (B1&B2)

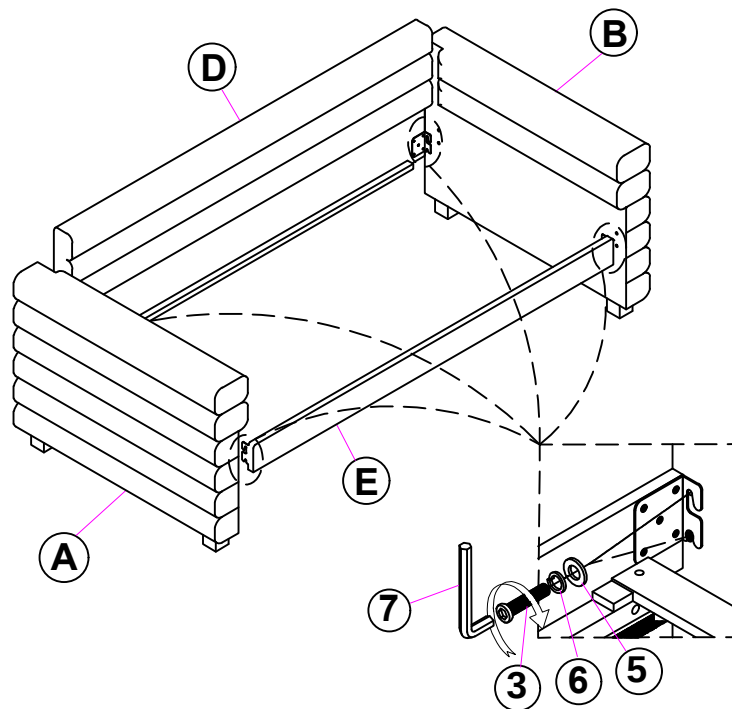
ASSEMBLY INSTRUCTIONS



STEP 1



STEP 2

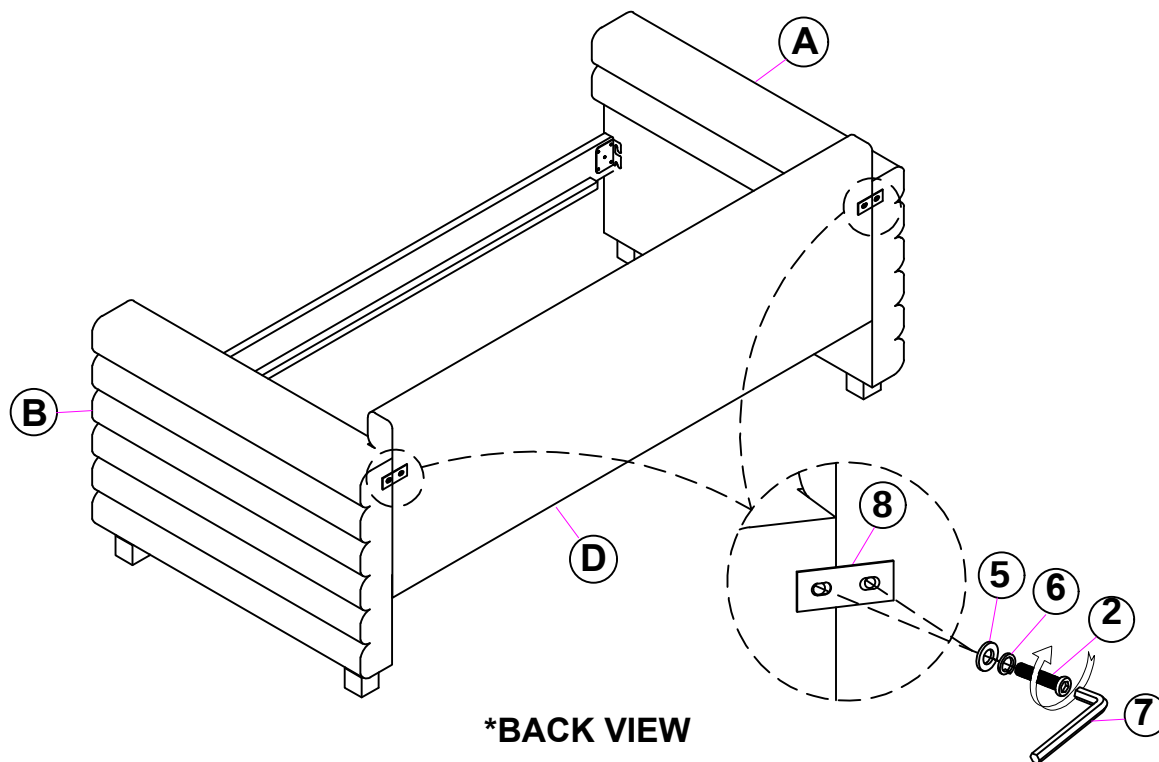


ITEM: **300718 (B1&B2)**

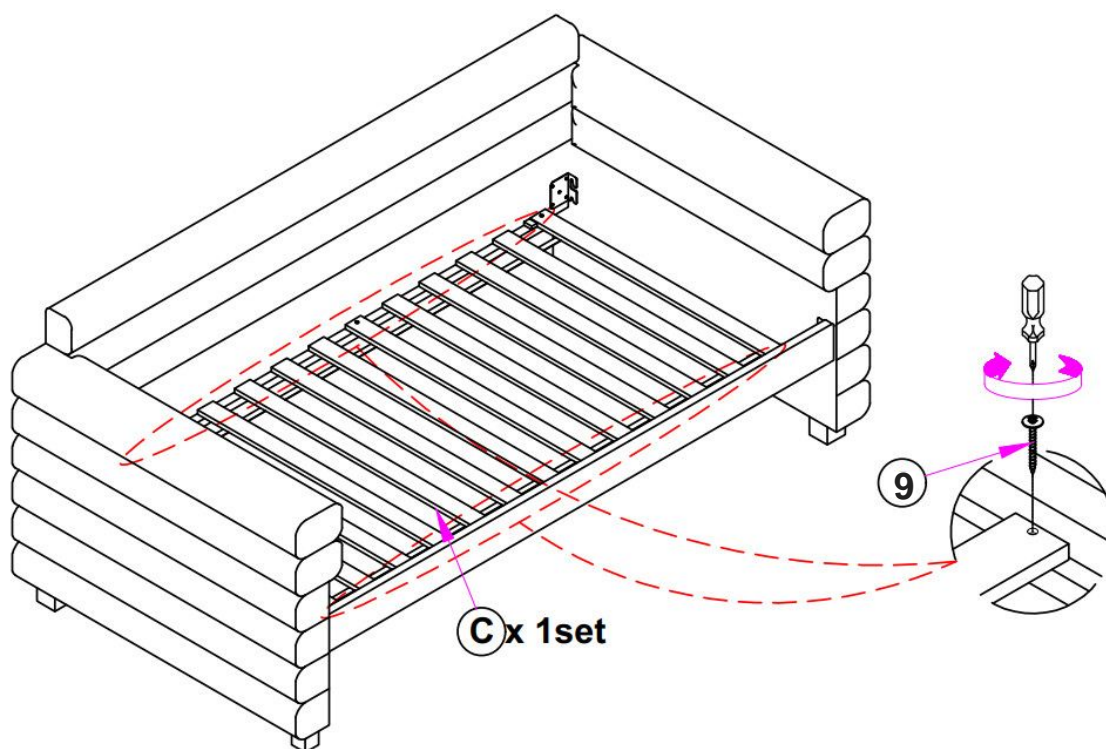
ASSEMBLY INSTRUCTIONS



STEP 3



STEP 4

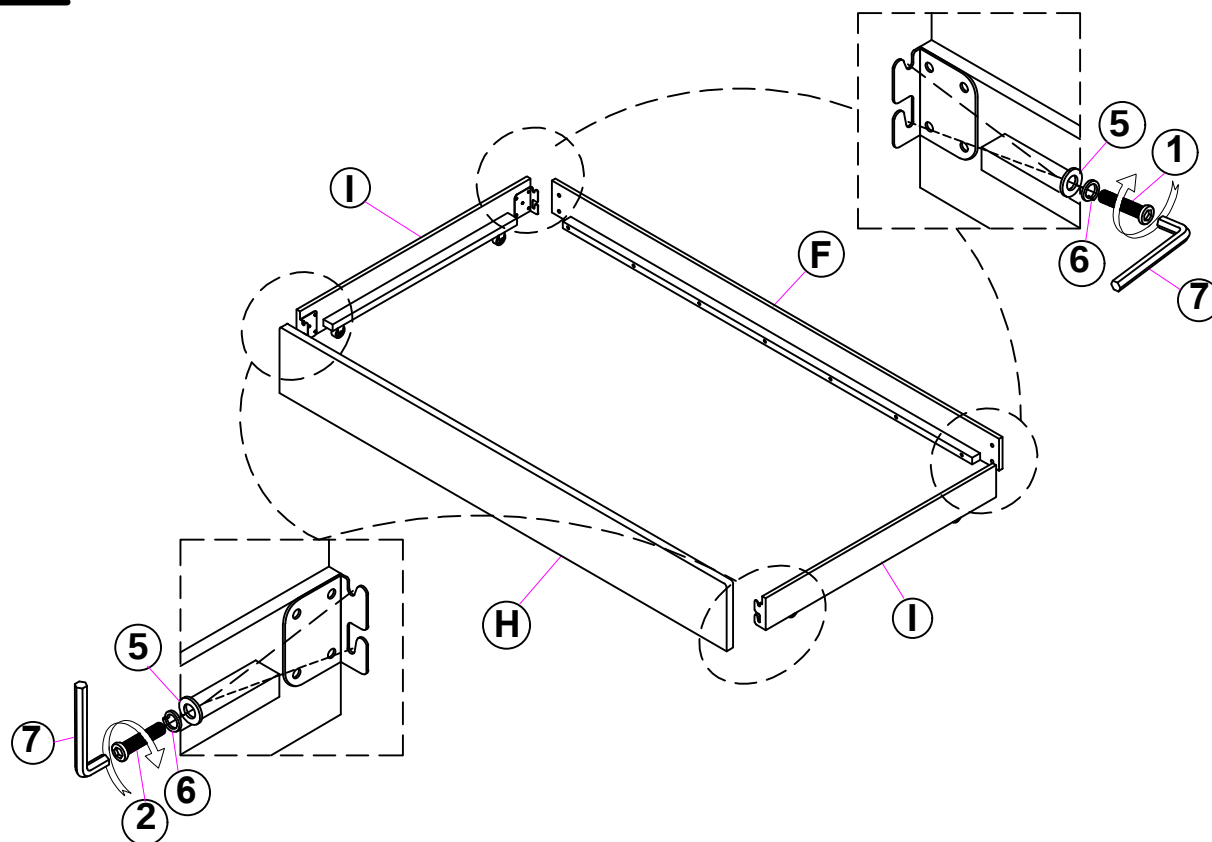


ITEM: **300718 (B1&B2)**

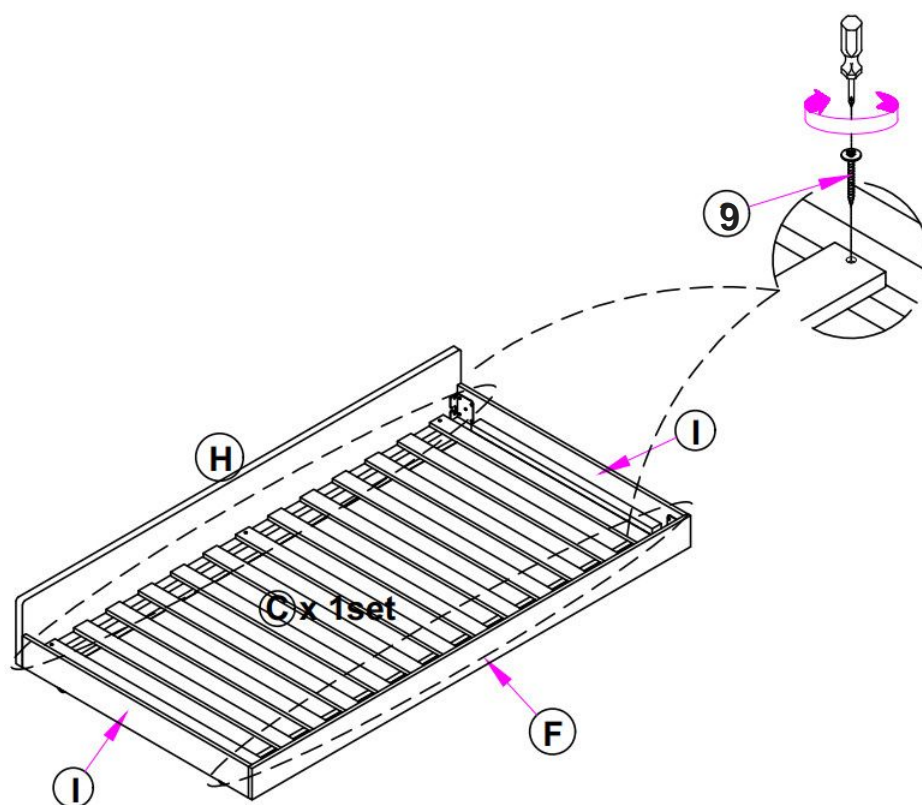
ASSEMBLY INSTRUCTIONS



STEP 5



STEP 6

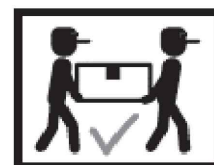
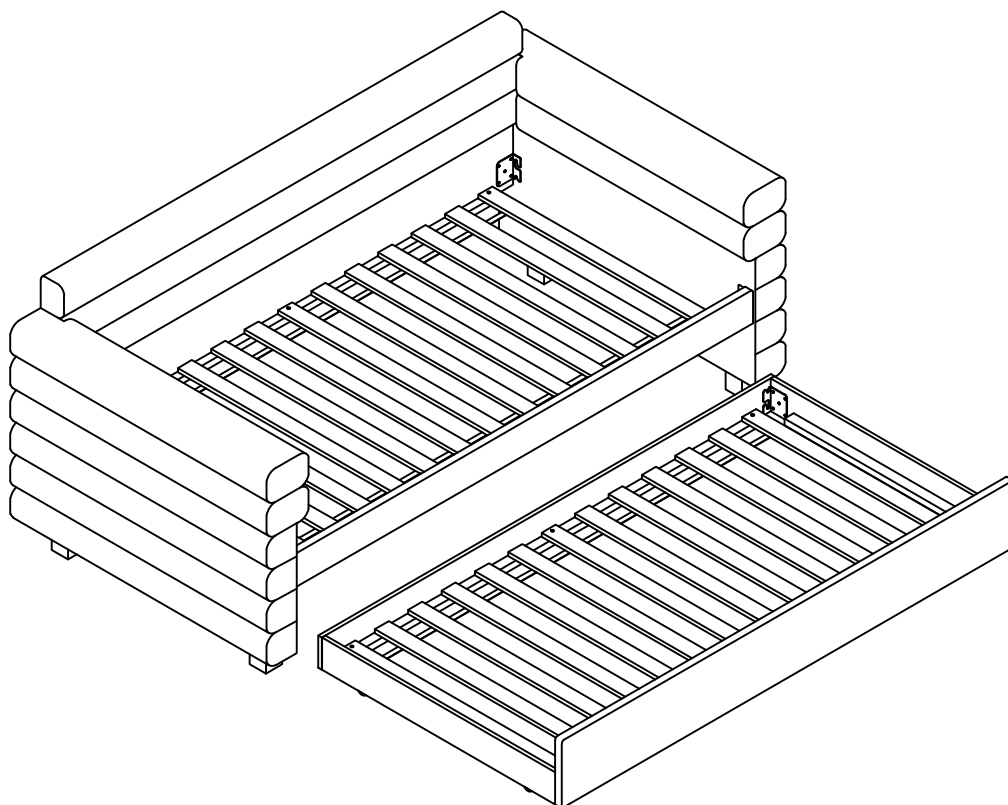


ITEM: **300718 (B1&B2)**



ASSEMBLY INSTRUCTIONS

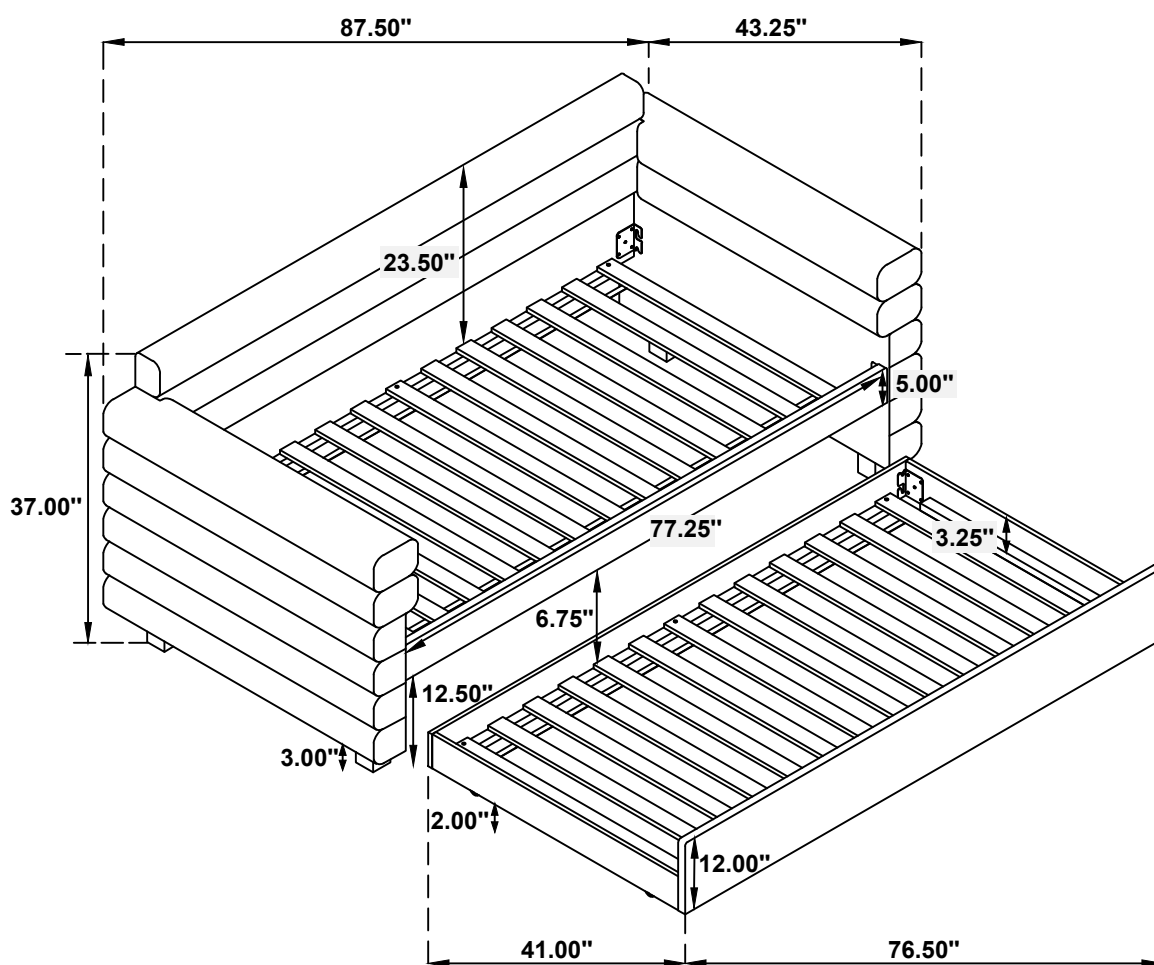
STEP 7
COMPLETE



ITEM: 300718 (B1&B2)



Daybed Inner Size: 77.25"W X 39.25"D
Trundle Inner Size: 75.00"W X 39.25"D



Note: Dimension tolerance $\pm 5\%$