

ASSEMBLY INSTRUCTIONS
COASTER FINE FURNITURE



Fine Furniture for every stage of life

552003
CHAIR

ITEM: **552003**



ASSEMBLY INSTRUCTIONS

ASSEMBLY TIPS:

1. Remove hardware from box and sort by size
2. Please check to see that all hardware and parts are present prior to start of assembly.
3. Please follow attached instruction in the same sequence as numbered to assure fast & easy assembly.



Warning!

1. Don't attempt to repair or modify parts that are broken or defective. Please contact the store immediately.
2. This product is for home use only and not intended for commercial establishment



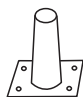




ASSEMBLY TIME

30MINUTES

PARTS IDENTIFICATION:

Z HARDWARE PACKAGE

A	BASE		1PC
B	BACK CUSHION		1PC
C	LEG		4PCS

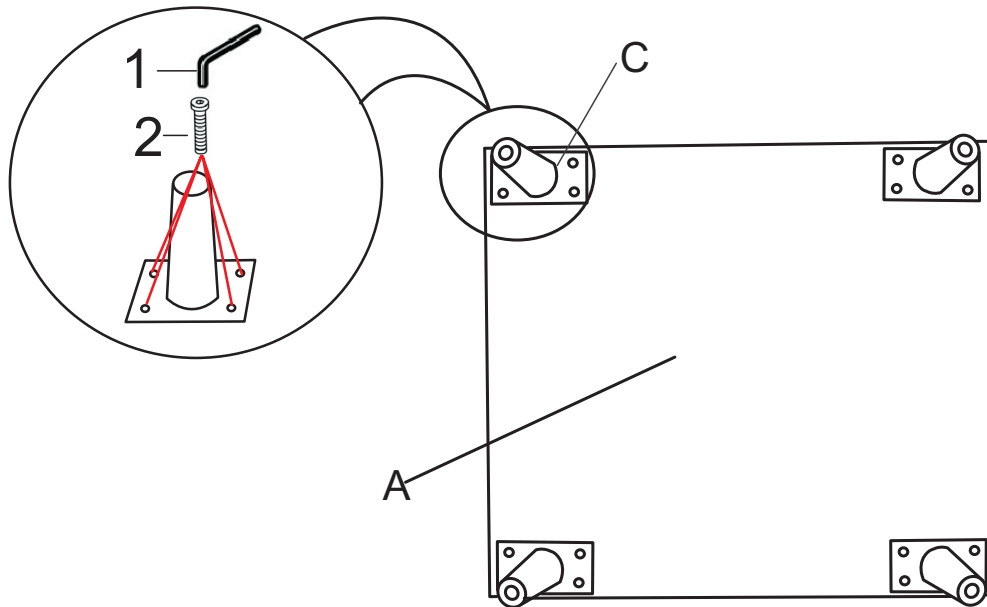
NO	DESCRIPTION	FIGURE	QTY
1	BOLT (M6*25mm)- RBW		16PCS
2	ALLEN KEY (M6)-SR		1PC

ITEM: **552003**

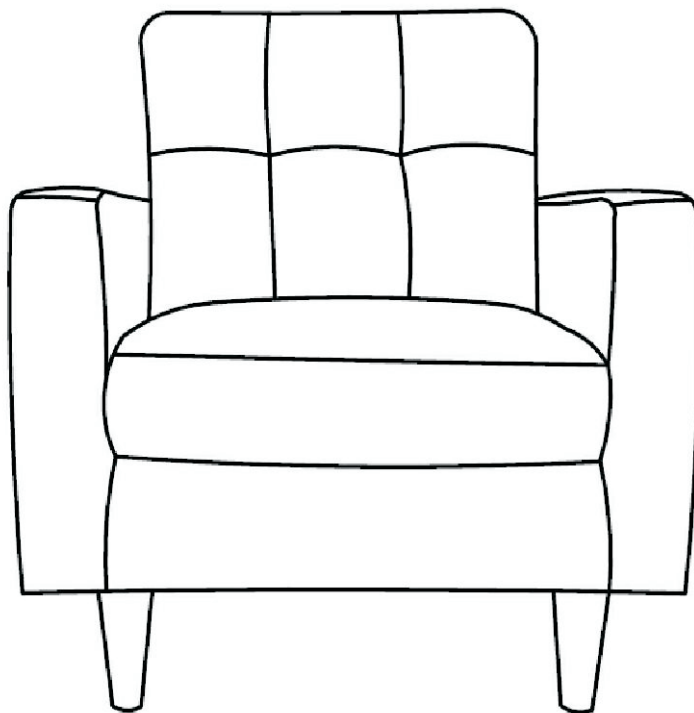


ASSEMBLY INSTRUCTIONS

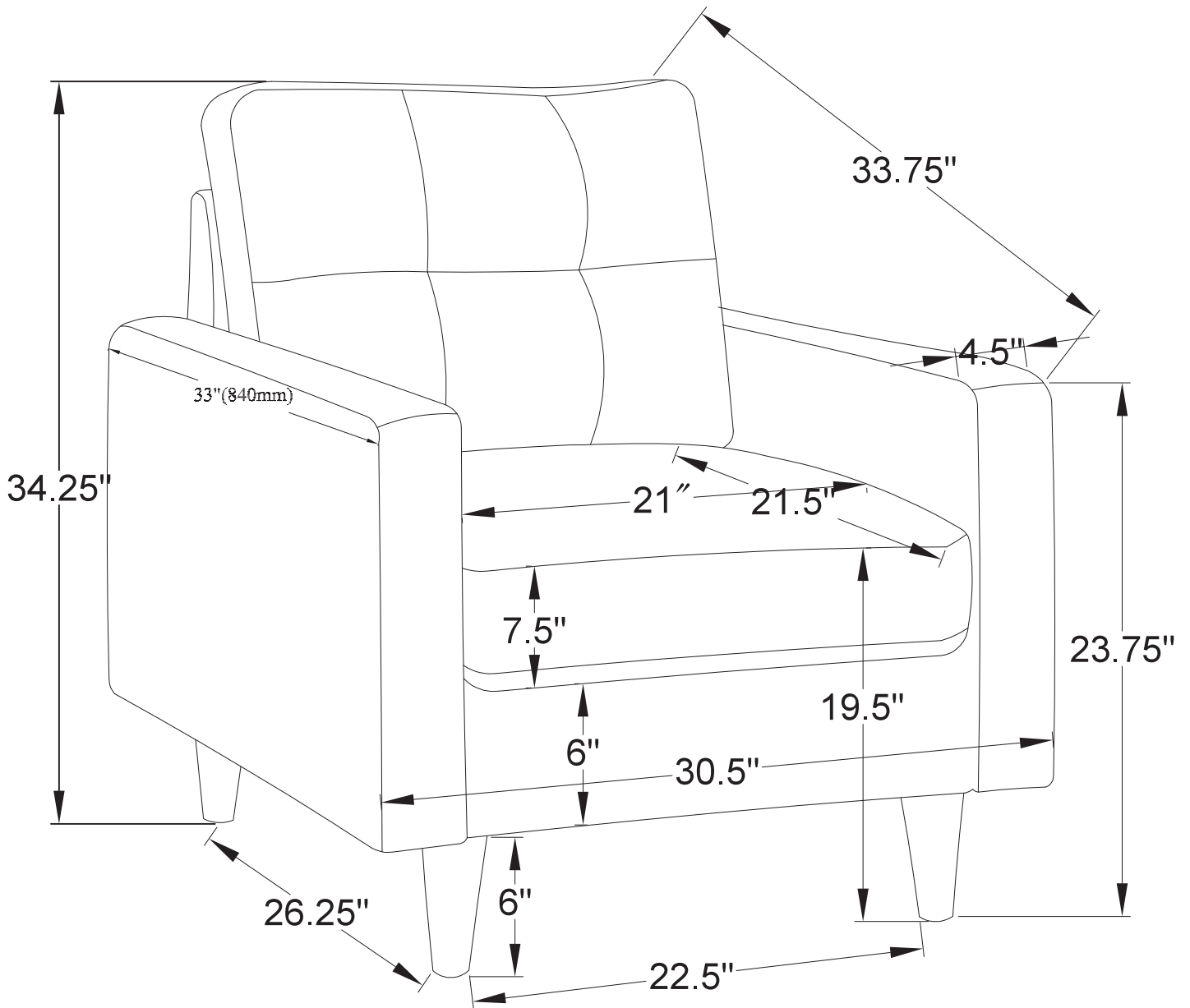
STEP 1



STEP 2



ITEM NO: 552003



Note: Dimension tolerance $\pm 5\%$