



ASSEMBLY INSTRUCTIONS COASTER FINE FURNITURE



903095
ACCENT CHAIR

ITEM:903095



ASSEMBLY INSTRUCTIONS

ASSEMBLY TIPS:

1. Remove hardware from box and sort by size.
2. Please check to see that all hardware and parts are present prior to start of assembly.
3. Please follow attached instructions in the same sequence as numbered to assure fast & easy assembly.



WARNING!

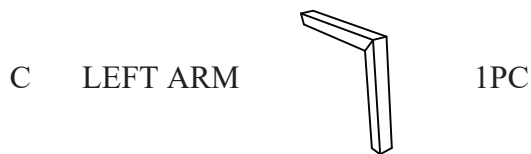
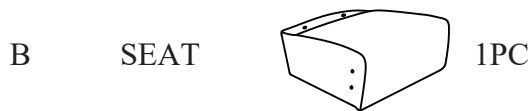
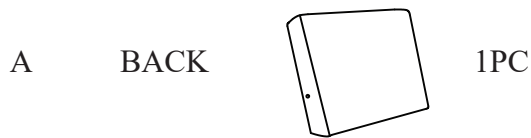
1. Don't attempt to repair or modify parts that are broken or defective. Please contact the store immediately.
2. This product is for home use only and not intended for commercial establishments.



ASSEMBLY TIME

5 MINUTES

PARTS IDENTIFICATION:



Z HARDWARE IDENTIFICATION

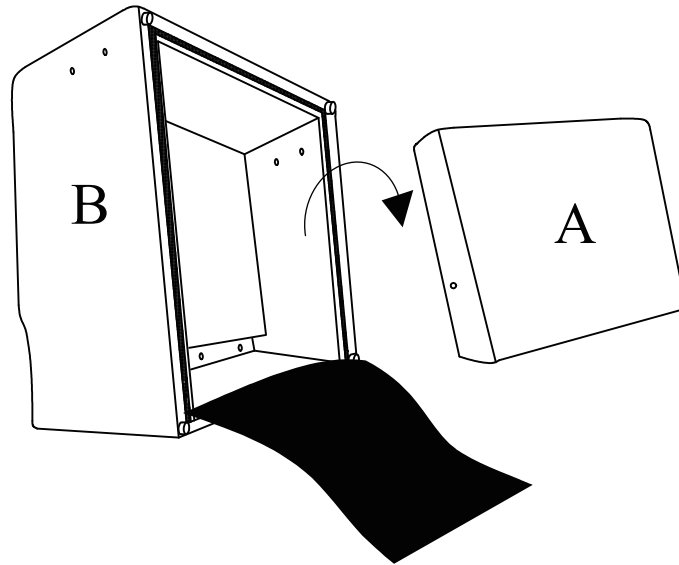
NO	DESCRIPTION	FIGURE	QTY
1	BOLT (M8 x 45mm)-SR		4 PCS
2	BOLT (M8 x 60mm)-SR		2 PCS
3	FLAT WASHER (M8)-SR		6 PCS
4	IRON SHEET		2 PCS
5	NUT		2 PCS
6	BOLT		2 PCS
7	OPEN END WRENCH		1 PC
8	ALLEN KEY (M6)-SR		1 PC

ITEM: 903095

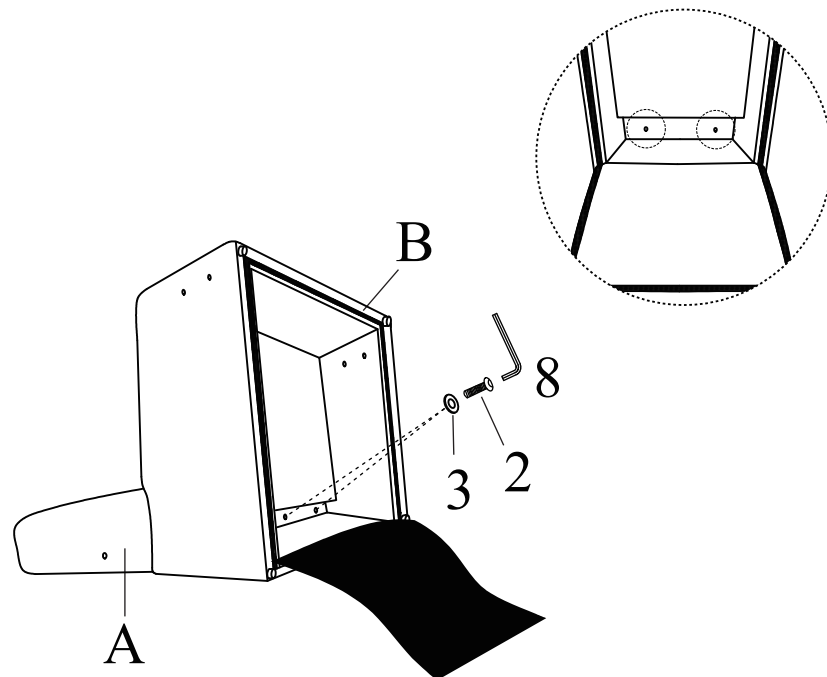
ASSEMBLY INSTRUCTIONS



STEP 1



STEP 2



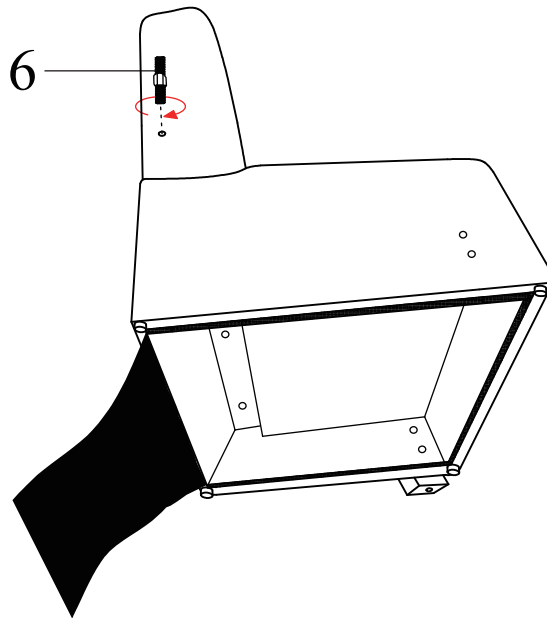
COASTERFURNITURE.COM

ITEM:903095

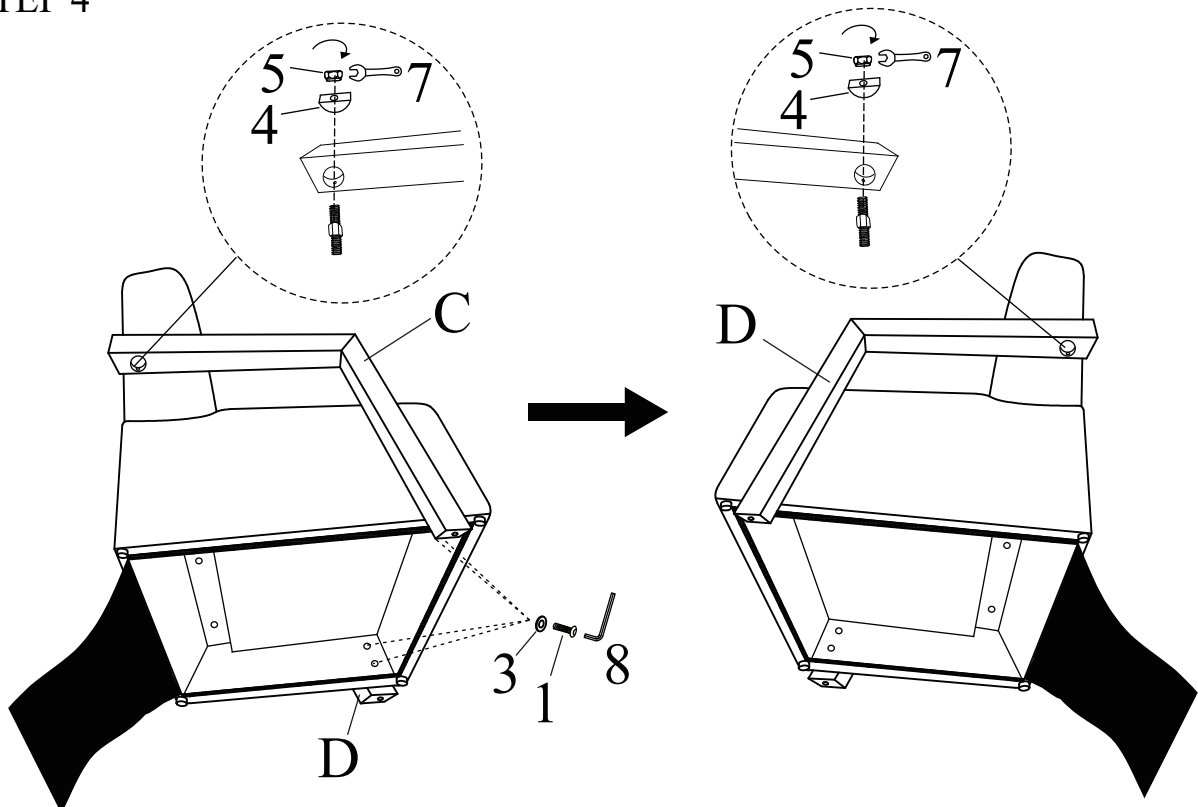
ASSEMBLY INSTRUCTIONS



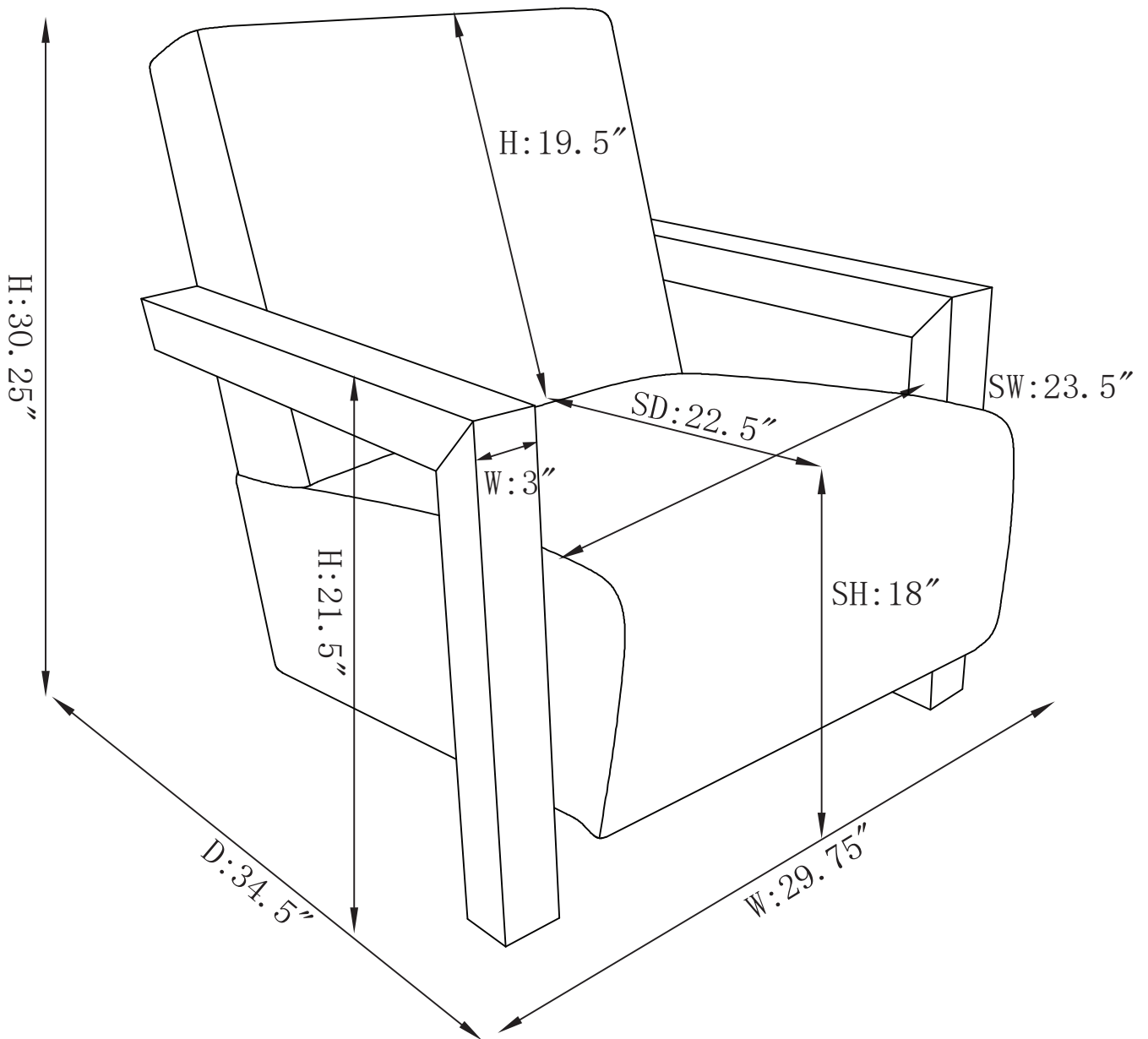
STEP 3



STEP 4



COASTERFURNITURE.COM



Note : Dimension tolerance $\pm 5\%$

