



ASSEMBLY INSTRUCTIONS COASTER FINE FURNITURE



903097
ACCENT CHAIR

ITEM:903097



ASSEMBLY INSTRUCTIONS

ASSEMBLY TIPS:

1. Remove hardware from box and sort by size.
2. Please check to see that all hardware and parts are present prior to start of assembly.
3. Please follow attached instructions in the same sequence as numbered to assure fast & easy assembly.



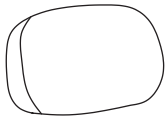
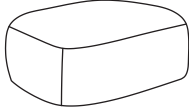



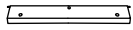
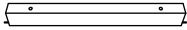
WARNING!

1. Don't attempt to repair or modify parts that are broken or defective. Please contact the store immediately.
2. This product is for home use only and not intended for commercial establishments.

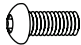





ASSEMBLY TIME **5 MINUTES**

PARTS IDENTIFICATION:

- A BACK  1PC
- B SEAT  1PC
- C LEFT ARM  1PC
- D RIGHT ARM  1PC
- E BACK SUPPORT  1PC
- F REAR CROSSBAR  1PC
- G FRONT CROSSBAR  1PC

Z HARDWARE IDENTIFICATION

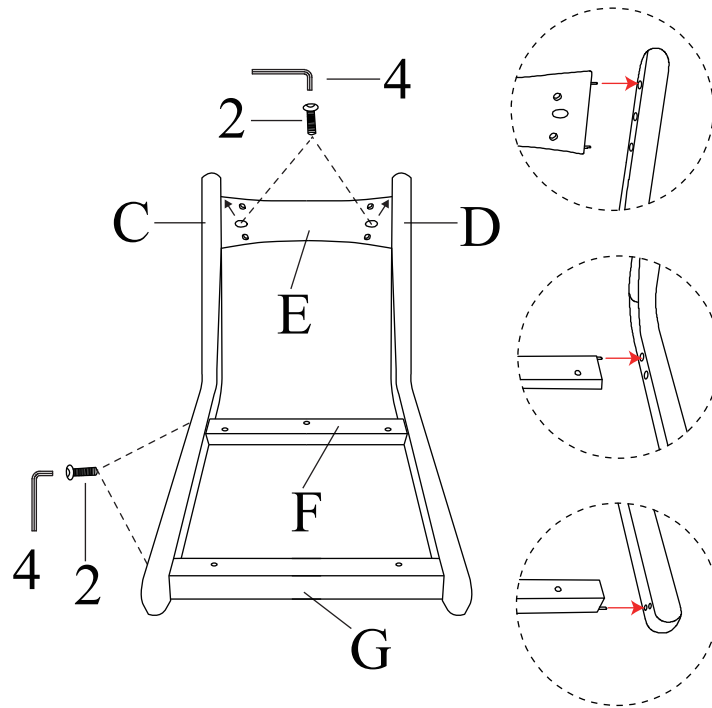
NO	DESCRIPTION	FIGURE	QTY
1	BOLT (M6 x 65mm)-BLK		4 PCS
2	BOLT (M8 x 50mm)-BLK		9 PCS
3	BOLT-BLK		4 PCS
4	ALLEN KEY (M6)-SR		1 PC

ITEM: 903097

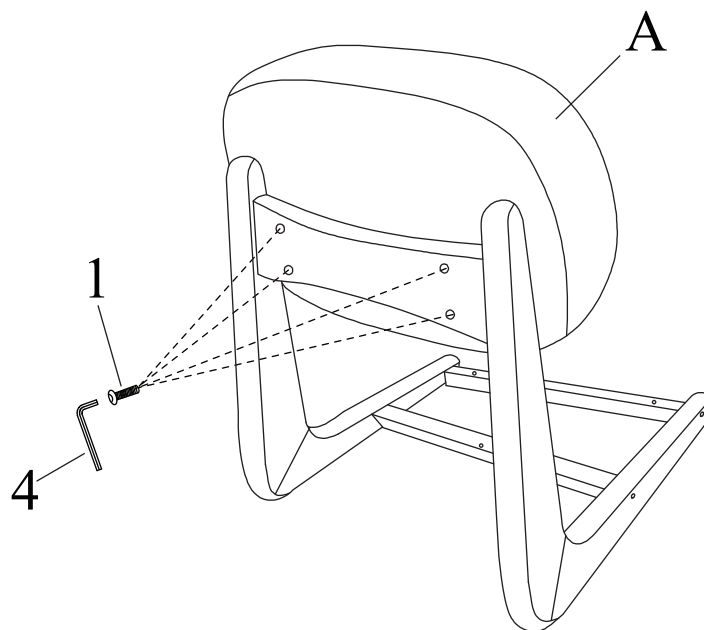
ASSEMBLY INSTRUCTIONS



STEP 1



STEP 2



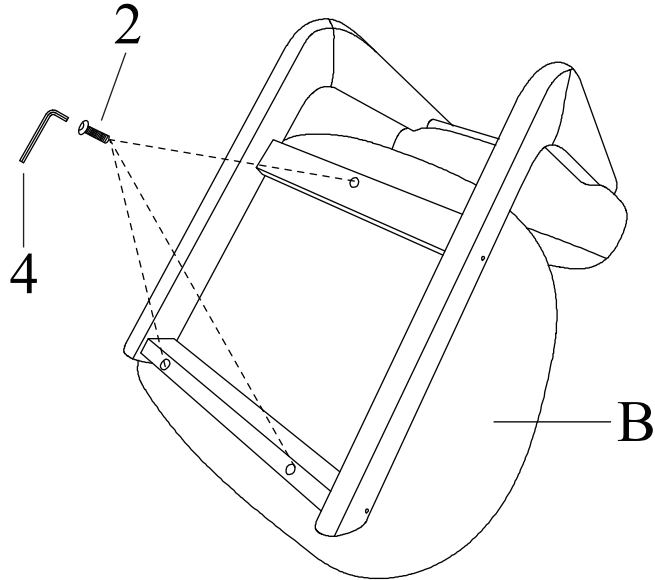
COASTERFURNITURE.COM

ITEM:903097

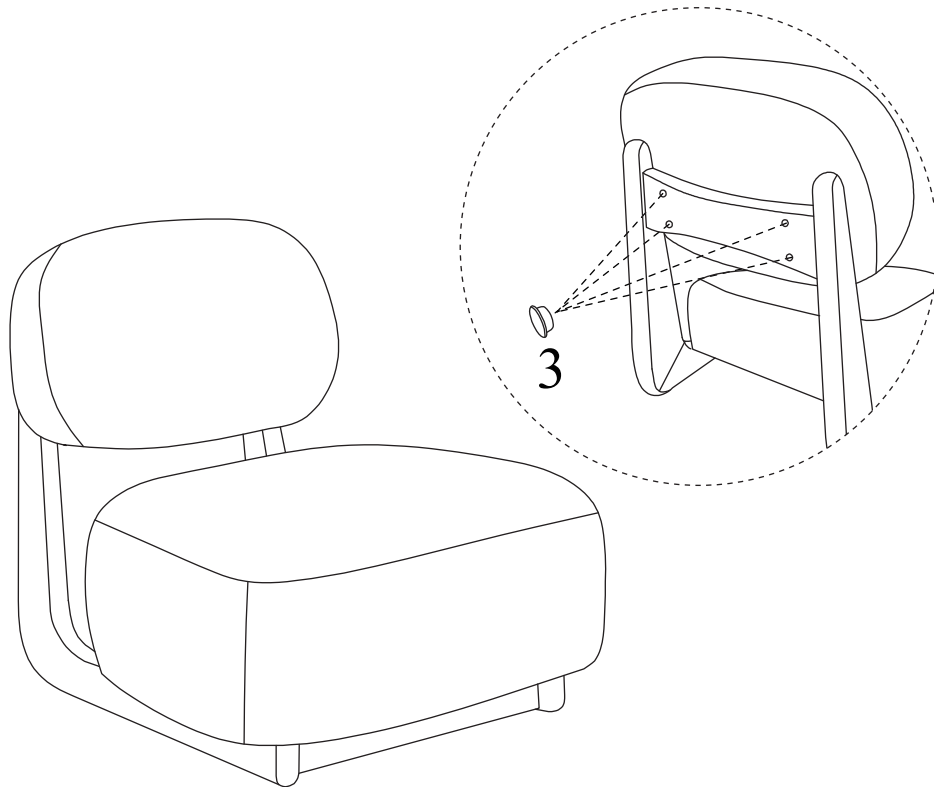
ASSEMBLY INSTRUCTIONS



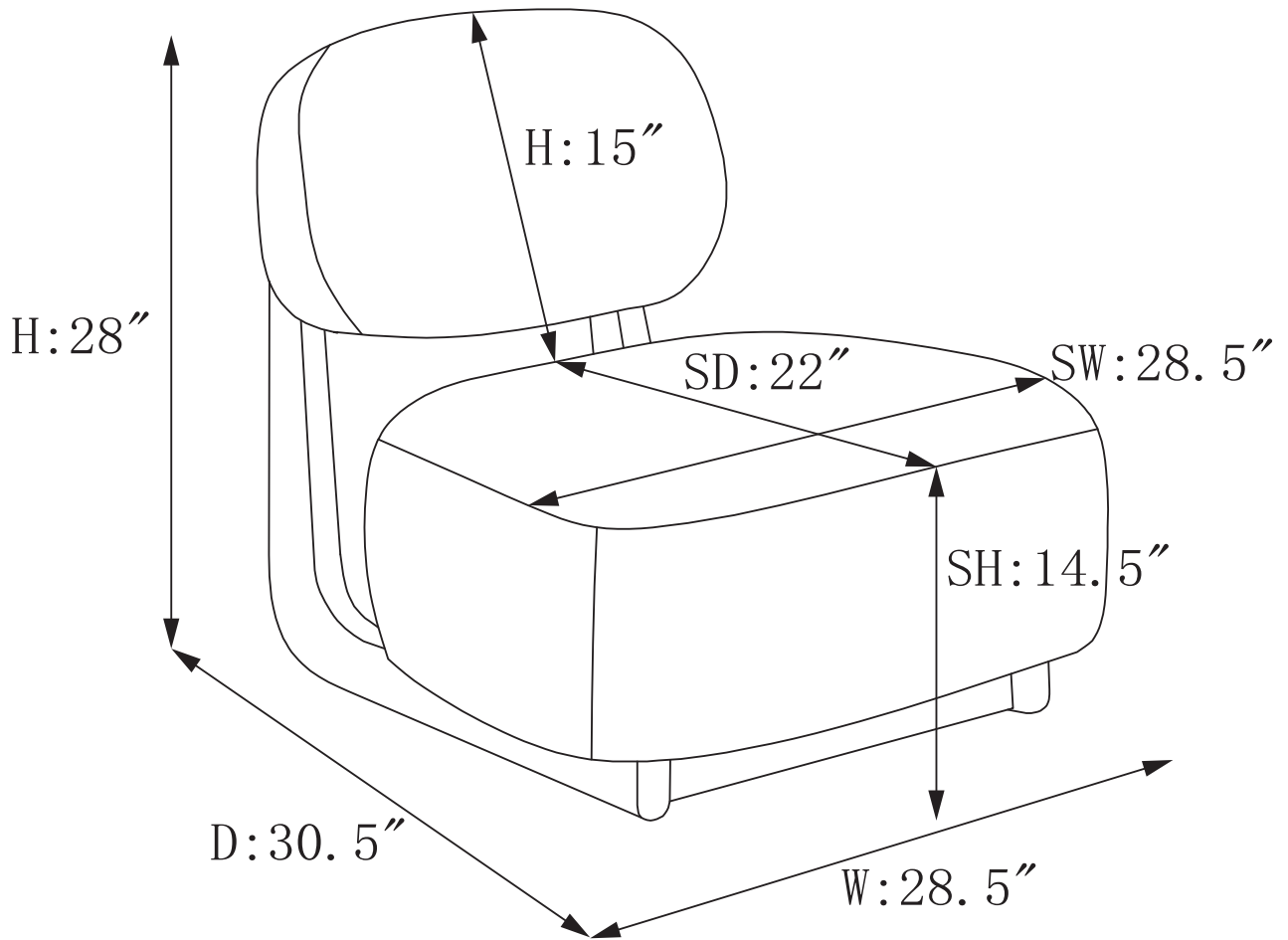
STEP 3



STEP 4



COASTERFURNITURE.COM



Note : Dimension tolerance $\pm 5\%$

