

ASSEMBLY INSTRUCTIONS
COASTER FINE FURNITURE



Fine Furniture for every stage of life

931145
VANITY

ITEM:931145



ASSEMBLY INSTRUCTIONS

ASSEMBLY TIPS:

1. Remove hardware from box and sort by size.
2. Please check to see that all hardware and parts are present prior to start of assembly.
3. Please follow attached instructions in the same sequence as numbered to assure fast & easy assembly.



WARNING!

1. Don't attempt to repair or modify parts that are broken or defective. Please contact the store immediately.
2. This product is for home use only and not intended for commercial establishments.

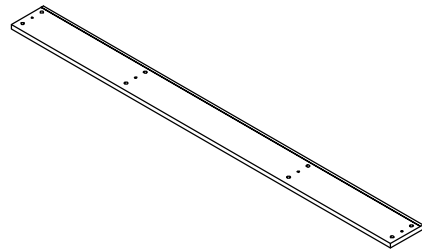


ASSEMBLY TIME 99 MINUTES

PARTS IDENTIFICATION

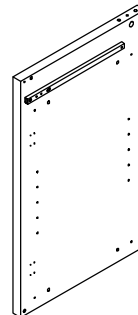
B2: VANITY BASE & GLASS

A TOP PANEL



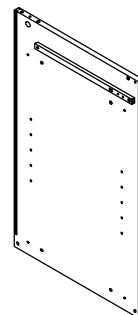
1PC

B LEFT CABINET LEFT PANEL



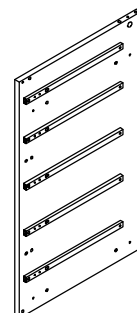
1PC

C LEFT CABINET RIGHT PANEL



1PC

D RIGHT CABINET LEFT PANEL



1PC

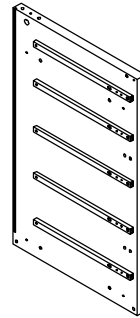
ITEM:931145

ASSEMBLY INSTRUCTIONS

PARTS IDENTIFICATION



E RIGHT CABINET RIGHT PANEL



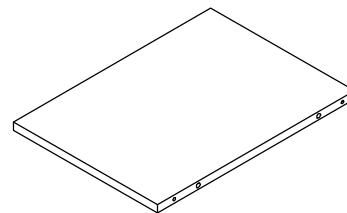
1PC

F BACK PANEL



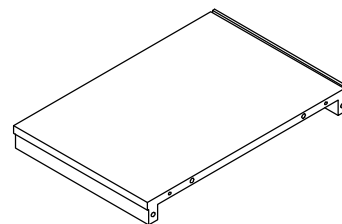
2PCS

G SUPPORT PANEL



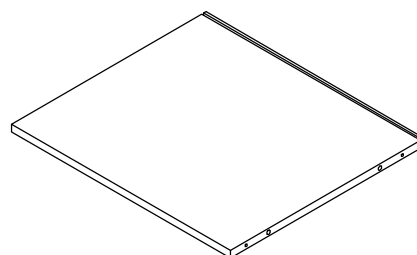
2PCS

H BOTTOM PANEL



2PCS

I MIDDLE BOTTOM PANEL



1PC

ITEM:931145

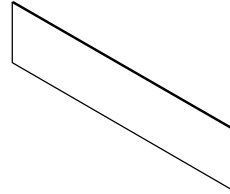
ASSEMBLY INSTRUCTIONS

PARTS IDENTIFICATION



J

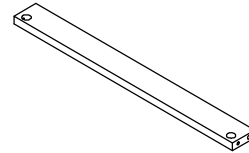
MIDDLE BACK PANEL



1PC

K

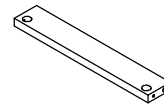
LONG TOP SUPPORT PANEL



1PC

L

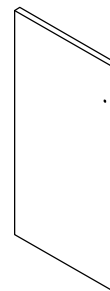
SHORT TOP SUPPORT PANEL



2PCS

M

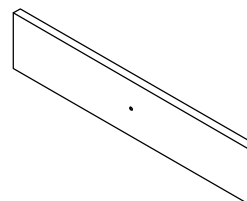
DOOR PANEL



1PC

N

LARGE DRAWER FRONT PANEL



1PC

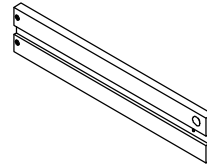
ITEM:931145

ASSEMBLY INSTRUCTIONS

PARTS IDENTIFICATION

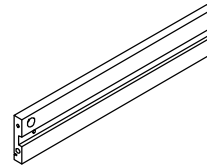


O LARGE AND SMALL DRAWER
LEFT PANEL



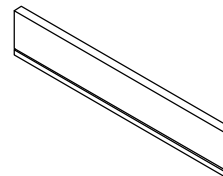
3PCS

P LARGE AND SMALL DRAWER
RIGHT PANEL



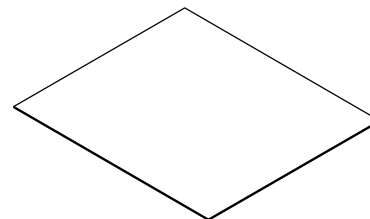
3PCS

Q LARGE DRAWER BACK PANEL



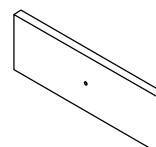
1PC

R LARGE DRAWER BOTTOM PANEL



1PC

S SMALL DRAWER FRONT PANEL



2PCS

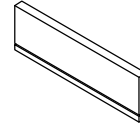
ITEM:931145

ASSEMBLY INSTRUCTIONS

PARTS IDENTIFICATION

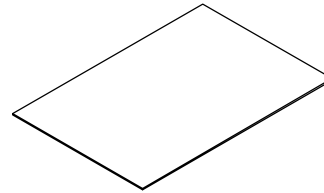


T SMALL DRAWER BACK PANEL



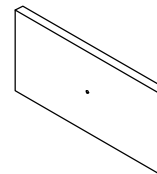
2PCS

U MEDIUM AND SMALL DRAWER
BOTTOM PANEL



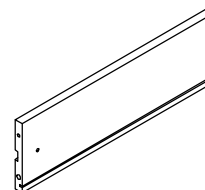
6PCS

V MEDIUM DRAWER FRONT PANEL



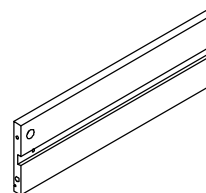
4PCS

A1 MEDIUM DRAWER LEFT PANEL



4PCS

A2 MEDIUM DRAWER RIGHT PANEL



4PCS

ITEM:931145

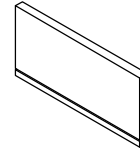
ASSEMBLY INSTRUCTIONS

PARTS IDENTIFICATION



A3

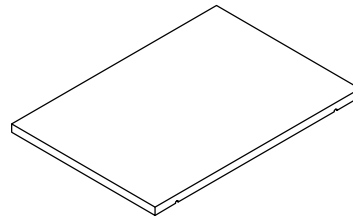
MEDIUM DRAWER BACK PANEL



4PCS

A4

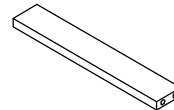
SHELF PANEL



1PC

A5

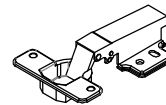
RIGHT CABINET SUPPORT PANEL



2PCS

A6

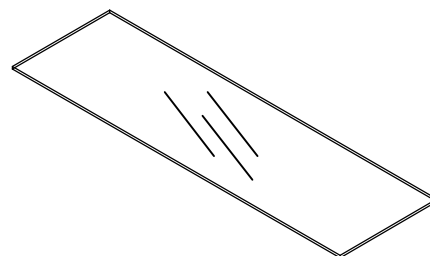
HINGE



2PCS

A7

GLASS



1PC

ITEM:931145 ASSEMBLY INSTRUCTIONS



PARTS IDENTIFICATION

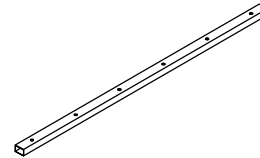
A8 HANDLE



8PCS

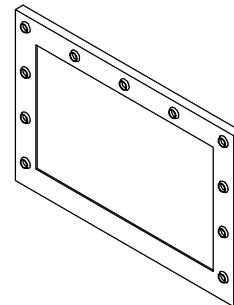
B1: VANITY TOP

A9 CROSSBAR



2PCS

A10 MAKE-UP MIRROR

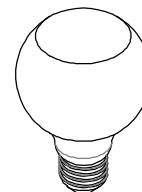


1PC

B3: 11PCS LIGHT BULB

A11 LIGHT BULB

TYPE G / E26 CLEAR LIGHT BULB / 4 WATT.



11PCS


















ITEM:931145

ASSEMBLY INSTRUCTIONS



Z

HARDWARE IDENTIFICATION

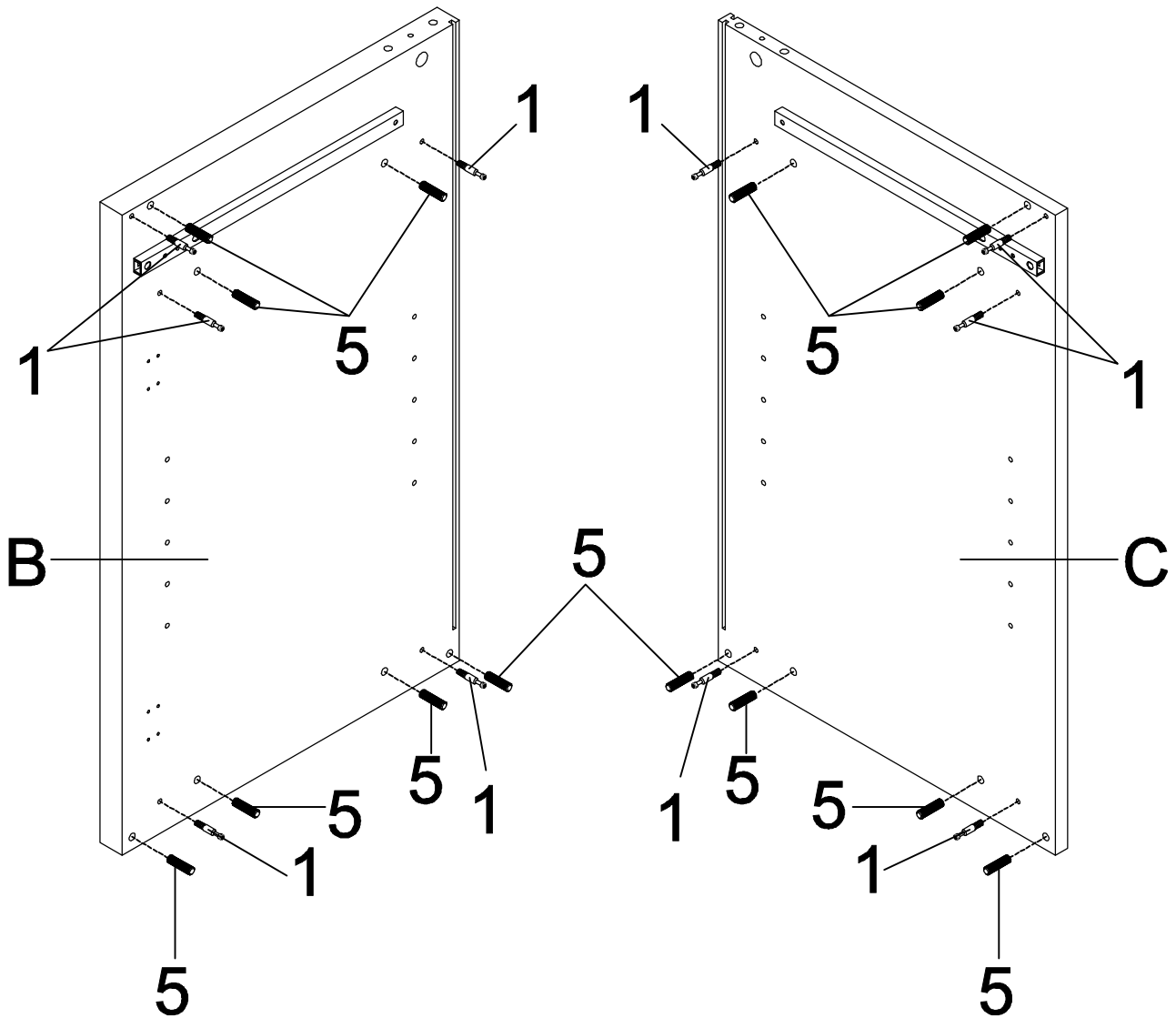
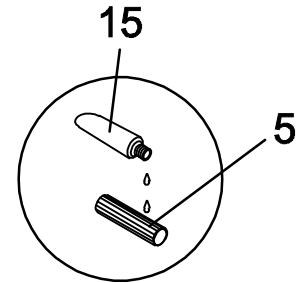
1	LARGE CAM BOLT (35MM)		26PCS	11	SHELF BOLT		4PCS
2	SMALL CAM BOLT		18PCS	12	CAP (13 x 26mm)		4PCS
3	LARGE CAM-LOCK (ϕ 15MM)		30PCS	13	SUCTION CUP		8PCS
4	SMALL CAM-LOCK (ϕ 12mm)		14PCS	14	LONG BOLT (1/4" x 25mm SR)		12PCS
5	WOOD DOWEL (8 x 30mm)		50PCS	15	GLUE		1PC
6	WOOD DOWEL (6 x 25mm)		14PCS	16	ALLEN WRENCH (4mm)		1PC
7	LONG SCREW (8 x 25mm)		28PCS	17	FOOT PIN		8PCS
8	SHORT SCREW (3.5 x 12mm)		12PCS				
9	SMALL BOLT (5/32" x10mm)		14PCS				
10	LONG BOLT (5/32" x22mm)		8PCS				

Hardware pack is located in 931145B2

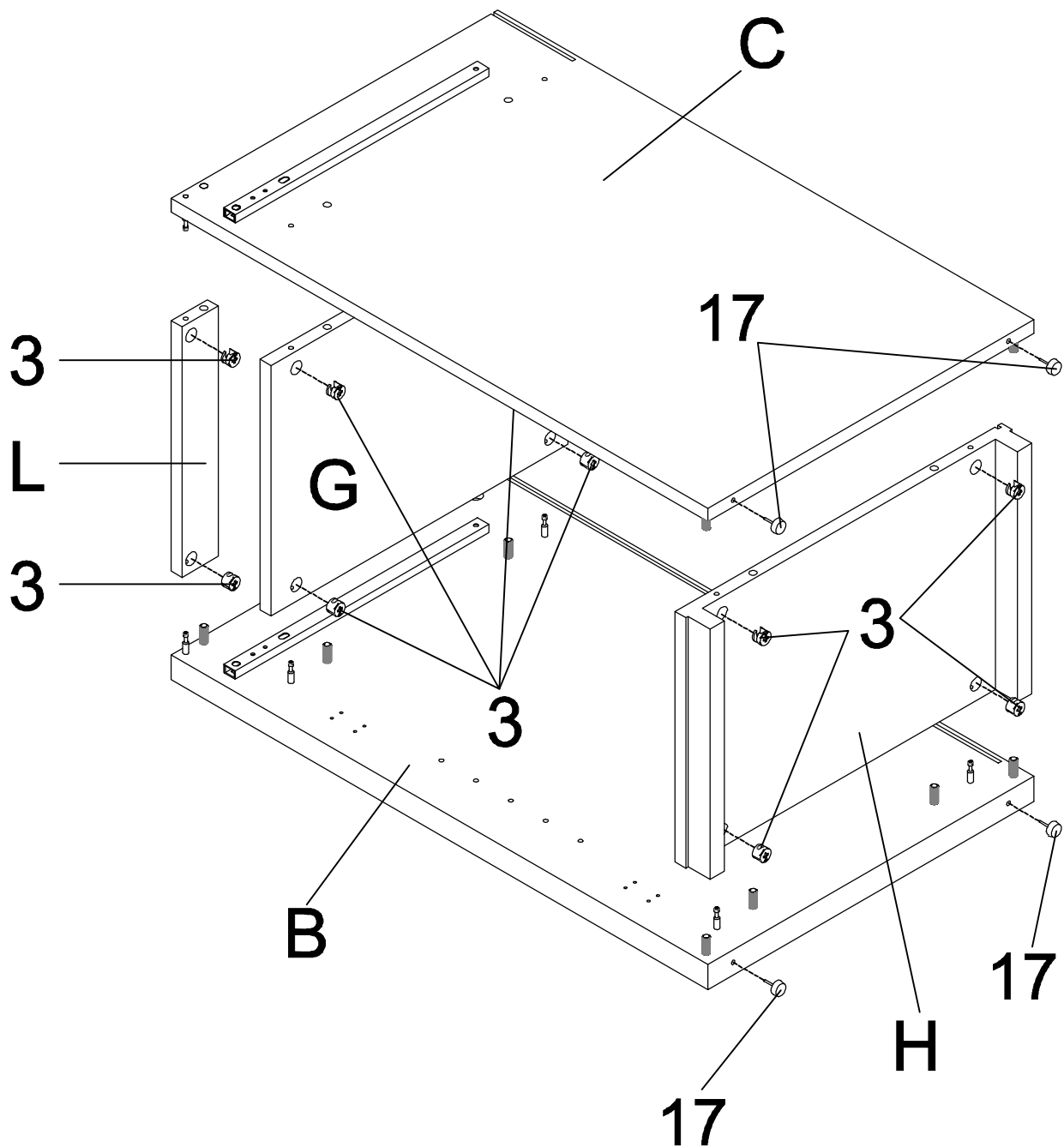
ITEM:931145 ASSEMBLY INSTRUCTIONS



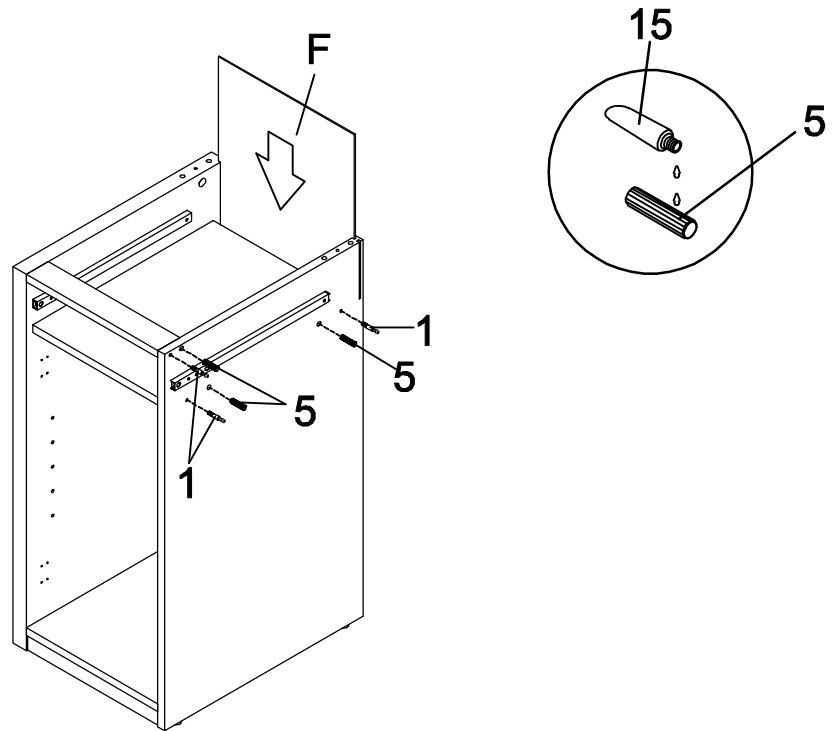
STEP 1 Do not tighten until each step is completed or instructed.



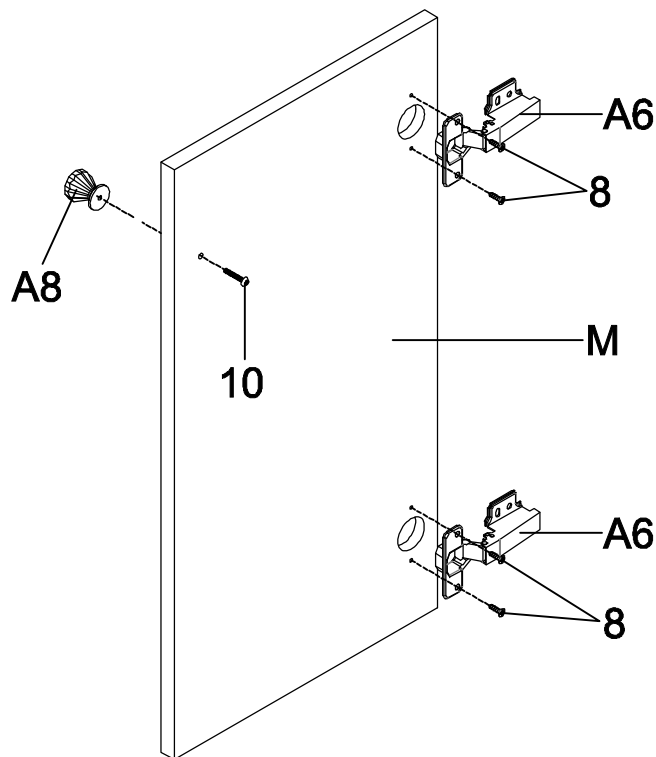
ITEM:931145
ASSEMBLY INSTRUCTIONS
STEP 2



ITEM:931145
ASSEMBLY INSTRUCTIONS
STEP 3



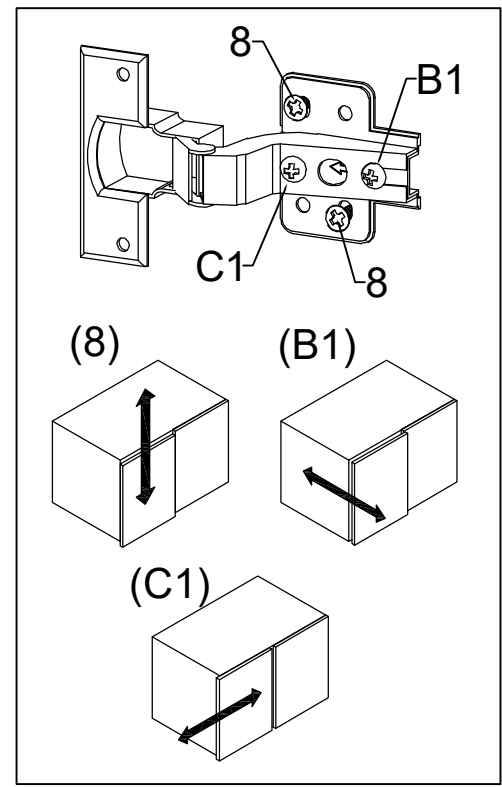
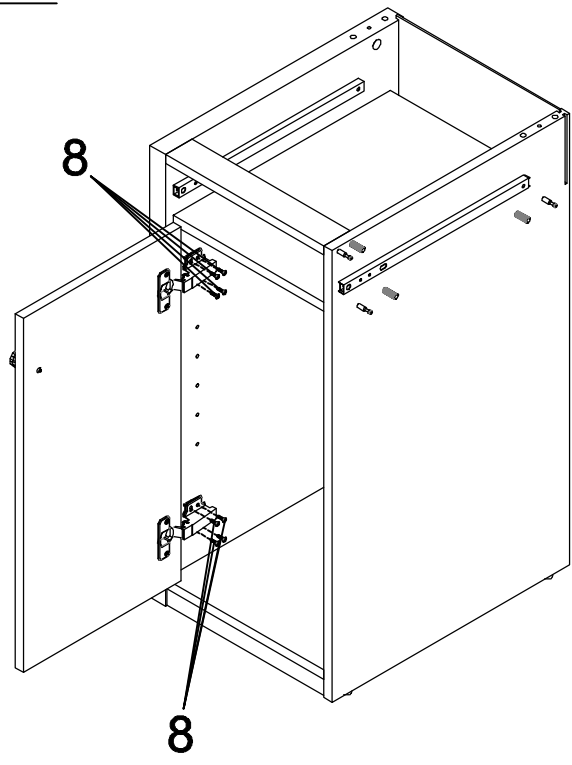
STEP 4



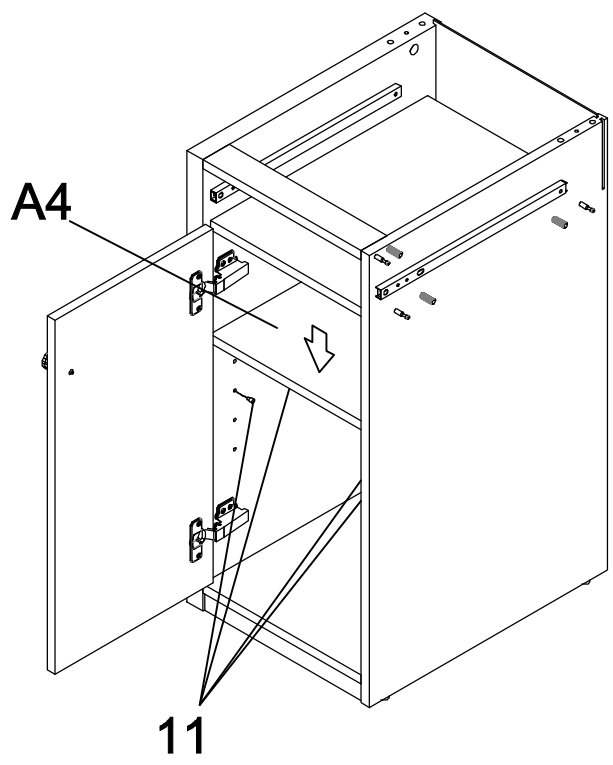
ITEM:931145 ASSEMBLY INSTRUCTIONS



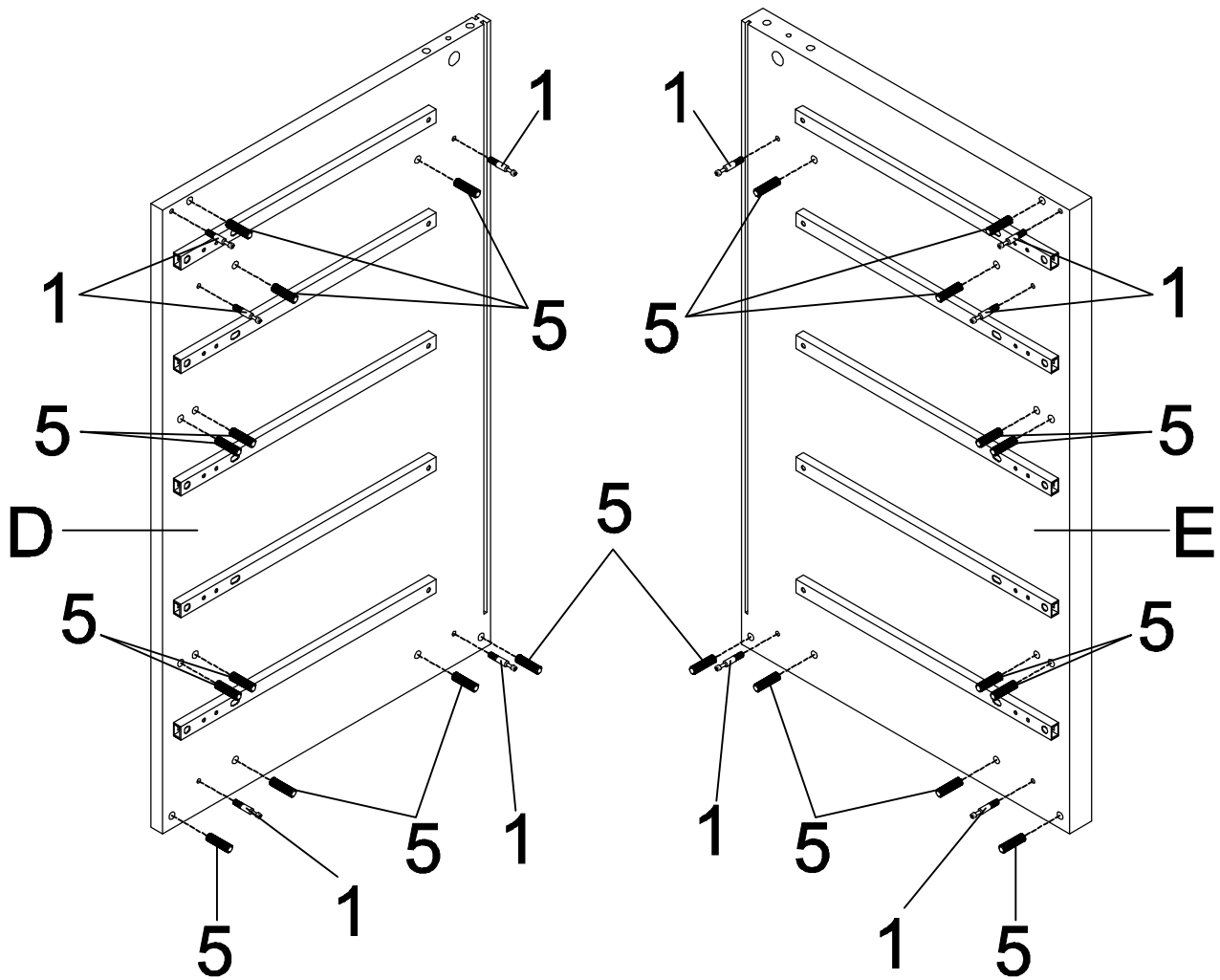
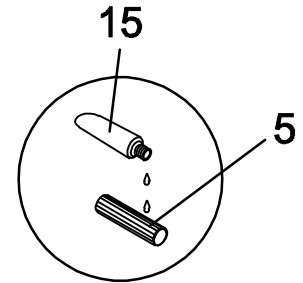
STEP 5



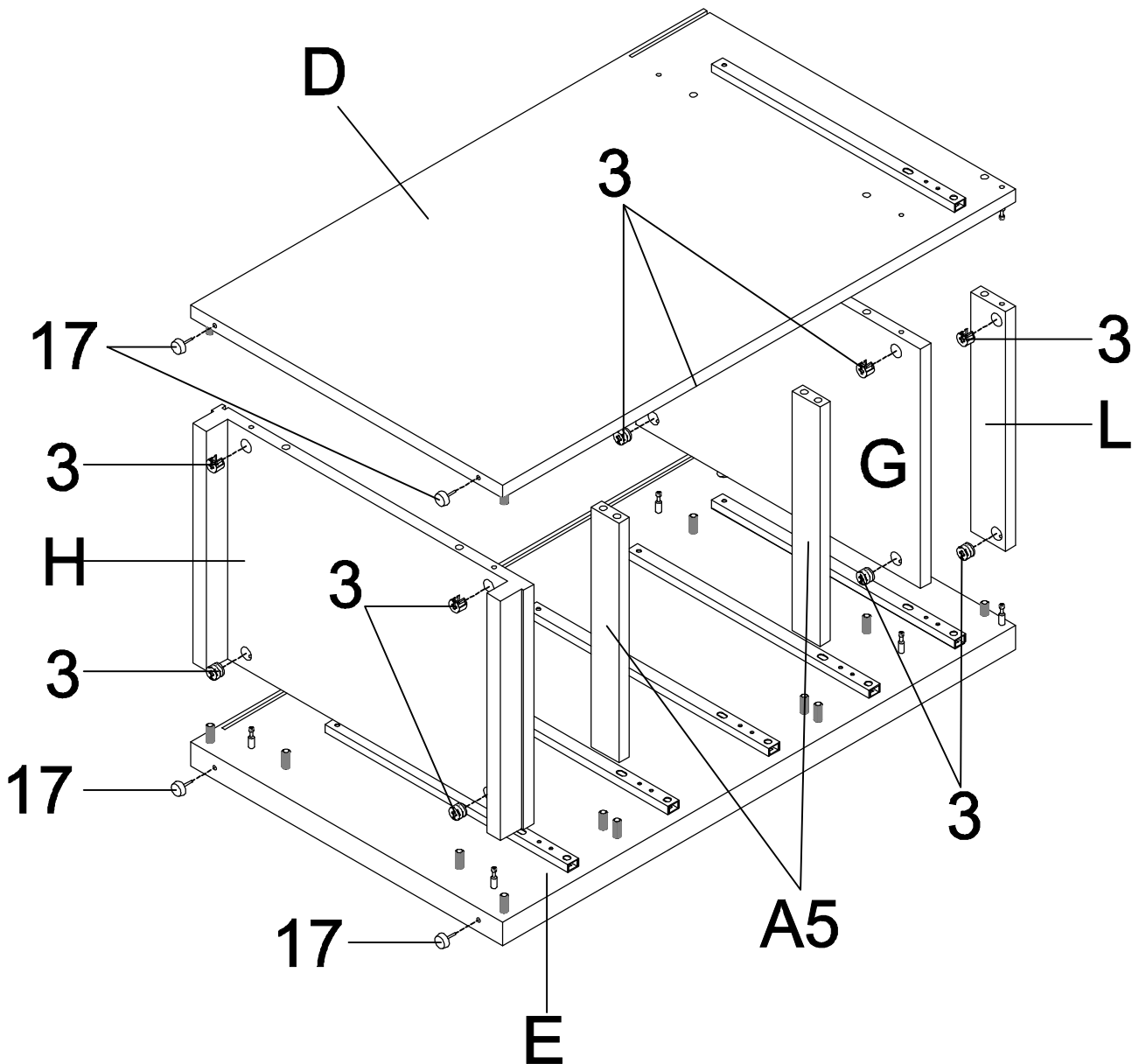
STEP 6



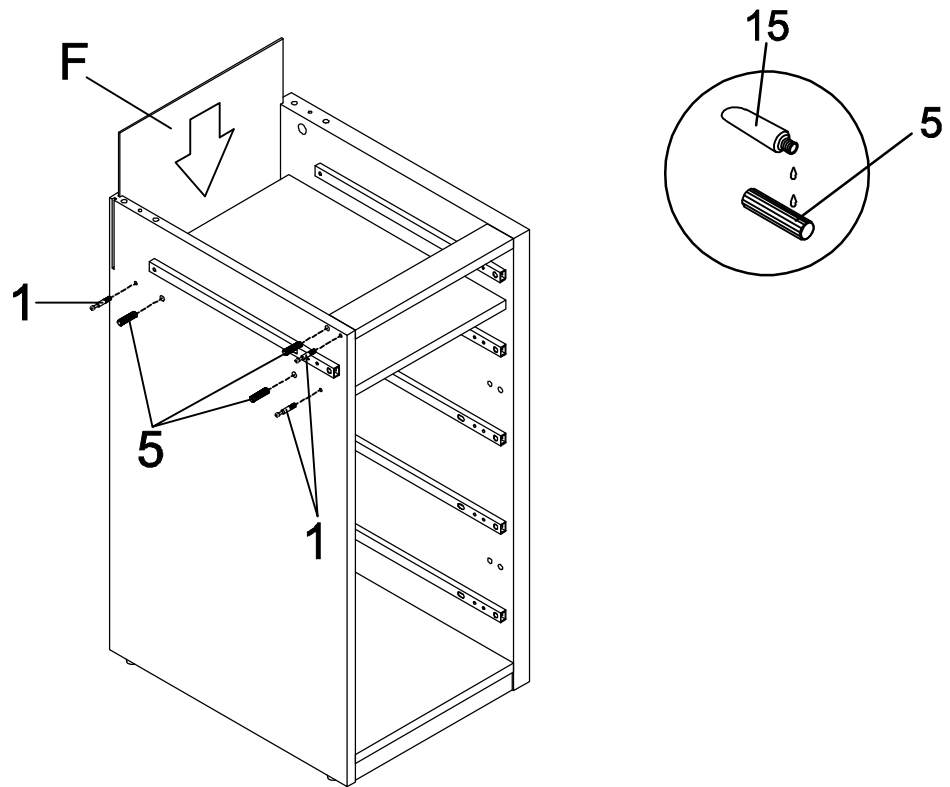
ITEM:931145
ASSEMBLY INSTRUCTIONS
STEP 7



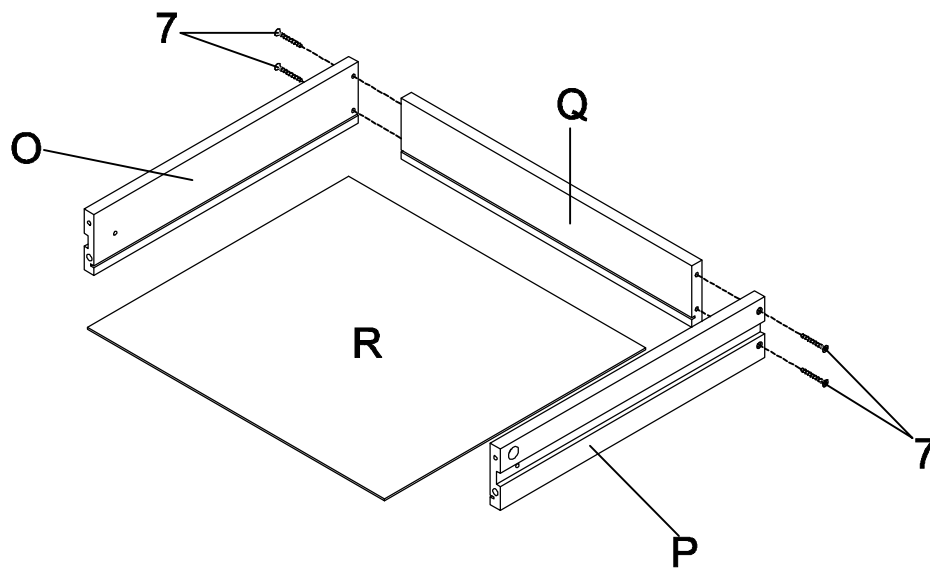
ITEM:931145
ASSEMBLY INSTRUCTIONS
STEP 8



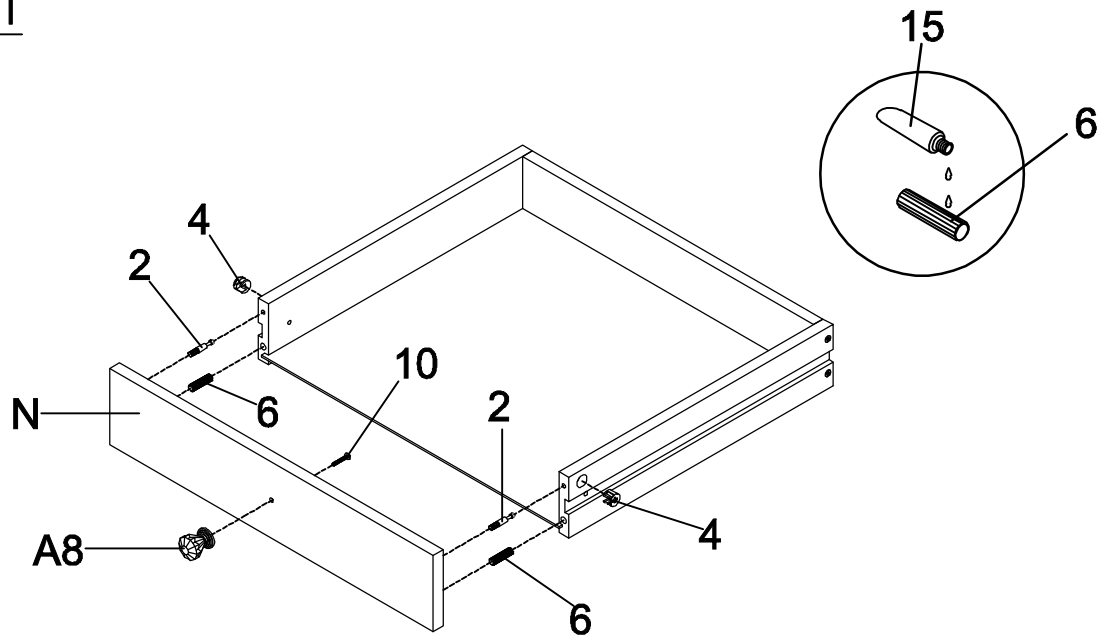
ITEM:931145
ASSEMBLY INSTRUCTIONS
STEP 9



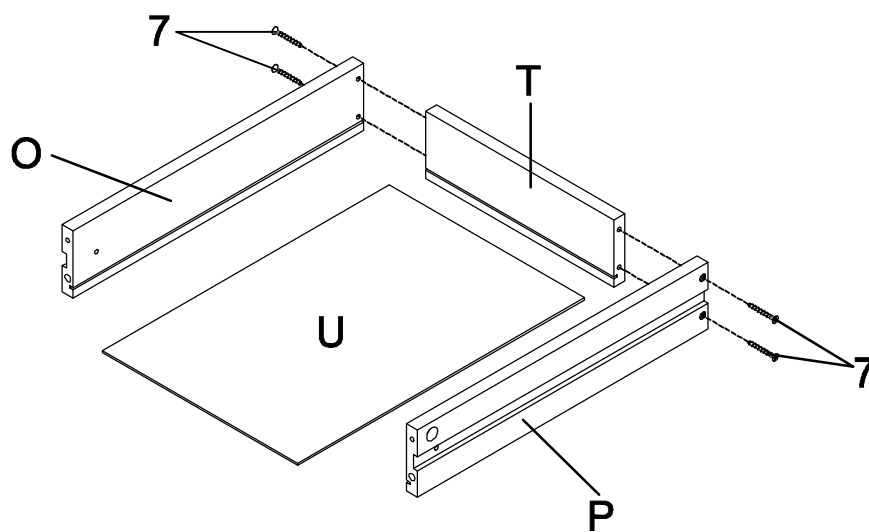
STEP 10



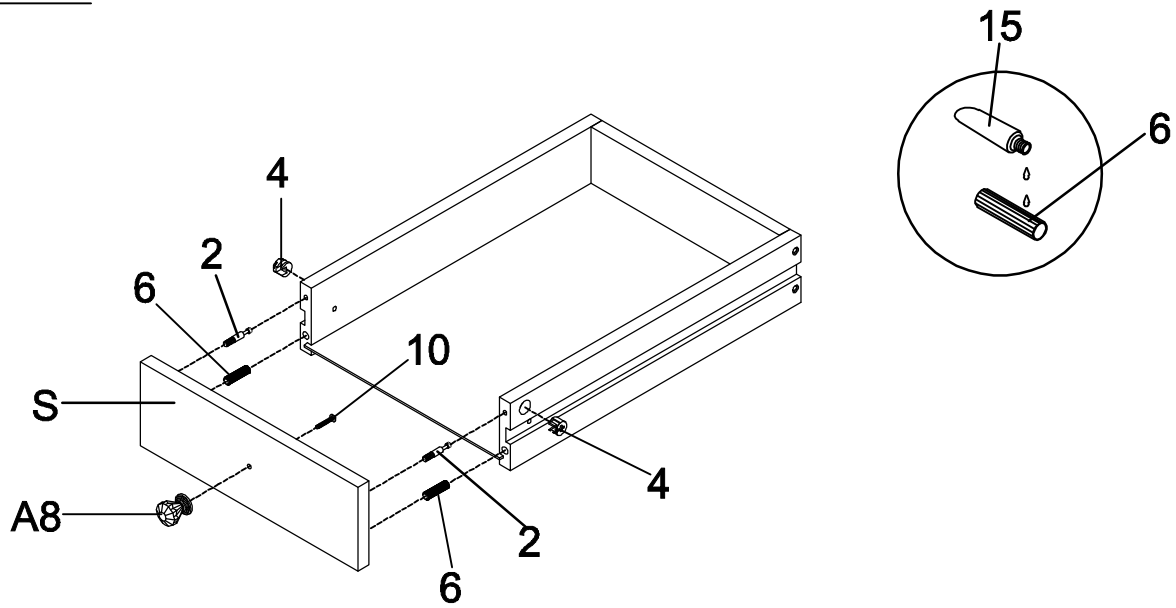
ITEM:931145
ASSEMBLY INSTRUCTIONS
STEP 11



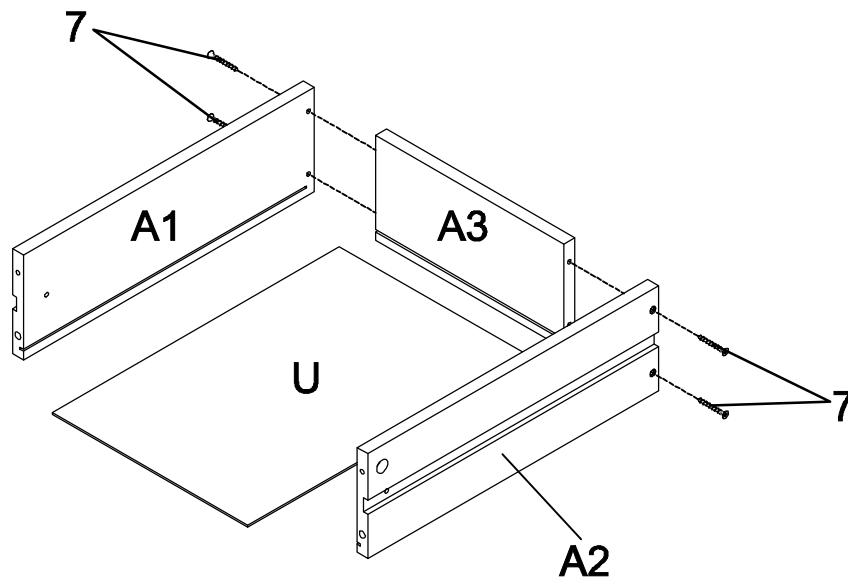
STEP 12



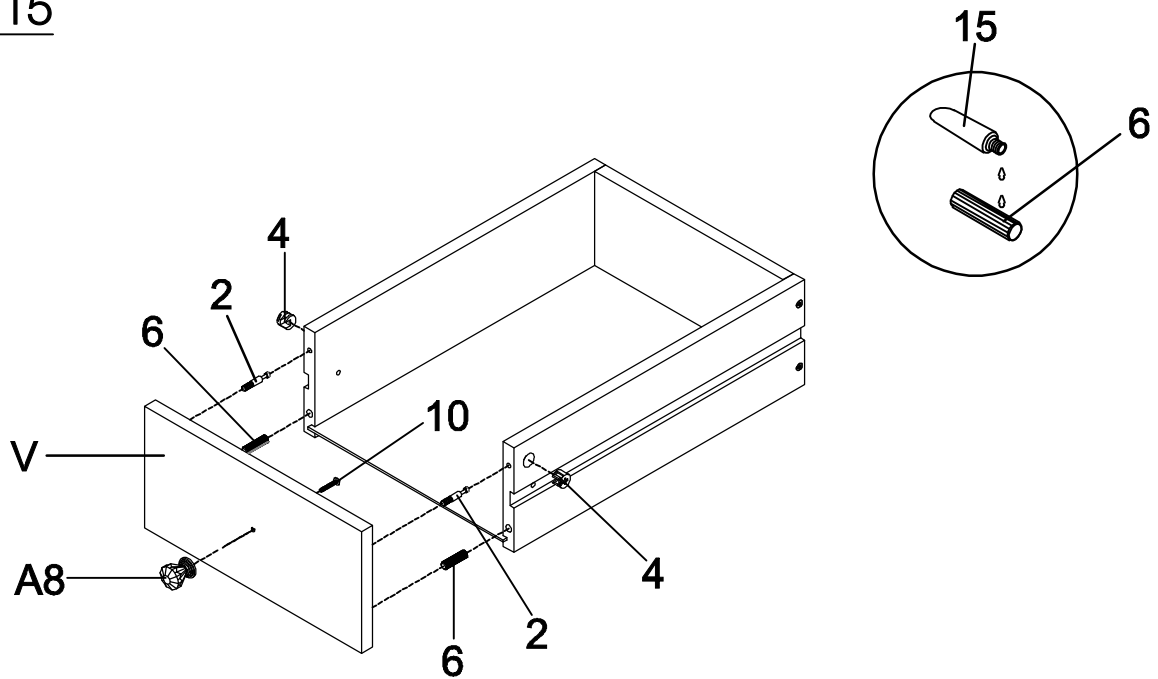
ITEM:931145
ASSEMBLY INSTRUCTIONS
STEP 13



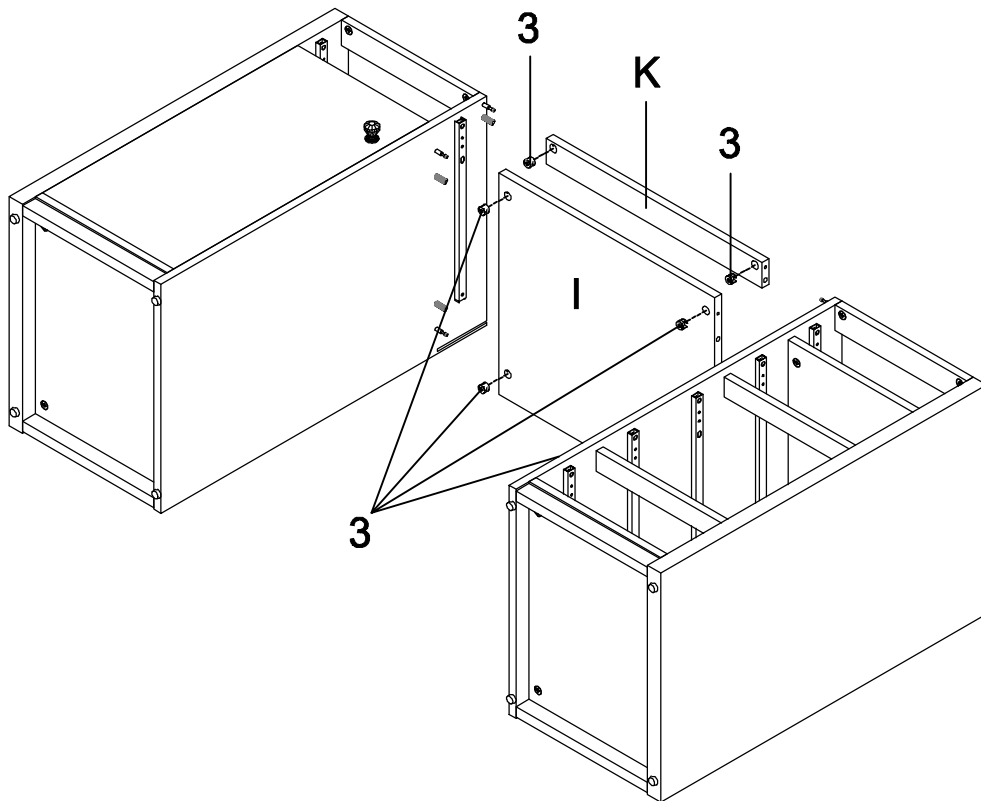
STEP 14



ITEM:931145
ASSEMBLY INSTRUCTIONS
STEP 15



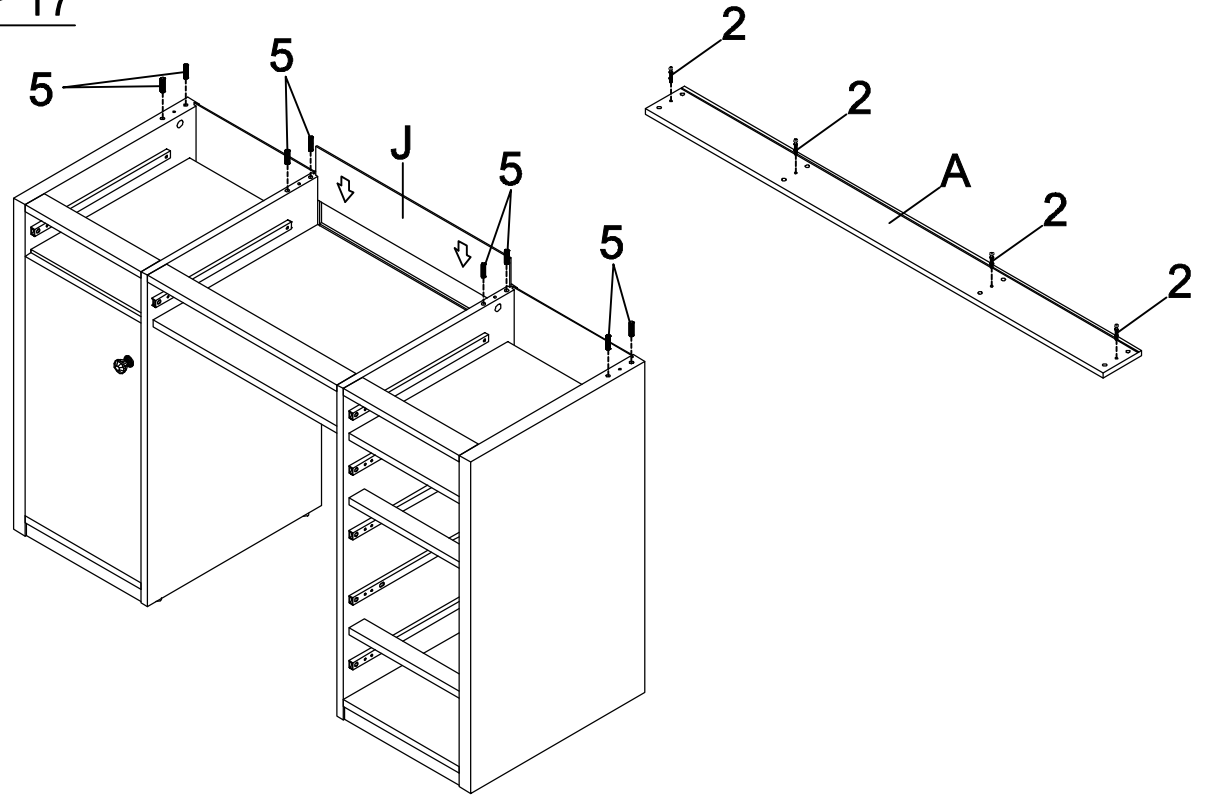
STEP 16



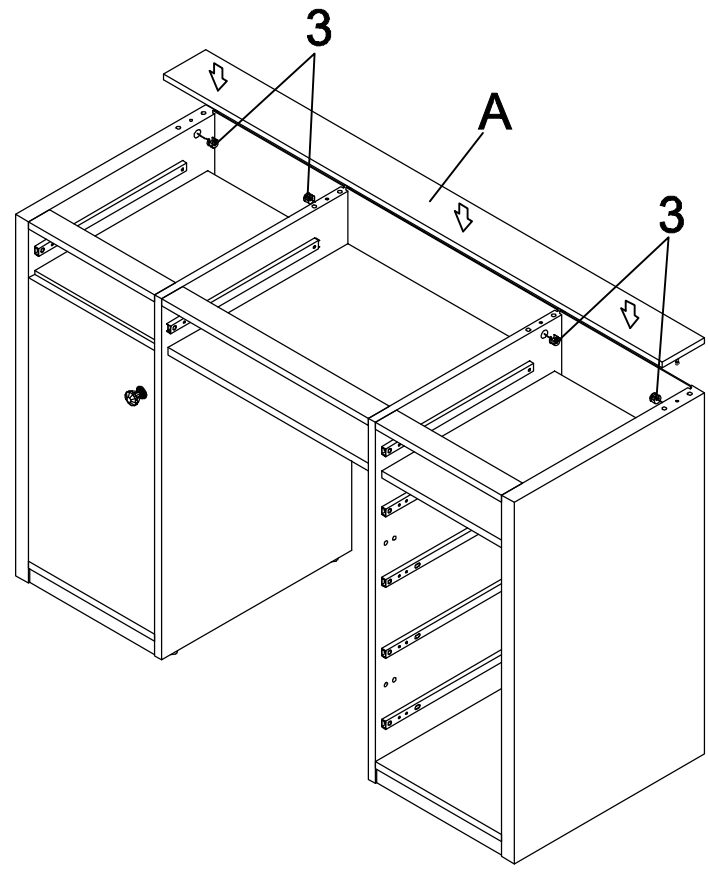
ITEM:931145
ASSEMBLY INSTRUCTIONS



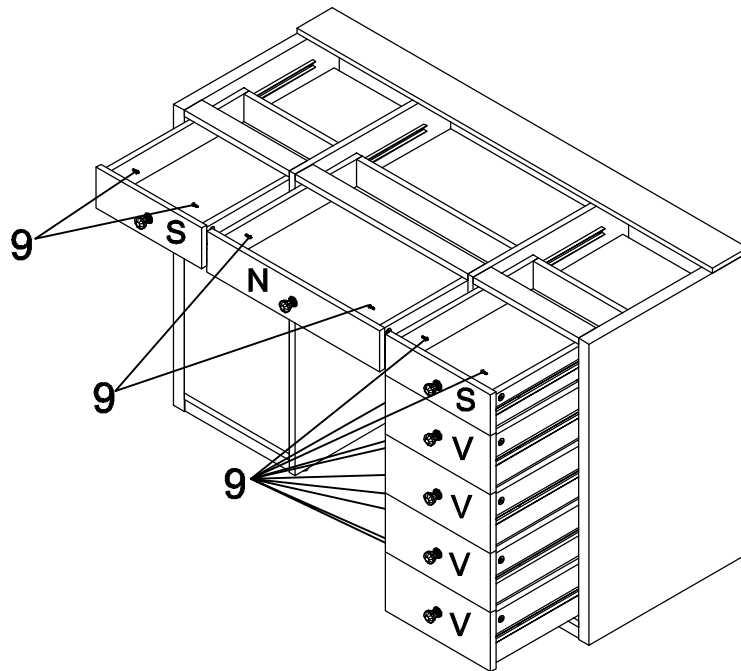
STEP 17



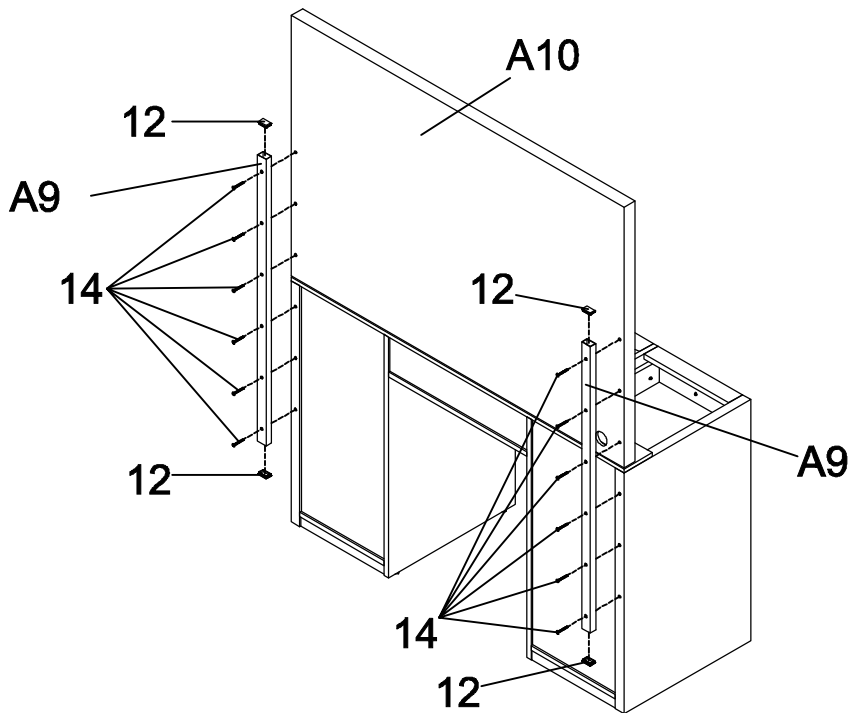
STEP 18



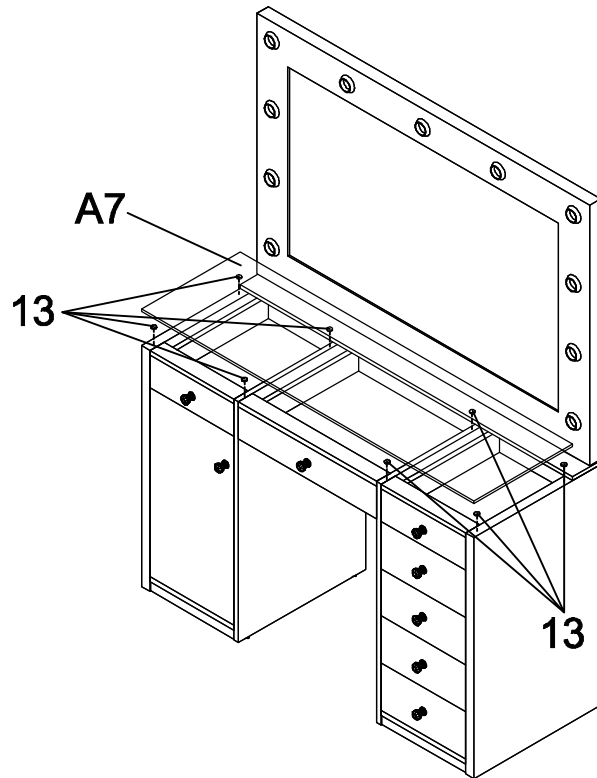
ITEM:931145
ASSEMBLY INSTRUCTIONS
STEP 19



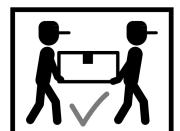
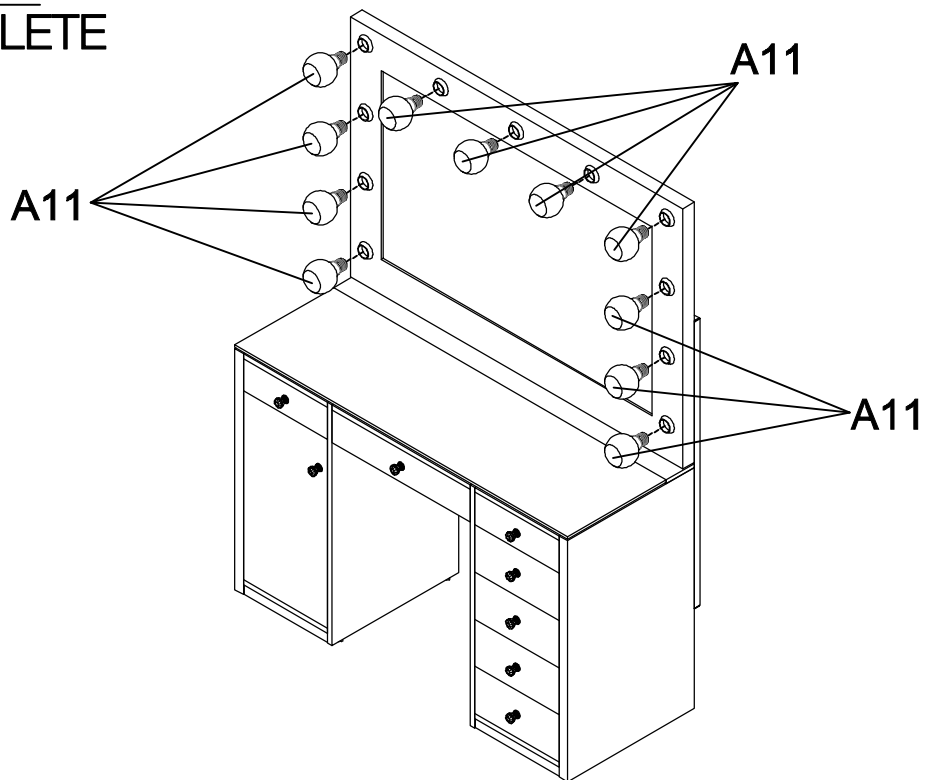
STEP 20



ITEM:931145
ASSEMBLY INSTRUCTIONS
STEP 21



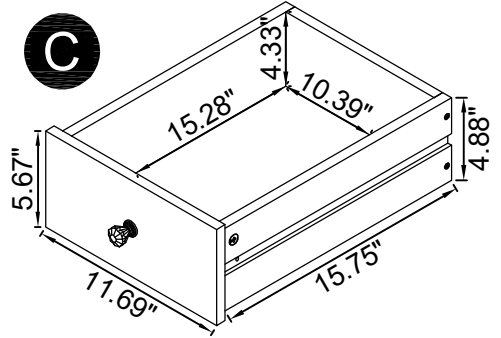
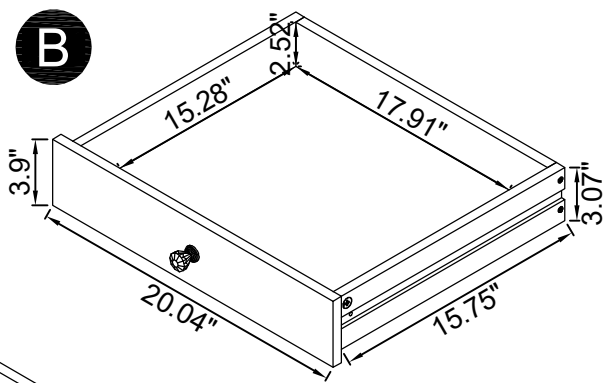
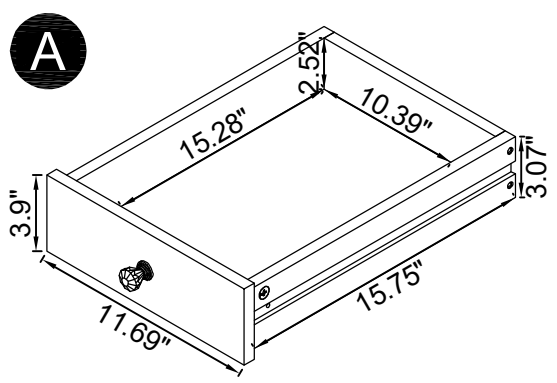
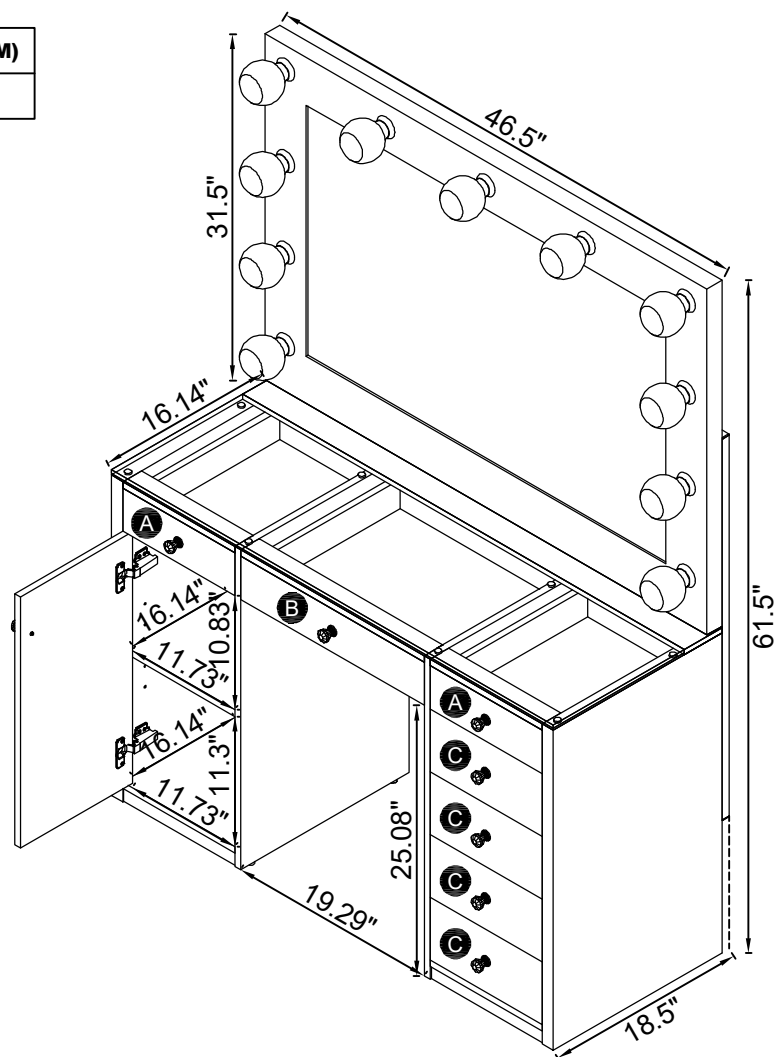
STEP 22
COMPLETE



ITEM:931145 ASSEMBLY INSTRUCTIONS



Product Size : 1181 X 470 X 1562 H (MM)
Product Size : 46.5" X 18.5" X 61.5"



Note : Dimension tolerance $\pm 5\%$

ITEM: **931145**



ANTI-TIPPING INSTALLMENT INSTRUCTIONS

FURNITURE TIPPING RESTRAINT

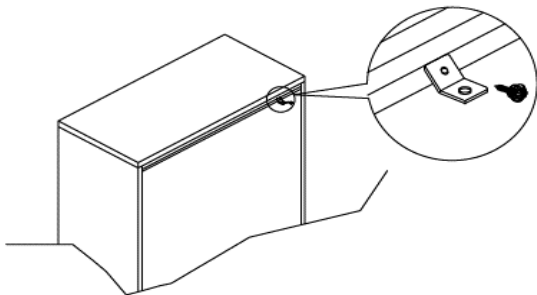
WARNING

Injury may result from tipping furniture.
This restraint may protect against tipping furniture.
Do not allow children to climb on furniture.
This restraint is not a substitute for proper adult supervision.
Failure to detach this restraint before moving the furniture may result in injury and damage.

This tip restraint must be attached to a wall stud using long screw enclosed.

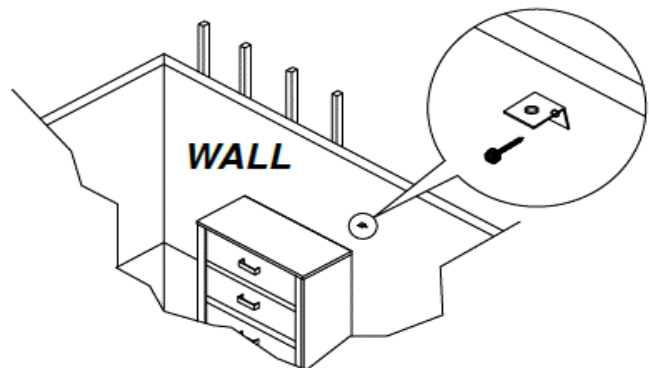
STEP 1

Attach a bracket securely to the back top rail of the furniture using short screw provided, through the smaller hole.



STEP 2

Locate the other bracket on the wall over a plastic wall stud and two inches below the mounting bracket secured to the back of the furniture. Attach the wall stud using the long screw provided, through the smaller hole.



STEP 3

Place the furniture into position so both mounting brackets are vertically in line. Lace the end of the restraint strap through the larger hole in each mounting bracket. Bring both ends together and slide the flat end through the locking end and draw it through until all slack is removed. Confirm that the strap is securely laced and locked.

