

**ASSEMBLY INSTRUCTIONS**  
**COASTER FINE FURNITURE**



*Fine Furniture for every stage of life*

**106472**  
***Dining Side Chair***

ITEM: **106472**



## ASSEMBLY INSTRUCTIONS

### ASSEMBLY TIPS:

1. Remove hardware from box and sort by size.
2. Please check to see that all hardware and parts are present prior to start of assembly.
3. Please follow attached instructions in the same sequence as numbered to assure fast & easy assembly.



### WARNING!

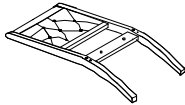
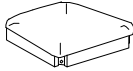
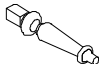
1. Don't attempt to repair or modify parts that are broken or defective. Please contact the store immediately.
2. This product is for home use only and not intended for commercial establishments.









ASSEMBLY TIME

15 MINUTES

## PARTS IDENTIFICATION

A	BACK FRAME		1PC
B	SEAT CUSHION WITH FRAME		1PC
C	FRONT LEG		2PCS

## HARDWARE IDENTIFICATION

1	ALLEN WRENCH (4MM - RBW)		1PC	4	SHORT BOLT (Ø5/16" x 1-1/2" - RBW)		2PCS
2	LONG BOLT (Ø5/16" x 3-1/7" - RBW)		4PCS	5	LOCK WASHER (Ø5/16" - RBW)		10PCS
3	MEDIUM BOLT (Ø5/16" x 2-3/8" - RBW)		4PCS	6	FLAT WASHER (Ø5/16" - RBW)		10PCS

### NOTE:

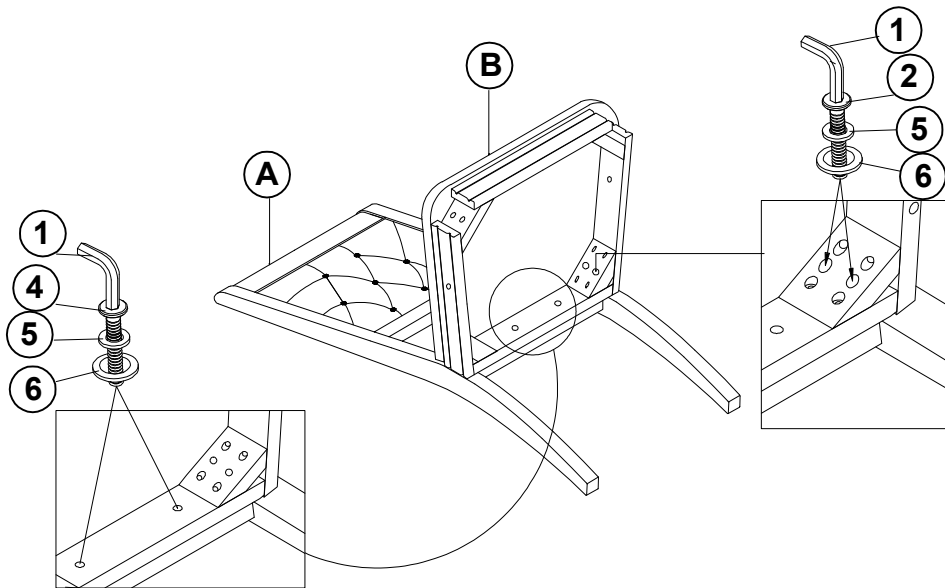
Quantities shown are for one chair.

ITEM: **106472**

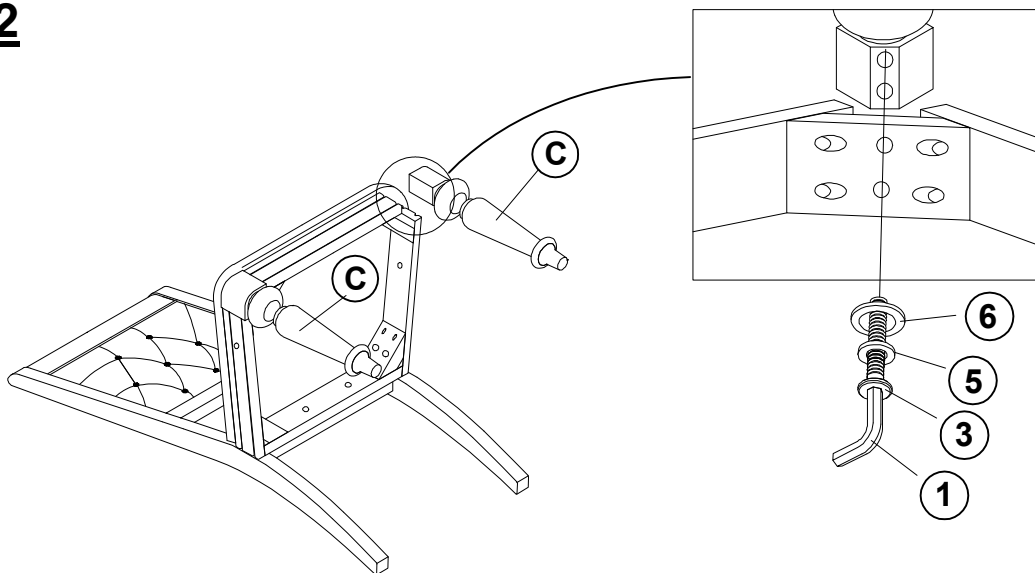
# ASSEMBLY INSTRUCTIONS



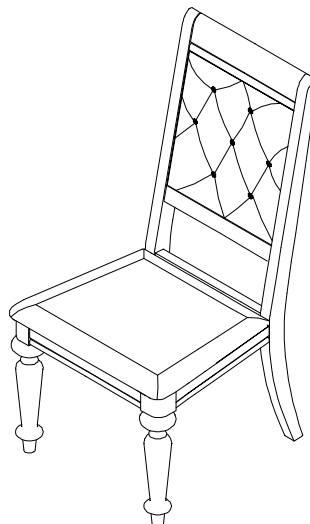
## STEP 1



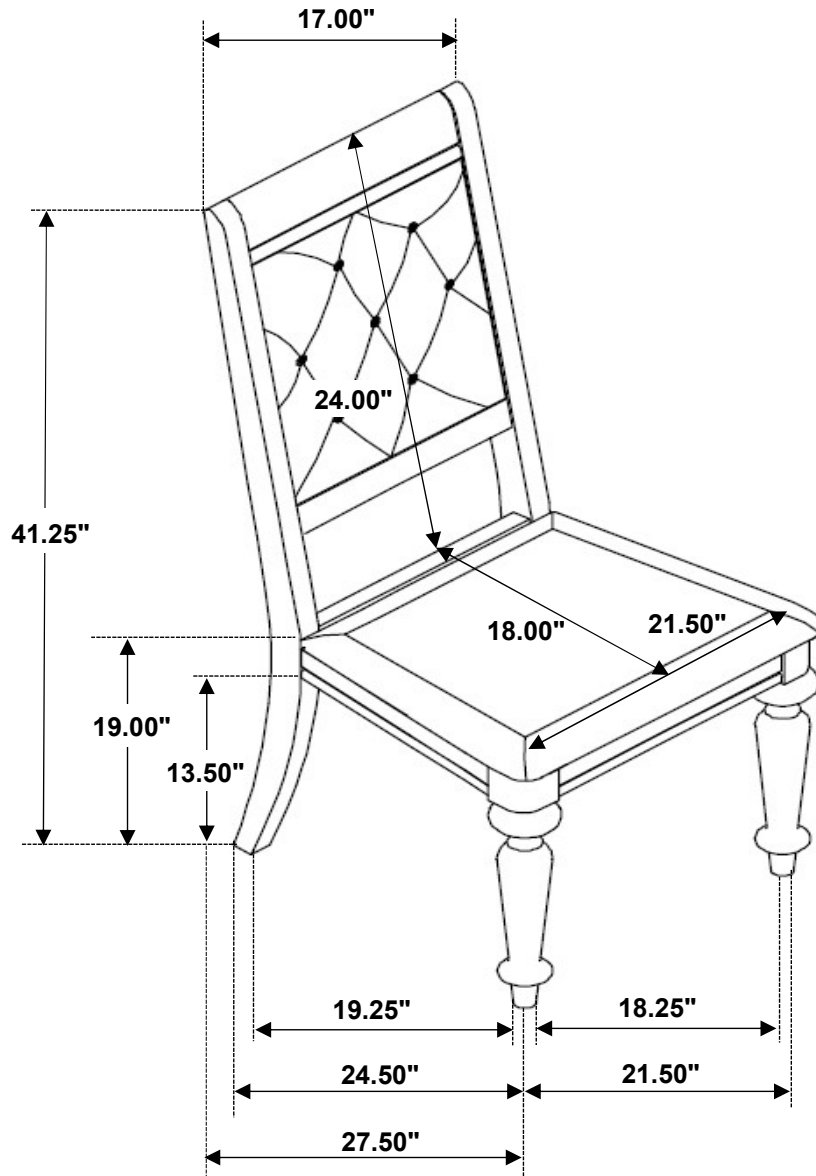
## STEP 2



## STEP 3 **COMPLETE**



ITEM: 106472



Note : Dimension tolerance  $\pm 5\%$