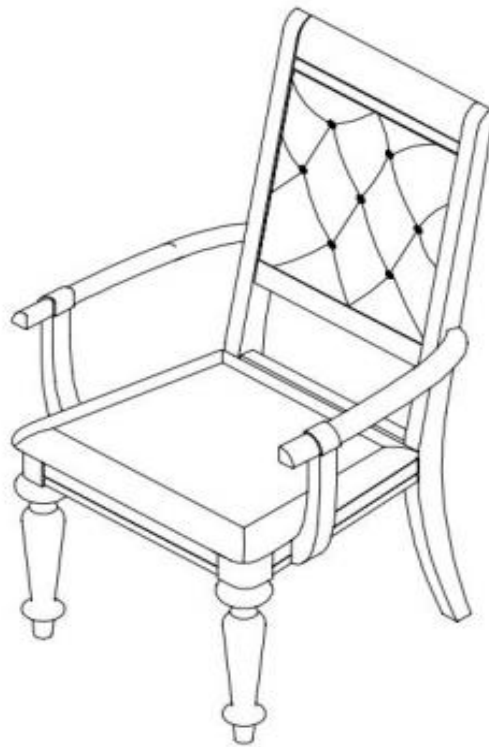


ASSEMBLY INSTRUCTIONS
COASTER FINE FURNITURE



Fine Furniture for every stage of life

106473
Dining Arm Chair

ITEM:106473



ASSEMBLY INSTRUCTIONS

ASSEMBLY TIPS:

1. Remove hardware from box and sort by size.
2. Please check to see that all hardware and parts are present prior to start of assembly.
3. Please follow attached instructions in the same sequence as numbered to assure fast & easy assembly.



WARNING!

1. Don't attempt to repair or modify parts that are broken or defective. Please contact the store immediately.
2. This product is for home use only and not intended for commercial establishments.



ASSEMBLY TIME

15 MINUTES

PARTS IDENTIFICATION

A	BACK FRAME		1PC
B	SEAT CUSHION WITH FRAME		1PC
C	FRONT LEG		2PCS
D	LEFT ARM REST		1PC
E	RIGHT ARM REST		1PC

HARDWARE IDENTIFICATION

1	ALLEN WRENCH (4MM - RBW)		1PC	5	LOCK WASHER (Ø5/16" - RBW)		12PCS
2	BOLT 4 (Ø5/16" x 3-1/7" - RBW)		4PCS	6	FLAT WASHER (Ø5/16" - RBW)		12PCS
3	BOLT 3 (Ø5/16" x 2-3/8" - RBW)		4PCS	7	BOLT 1 (Ø5/16" x 1-5/8" - RBW)		2PCS
4	BOLT 2 (Ø5/16" x 1-1/2" - RBW)		2PCS	8	PAN HEAD SCREW (Ø8/1-1/2" - RWB)		2PCS

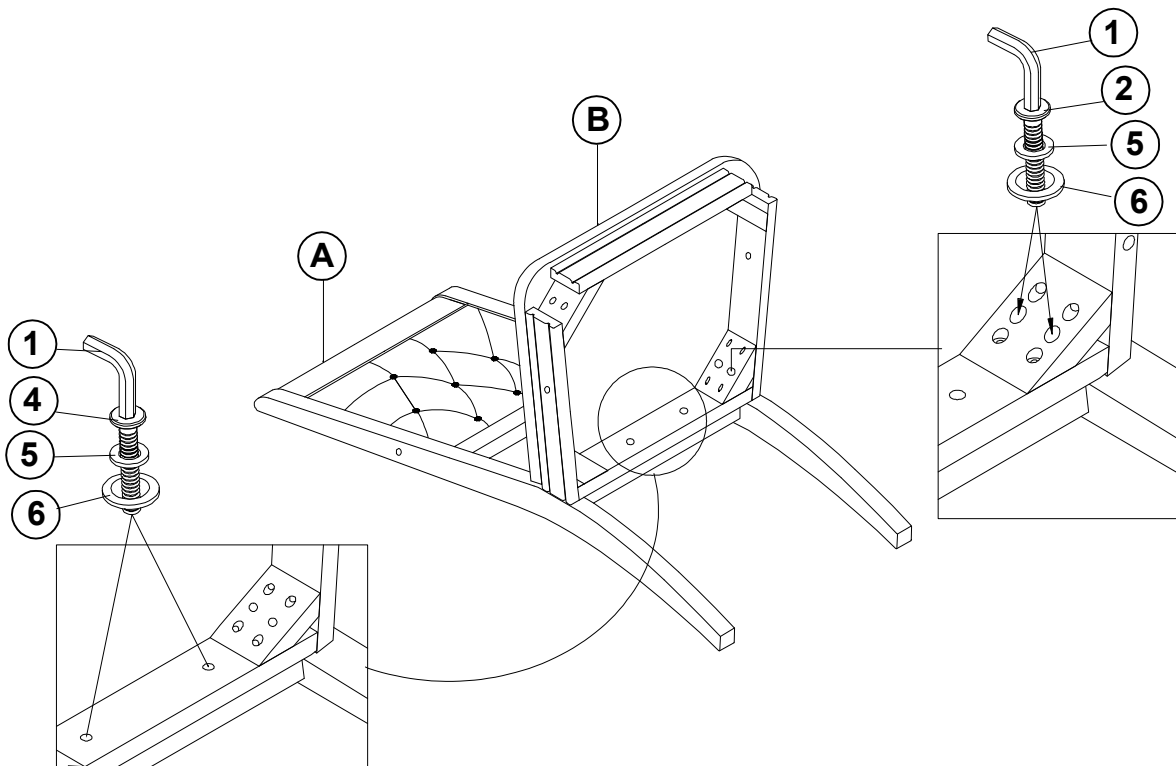
NOTE:

Quantities shown are for one chair.

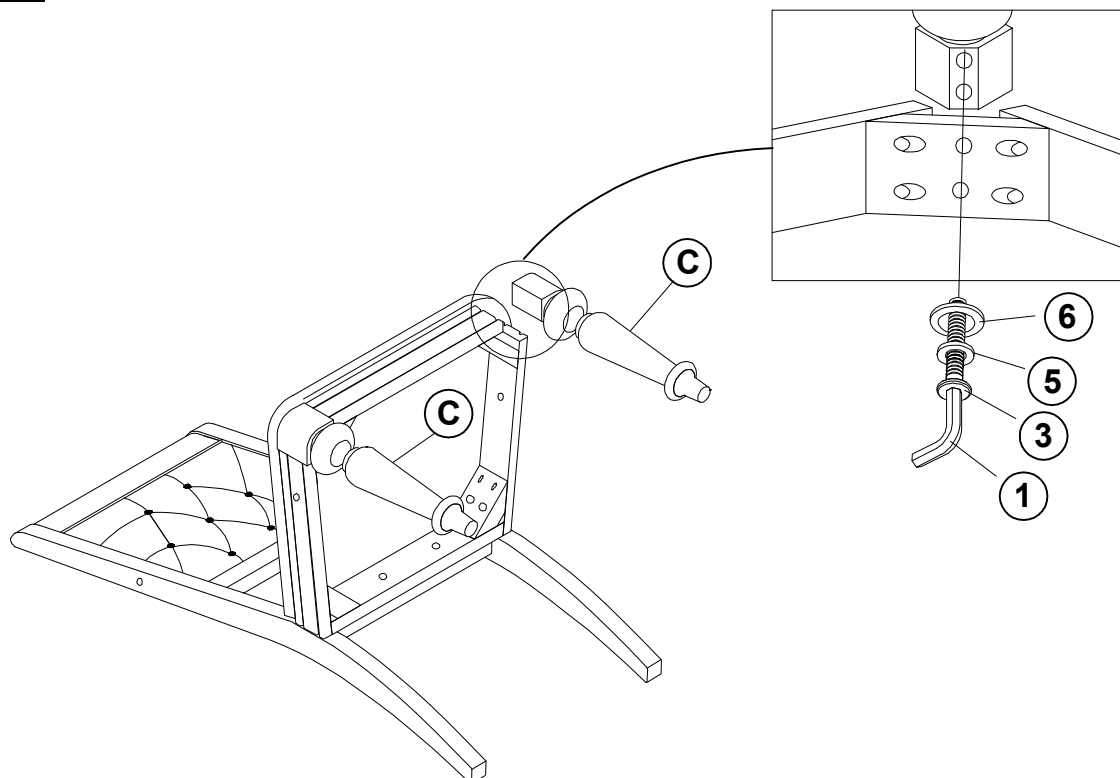
Phillips head screw driver is required in the assembly process; however, manufacturer does not provide this item.

ITEM: **106473**

ASSEMBLY INSTRUCTIONS
STEP 1



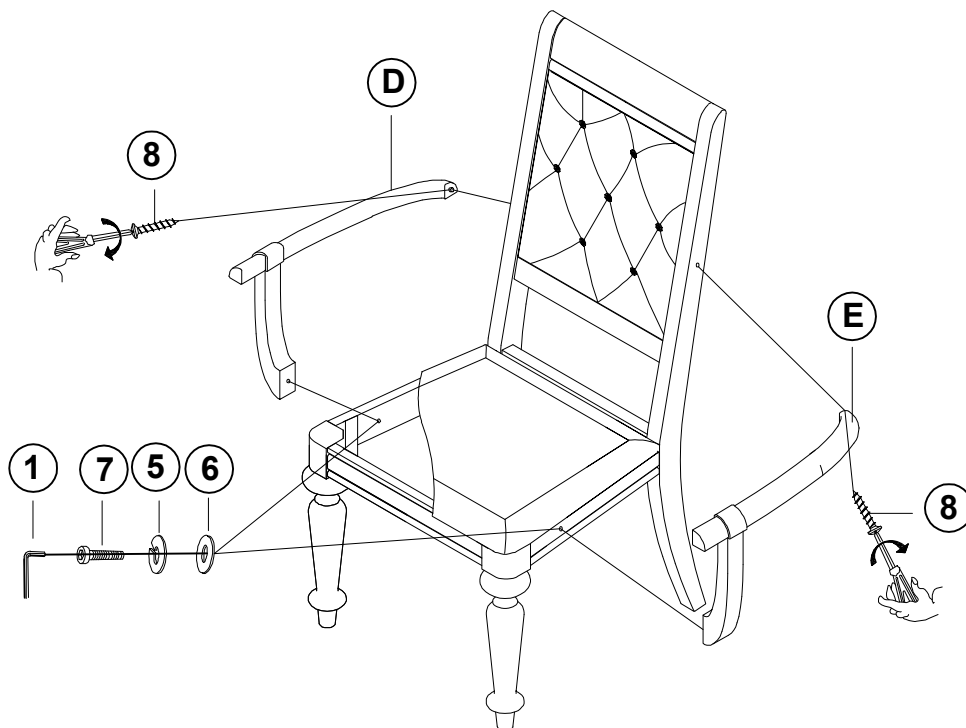
STEP 2



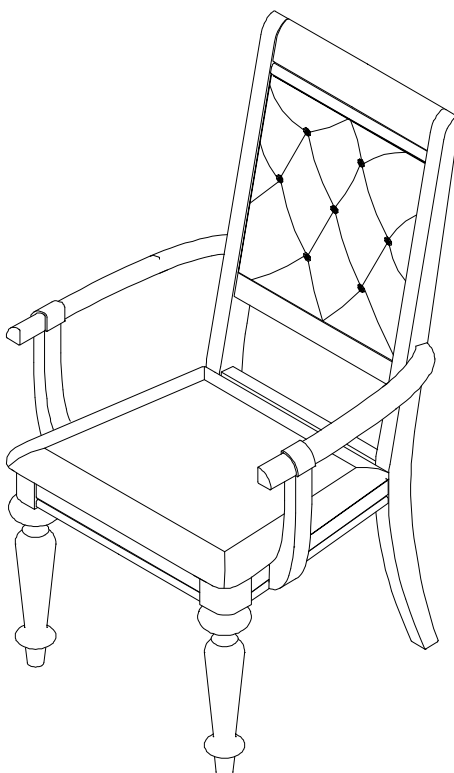
ITEM: **106473**



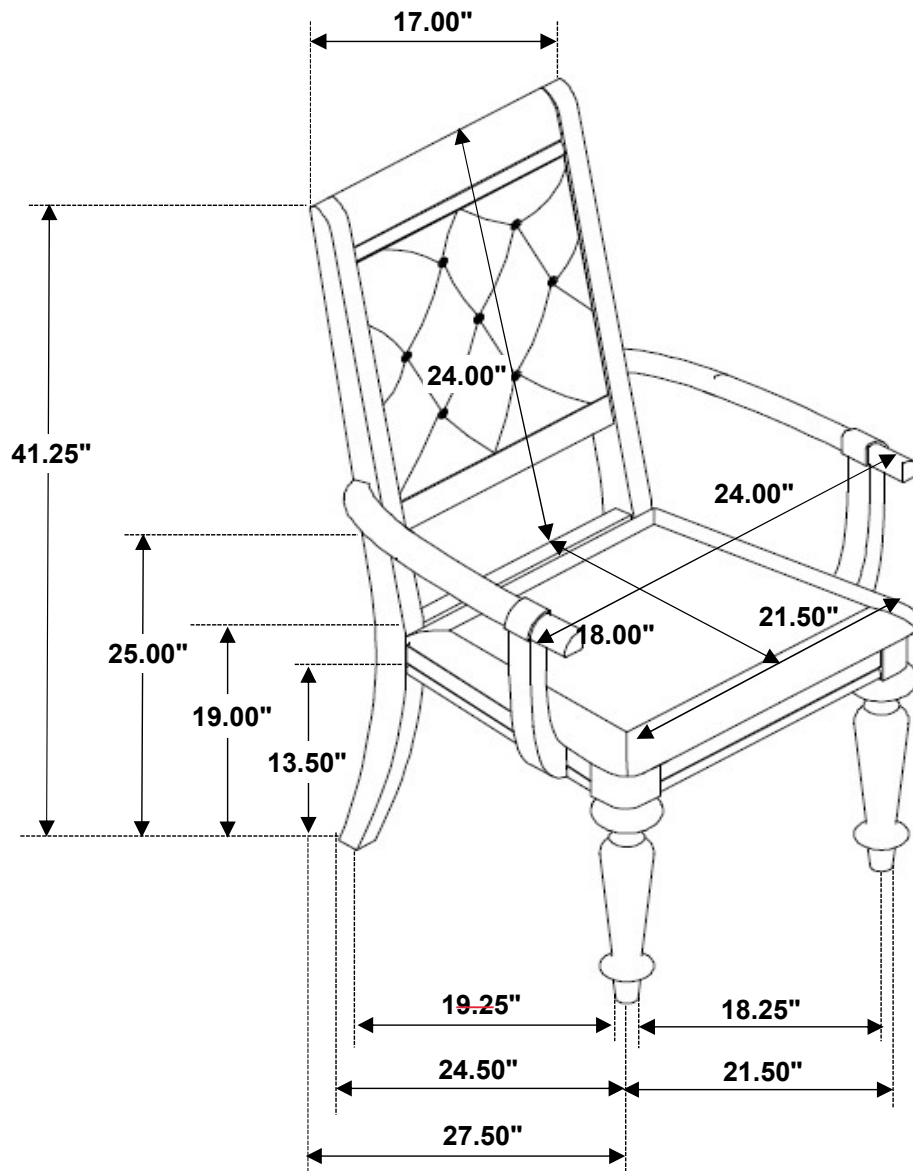
ASSEMBLY INSTRUCTIONS
STEP 3



STEP 4
COMPLETE



ITEM:106473



Note : Dimension tolerance $\pm 5\%$