



*ASSEMBLY INSTRUCTIONS
COASTER FINE FURNITURE*



551752
CORNER

ITEM: 551752

ASSEMBLY INSTRUCTIONS



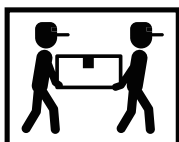
ASSEMBLY TIPS:

1. Remove hardware from box and sort by size.
2. Please check to see that all hardware and parts are present prior to start of assembly.
3. Please follow attached instructions in the same sequence as numbered to assure fast & easy assembly.



WARNING!



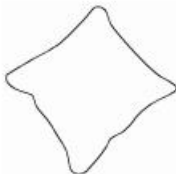
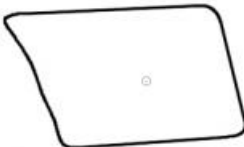
1. Don't attempt to repair or modify parts that are broken or defective. Please contact the store immediately.
2. This product is for home use only and not intended for commercial establishments.



ASSEMBLY TIME

10 MINUTES

PARTS IDENTIFICATION

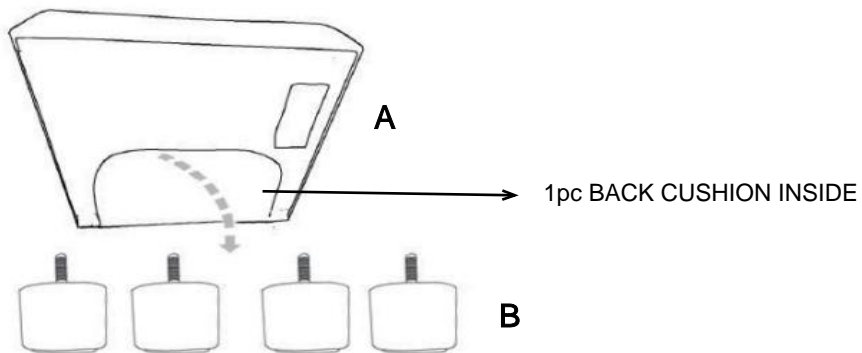
	PART NAME	FIGURE	QUANTITY
A	CORNER		1PC
B	LEG		4PCS
C	PILLOW		1PC
D	BACK CUSHION		2PCS

ITEM: 551752

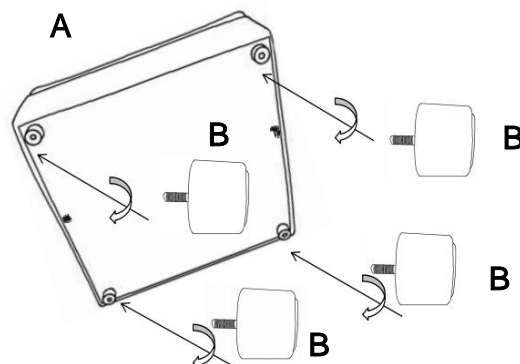


ASSEMBLY INSTRUCTIONS

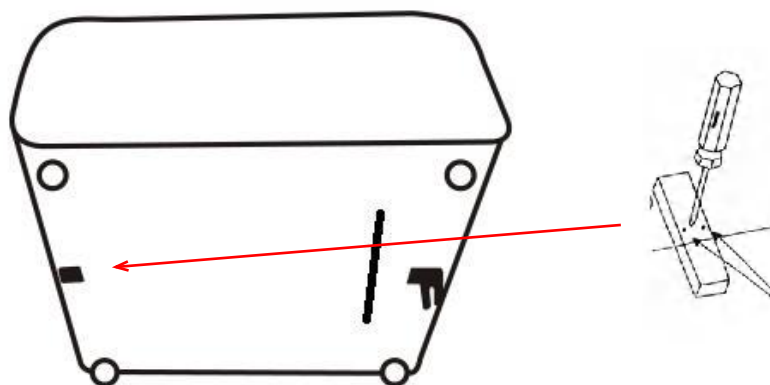
STEP 1 Turn over the item and take out the legs from zippered pouch



STEP 2 Install the legs as pictures show

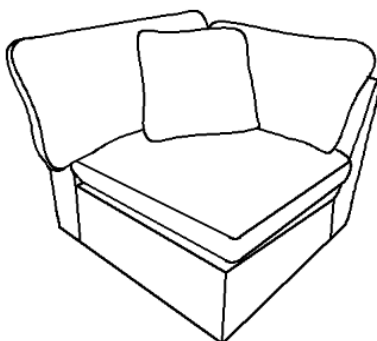


STEP 3 Please remove the wood block with screwdriver, do not use a hammer



STEP 4

COMPLETE

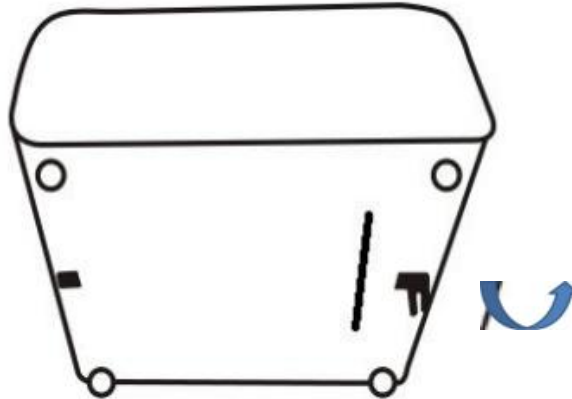


ITEM: **551752**

ASSEMBLY INSTRUCTIONS



STEP 5 Rotate the metal clips

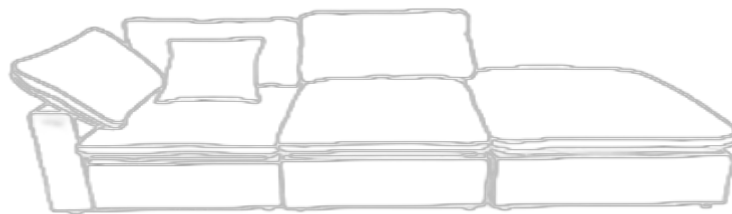


STEP 6 Put the armless chair and corner and ottoman closer

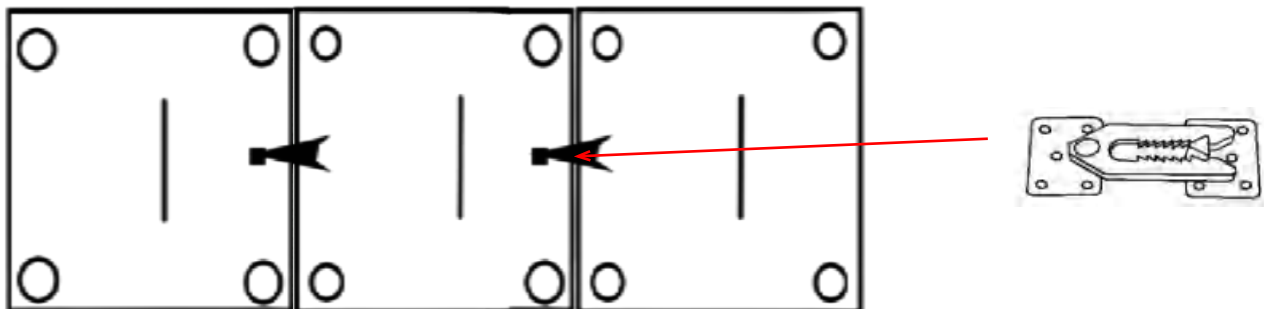
551752

551751

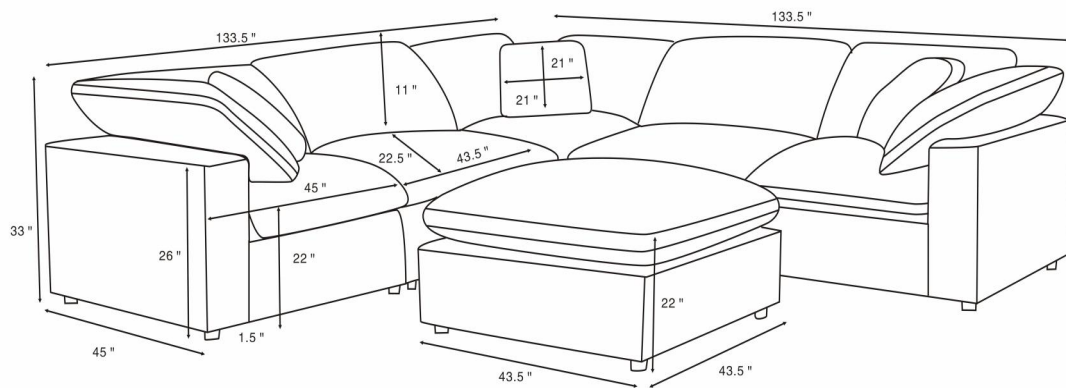
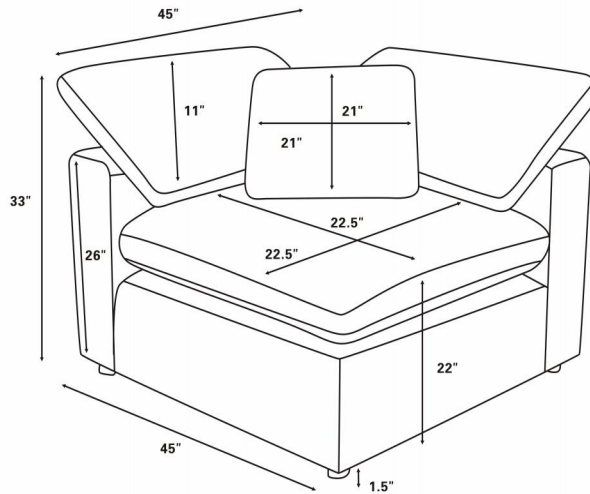
551753



STEP 7 Insert the metal clips to connect other units as pictures show



ITEM: 551752



Note : Dimension tolerance $\pm 5\%$

