



*ASSEMBLY INSTRUCTIONS  
COASTER FINE FURNITURE*



551753  
OTTOMAN

ITEM: 551753

## ASSEMBLY INSTRUCTIONS



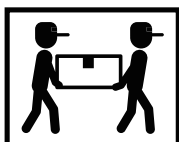
### ASSEMBLY TIPS:

1. Remove hardware from box and sort by size.
2. Please check to see that all hardware and parts are present prior to start of assembly.
3. Please follow attached instructions in the same sequence as numbered to assure fast & easy assembly.



### WARNING!



1. Don't attempt to repair or modify parts that are broken or defective. Please contact the store immediately.
2. This product is for home use only and not intended for commercial establishments.



ASSEMBLY TIME

5 MINUTES

## PARTS IDENTIFICATION

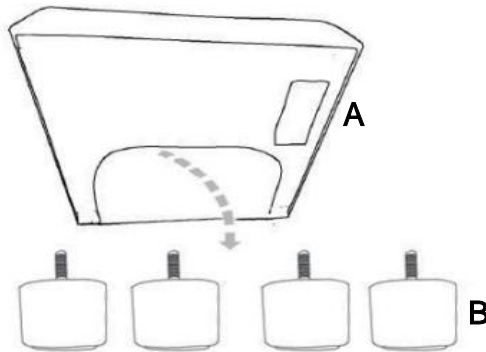
	PART NAME	FIGURE	QUANTITY
A	OTTOMAN		1PC
B	LEG		4PCS

ITEM: 551753

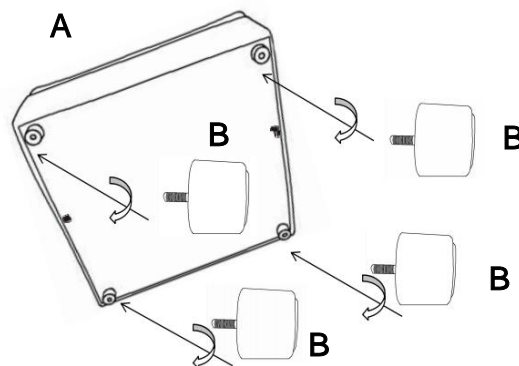


## ASSEMBLY INSTRUCTIONS

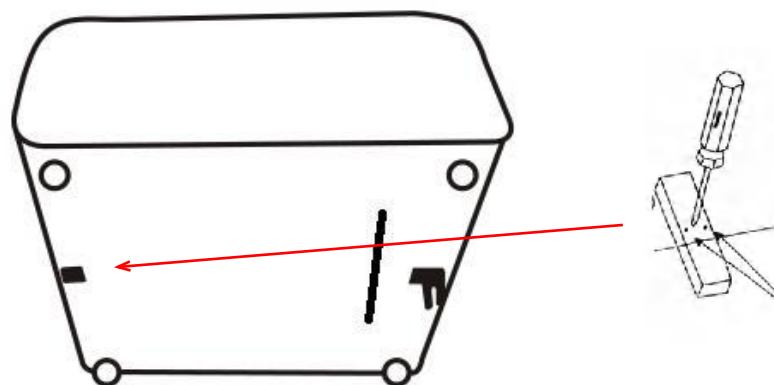
**STEP 1** Turn over the item and take out the legs from zippered pouch



**STEP 2** Install the legs as pictures show

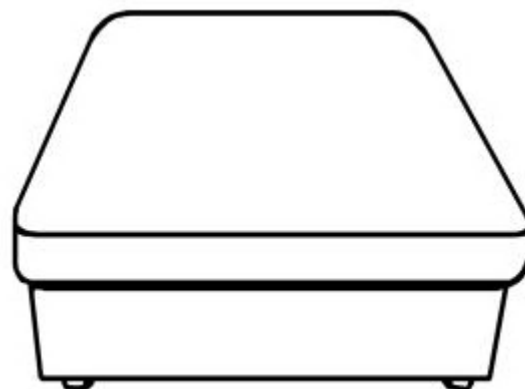


**STEP 3** Please remove the wood block with screwdriver, do not use a hammer



**STEP 4**

COMPLETE

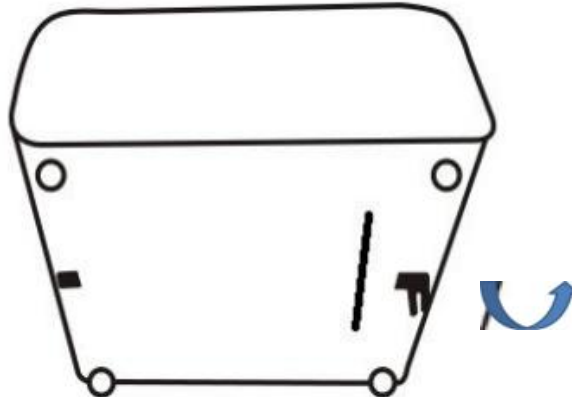


ITEM: **551753**

**ASSEMBLY INSTRUCTIONS**



**STEP 5** Rotate the metal clips

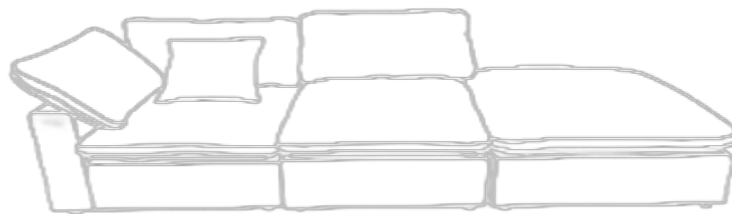


**STEP 6** Put the armless chair and corner and ottoman closer

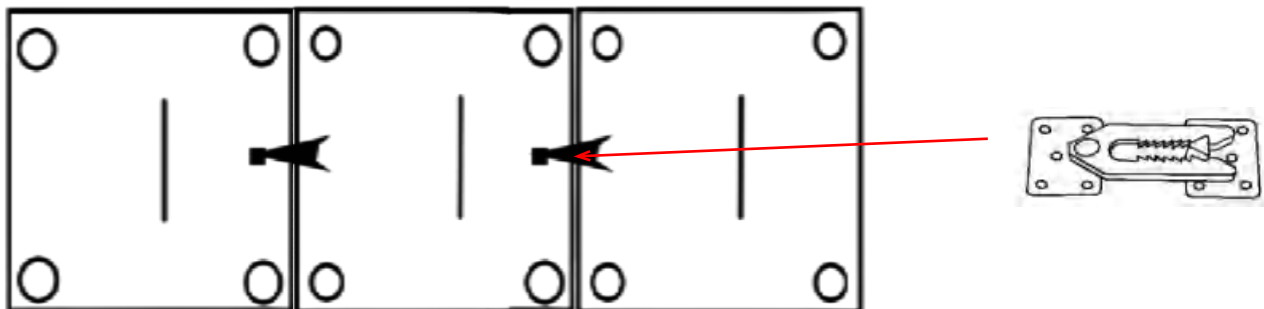
551752

551751

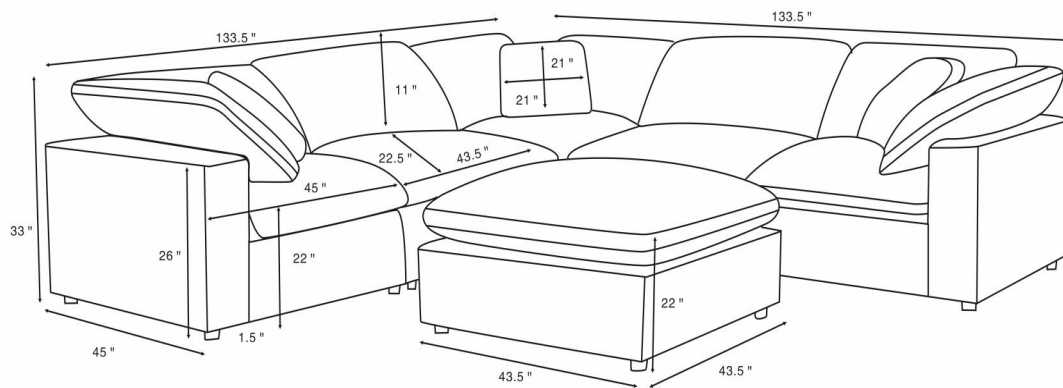
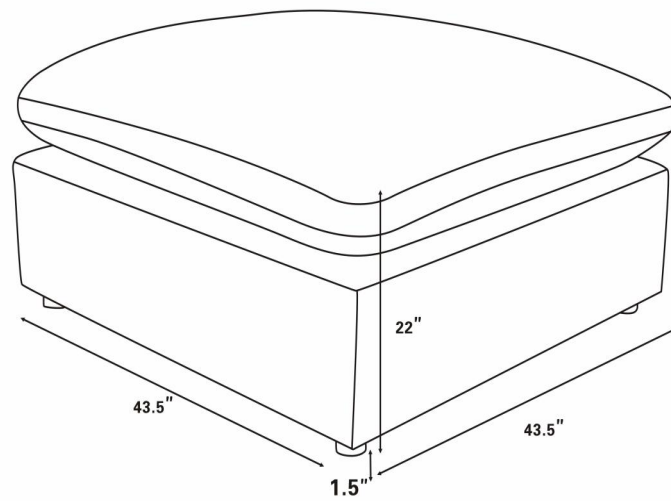
551753



**STEP 7** Insert the metal clips to connect other units as pictures show



ITEM: 551753



Note : Dimension tolerance  $\pm 5\%$

