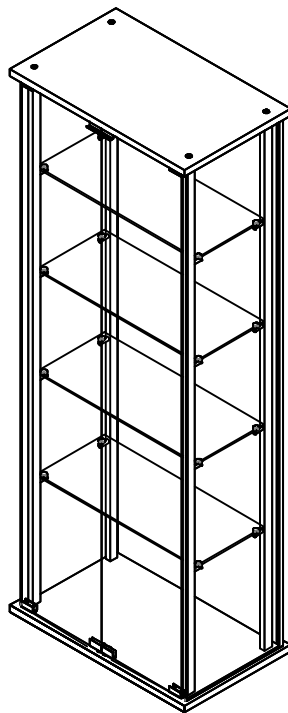


*ASSEMBLY INSTRUCTIONS*  
*COASTER FINE FURNITURE*



*Fine Furniture for every stage of life*

950170  
***CURIO CABINET***

REVISION 0 : 03/15/2018  
REVISION 1 : 06/12/2024

ITEM:950170



# ASSEMBLY INSTRUCTIONS

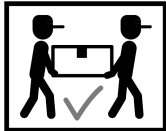
## ASSEMBLY TIPS:

1. Remove hardware from box and sort by size.
2. Please check to see that all hardware and parts are present prior to start of assembly.
3. Please follow attached instructions in the same sequence as numbered to assure fast & easy assembly.



## WARNING!

1. Don't attempt to repair or modify parts that are broken or defective. Please contact the store immediately.
2. This product is for home use only and not intended for commercial establishments.



ASSEMBLY TIME 50 MINUTES

## PARTS IDENTIFICATION

A	DOOR GLASS 1555x279mm		2PCS
B	SIDE GLASS 1576x345mm		2PCS
C	BACK GLASS 1576x567mm		1PC
D	PLASTIC BAR		2PCS
E	SHELF SUPPORT		4PCS
F	TOP WOOD PANEL		1PC
G	BOTTOM WOOD PANEL		1PC

ITEM:950170

# ASSEMBLY INSTRUCTIONS

## PARTS IDENTIFICATION



H

GLASS SHELF  
565x250mm



4PCS

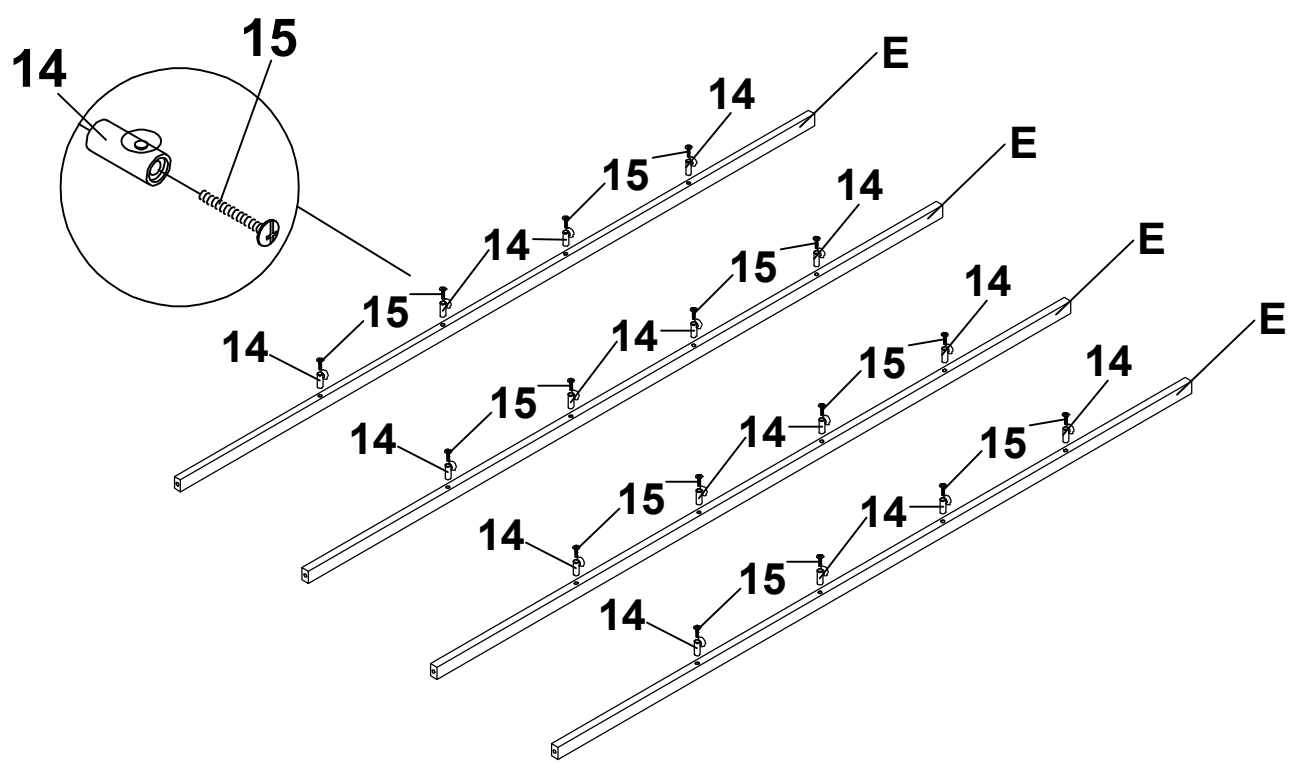
## HARDWARE IDENTIFICATION

1	PLASTIC FEET ( $\phi 44$ x 18mm)		4PCS	9	HANDLE (40mm)		2PCS
2	ALLEN BOLT-LARGE (1/4" x 1-3/4")		8PCS	10	METAL CONTACT (40mm)		2PCS
3	WASHER (1/4" x 16mm)		8PCS	11	ADHESIVE (38 x 42mm)		4PCS
4	HINGE (40mm)		4PCS	12	SCREW ( $\phi 8$ x 22mm)		4PCS
5	HINGE INSERT ( $\phi 12$ x 9mm)		4PCS	13	ALLEN KEY (4mm)		1PC
6	METAL WITH ADHESIVE (38mm)		4PCS	14	SUCTION CUP ( $\phi 20$ x 28mm)		16PCS
7	SMALL BOLT ( $\phi 7$ x 6mm)		8PCS	15	BOLT ( $\phi 8$ x 30mm)		16PCS
8	PLASTIC MAGNET (19mm)		4PCS	16	STICKER ( $\phi 20$ mm)		4PCS

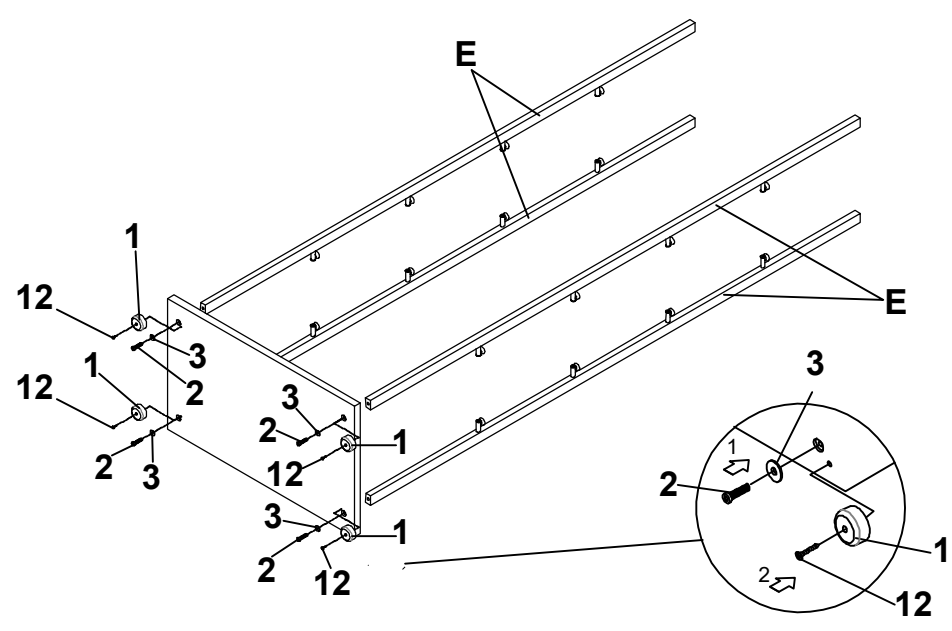
ITEM: 950170  
ASSEMBLY INSTRUCTIONS



STEP 1



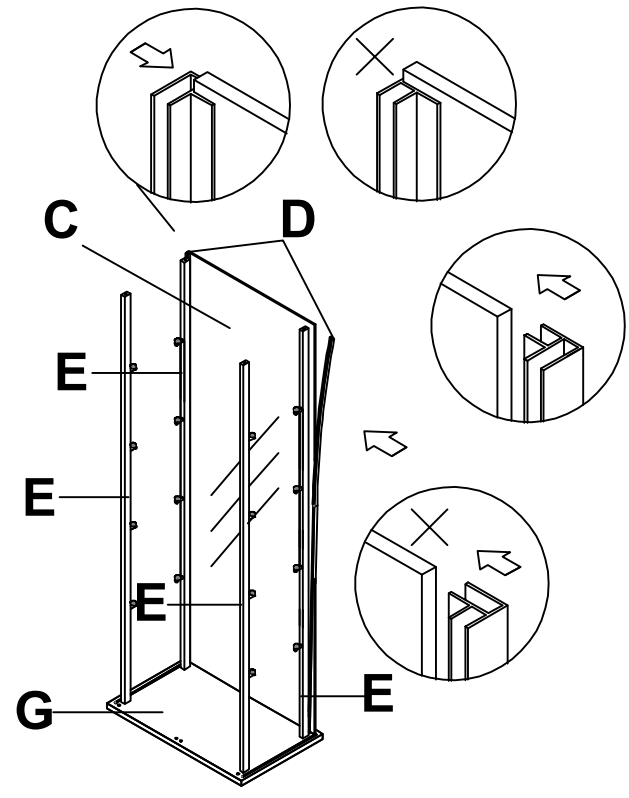
STEP 2



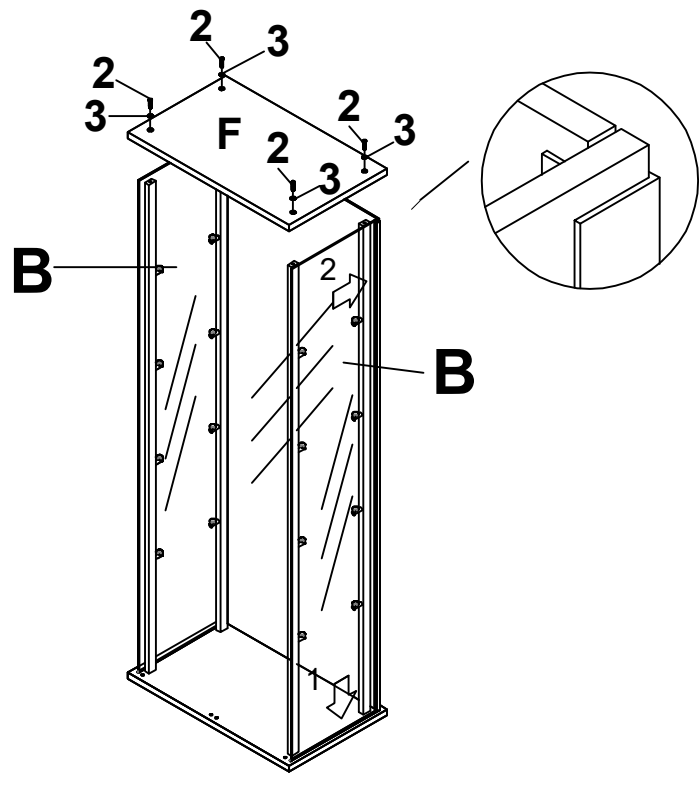
ITEM: 950170  
ASSEMBLY INSTRUCTIONS



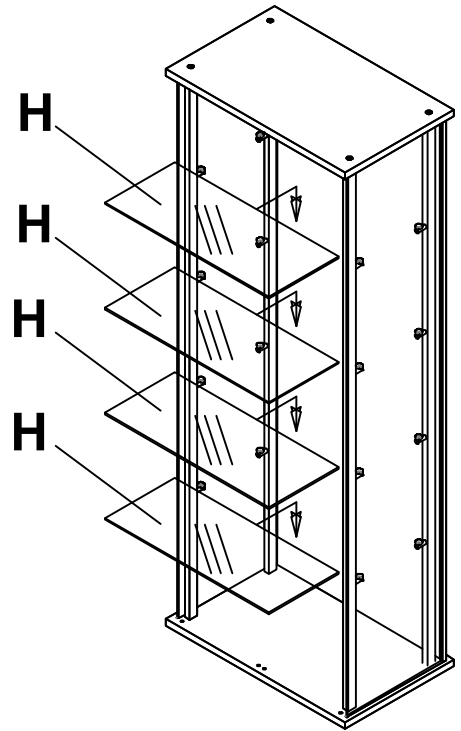
STEP 3



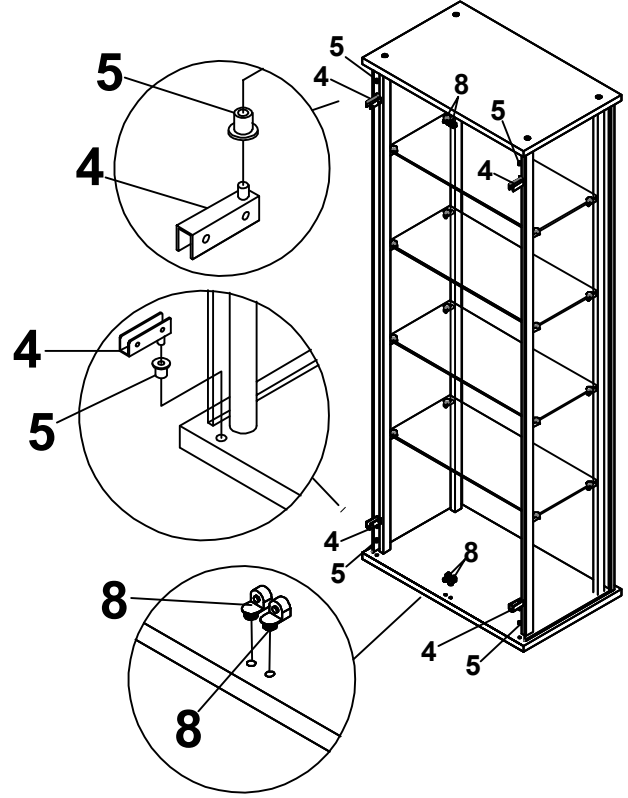
STEP 4



ITEM: 950170  
**ASSEMBLY INSTRUCTIONS**  
STEP 5



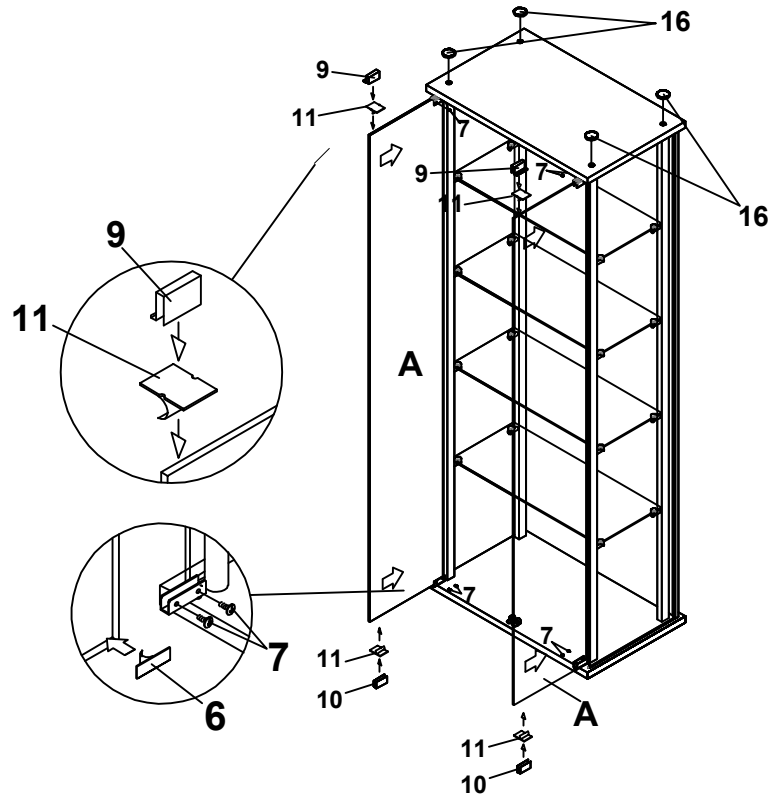
STEP 6



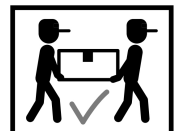
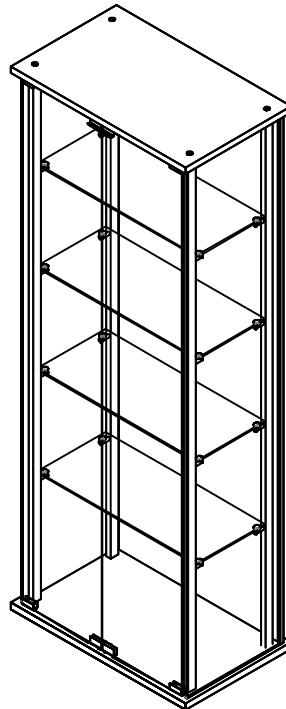
ITEM: 950170  
ASSEMBLY INSTRUCTIONS



STEP 7



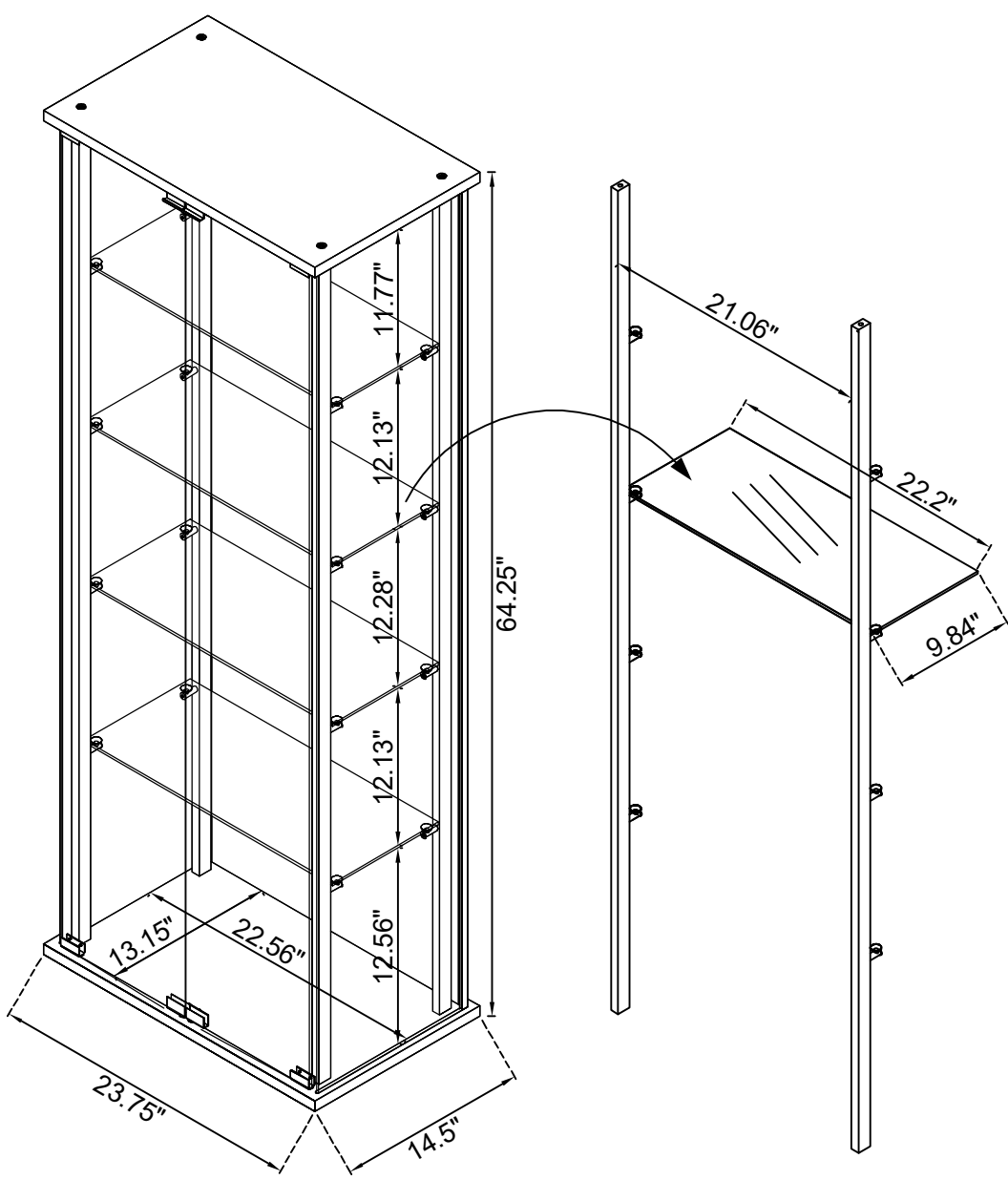
STEP 8  
COMPLETE



# ITEM:950170 ASSEMBLY INSTRUCTIONS



Product Size : 603 X 367 X 1632 H (MM)
Product Size : 23.75" X 14.5" X 64.25"



Note : Dimension tolerance  $\pm 5\%$



ITEM: **950170**



## ANTI-TIPPING INSTALLMENT INSTRUCTIONS

### FURNITURE TIPPING RESTRAINT

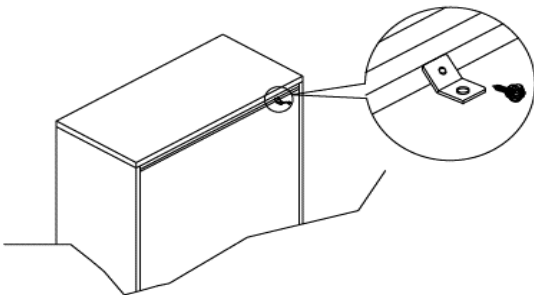
#### WARNING

Injury may result from tipping furniture.  
This restraint may protect against tipping furniture.  
Do not allow children to climb on furniture.  
This restraint is not a substitute for proper adult supervision.  
Failure to detach this restraint before moving the furniture may result in injury and damage.

This tip restraint must be attached to a wall stud using long screw enclosed.

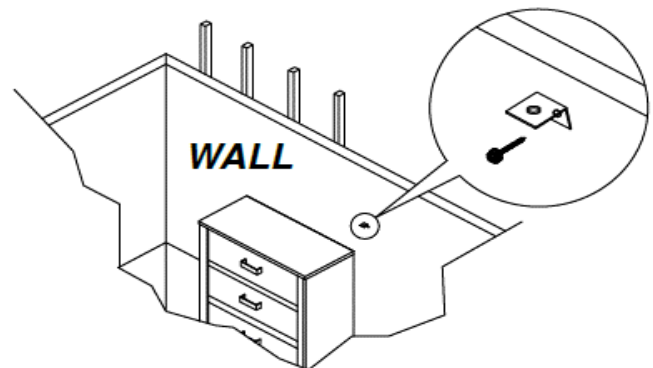
#### STEP 1

Attach a bracket securely to the back top rail of the furniture using short screw provided, through the smaller hole.



#### STEP 2

Locate the other bracket on the wall over a plastic wall stud and two inches below the mounting bracket secured to the back of the furniture. Attach the wall stud using the long screw provided, through the smaller hole.



#### STEP 3

Place the furniture into position so both mounting brackets are vertically in line. Lace the end of the restraint strap through the larger hole in each mounting bracket. Bring both ends together and slide the flat end through the locking end and draw it through until all slack is removed. Confirm that the strap is securely laced and locked.

