

*ASSEMBLY INSTRUCTIONS
COASTER FINE FURNITURE*



Fine Furniture for every stage of life

801863
BOOKCASE

ITEM: 801863



ASSEMBLY INSTRUCTIONS

ASSEMBLY TIPS:

1. Remove hardware from box and sort by size.
2. Please check to see that all hardware and parts are present prior to start of assembly.
3. Please follow attached instructions in the same sequence as numbered to assure fast & easy assembly.



WARNING!

1. Don't attempt to repair or modify parts that are broken or defective. Please contact the store immediately.
2. This product is for home use only and not intended for commercial establishments.



ASSEMBLY TIME

60 MINUTES

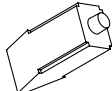
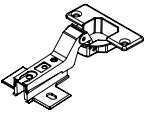
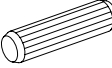

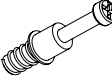


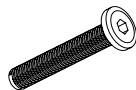
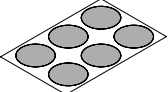
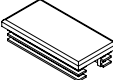


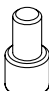

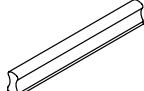


PARTS IDENTIFICATION

A	LEFT SIDE PANEL		1 PC	H	ADJUSTABLE SHELF		2 PCS
B	RIGHT SIDE PANEL		1 PC	I	BACK PANEL		1 PC
C	MIDDLE DIVIDER PANEL		1 PC	J	LOWER BACK PANEL		2 PCS
D	BOTTOM PANEL		1 PC	K	DOOR		2 PCS
E	MIDDLE CROSS PANEL		1 PC	L	LEG		2 PCS
F	UPPER CROSS PANEL		2 PCS	M	CROSSBAR		1 PC
G	TOP PANEL		1 PC				

NOTE:

Phillips head screw driver is required in the assembly process; however, manufacturer does not provide this item.

HARDWARE IDENTIFICATION

Z							
NO	DESCRIPTION	FIGURE	Q'TY	NO	DESCRIPTION	FIGURE	Q'TY
1	GLUE 40g		1 PC	10	HINGE Ø 35mm SR		4 PCS
2	WOODEN DOWEL Ø8x30mm		32 PCS	11	HINGE SCREW Ø 4x15mm SR		16 PCS
3	CAM BOLT Ø7x35.5mm SR		14 PCS	12	BOLT M6x62mm BLK		6 PCS
4	CAM LOCK Ø15x12mm SR		14 PCS	13	BOLT M6x43mm BLK		4 PCS
5	STICKER Ø20mm		3PCS	14	FLOOR PROTECTOR 40x20mm		4 PCS
6	LONG SCREW Ø 4.5x42mm SR		18 PCS	15	ALLEN WRENCH 4mm SR		1 PC
7	PIN Ø4.9x15mm SR		8 PCS	16	FIXER		6 PCS
8	HANDLE L= 120mm BLK		2 PCS	17	FIXER SCREW Ø 3x19mm SR		6 PCS
9	HANDLE BOLT BLK		4 PCS				

z8, z9, z10 not included in blister packaging.

NOTE:

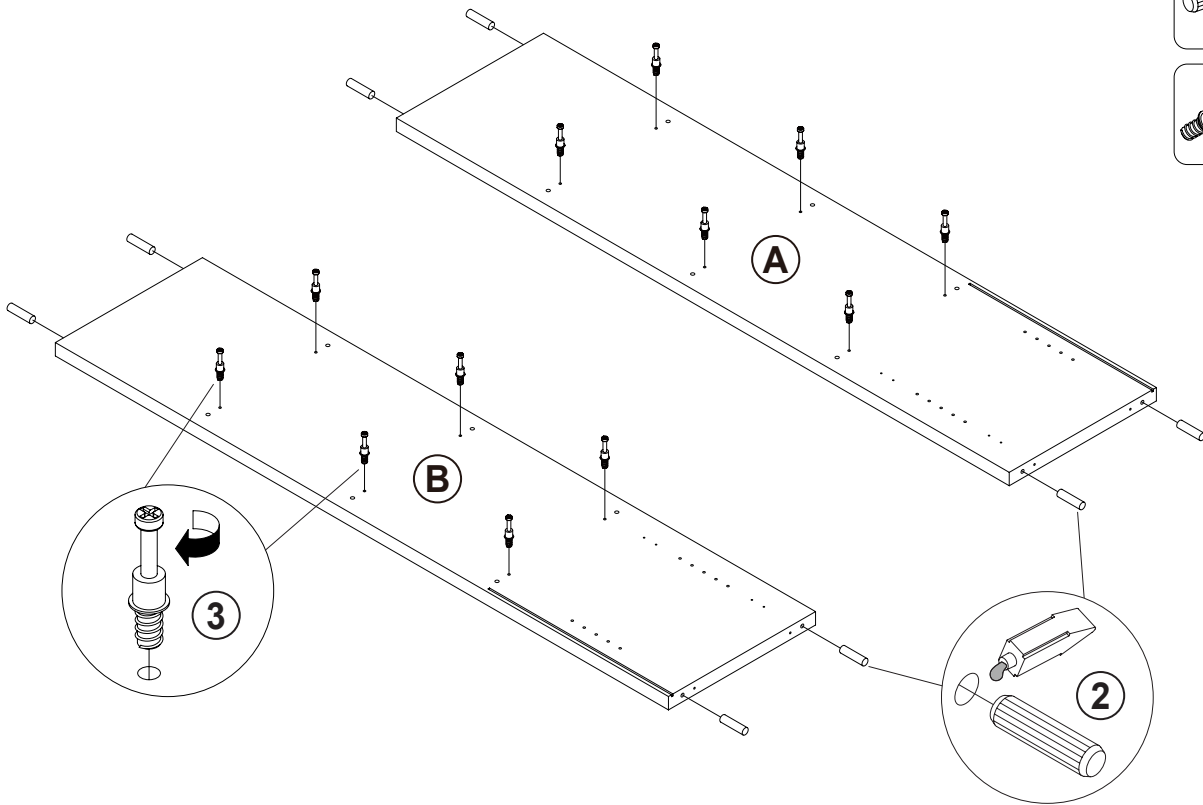
Phillips head screw driver is required in the assembly process; however, manufacturer does not provide this item.

ITEM: 801863

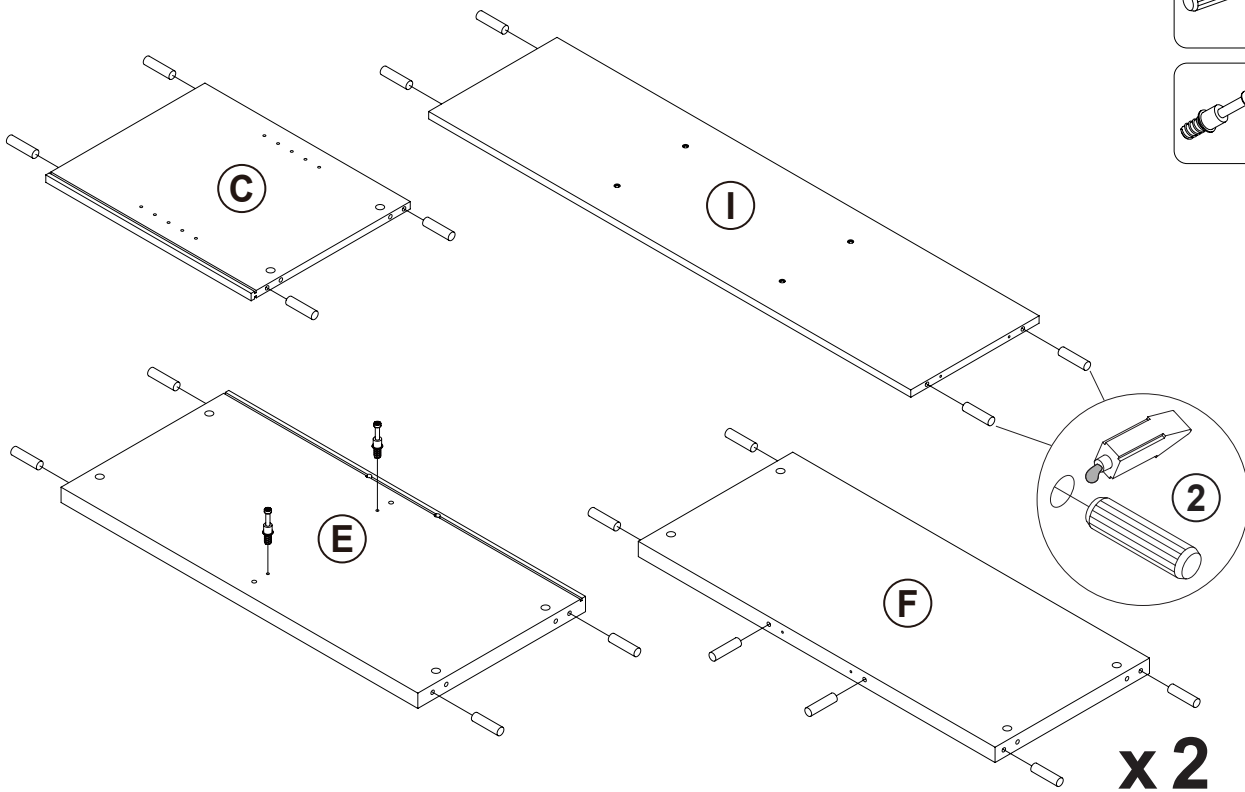
COASTER[®]

FINE FURNITURE

STEP 1



STEP 2

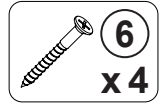
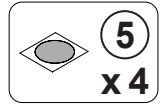
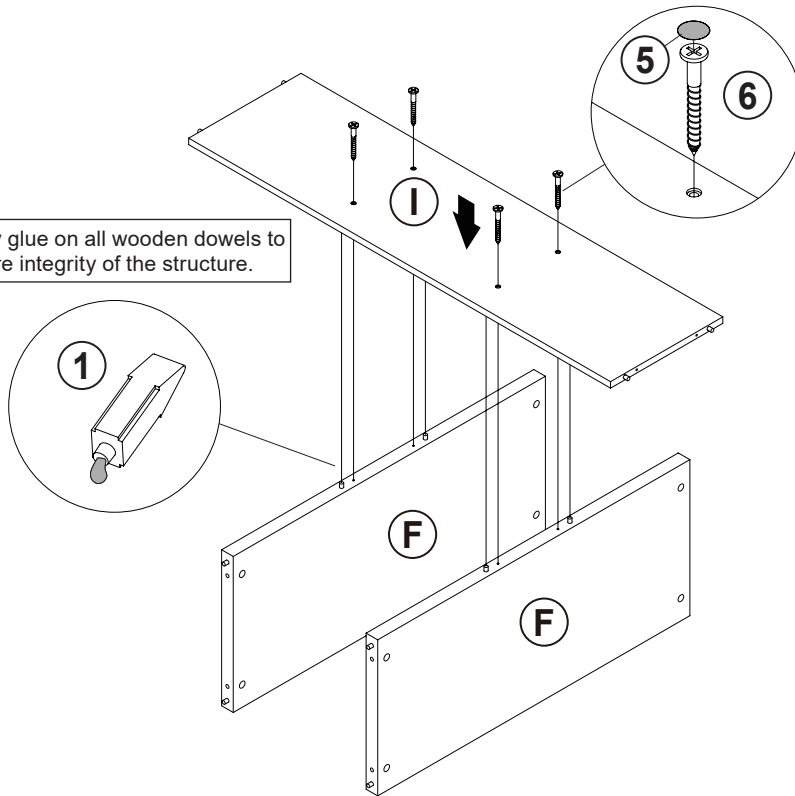


ITEM: 801863

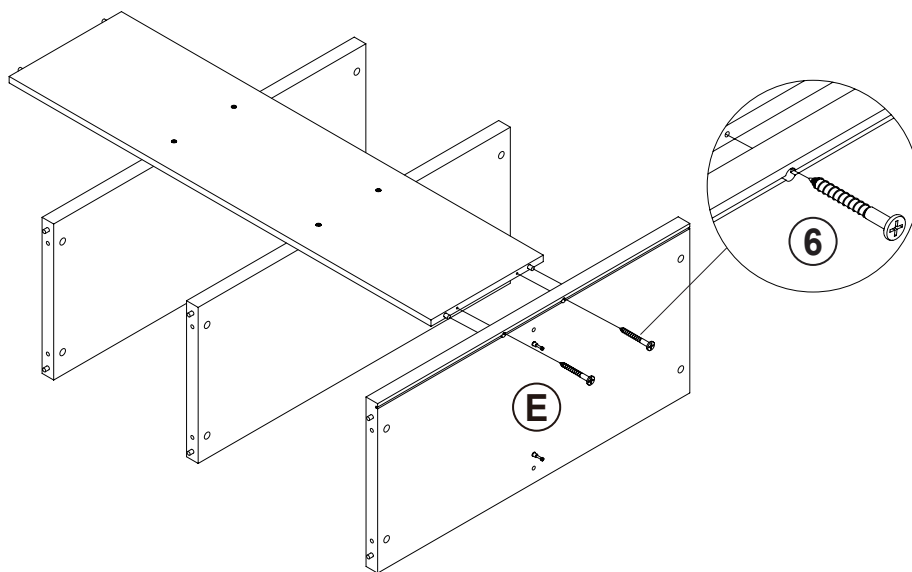
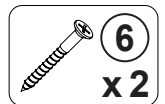
COASTER
FINE FURNITURE

STEP 3

Apply glue on all wooden dowels to ensure integrity of the structure.



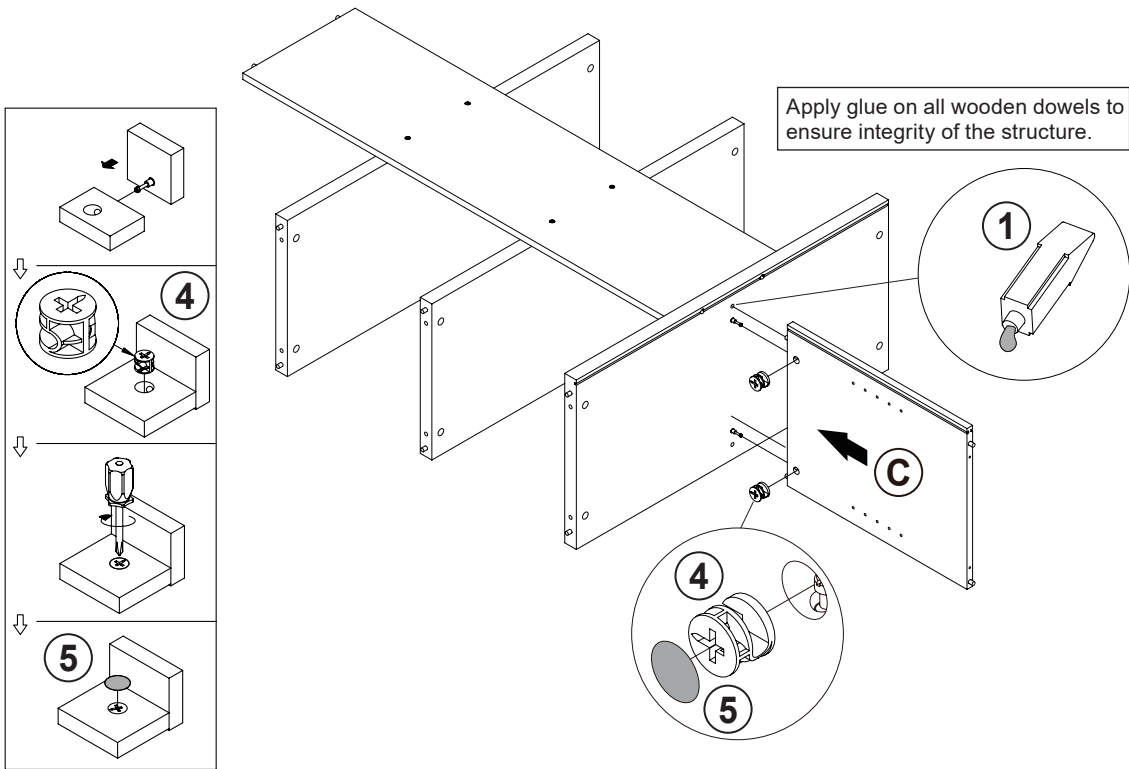
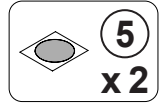
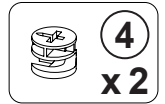
STEP 4



ITEM: 801863

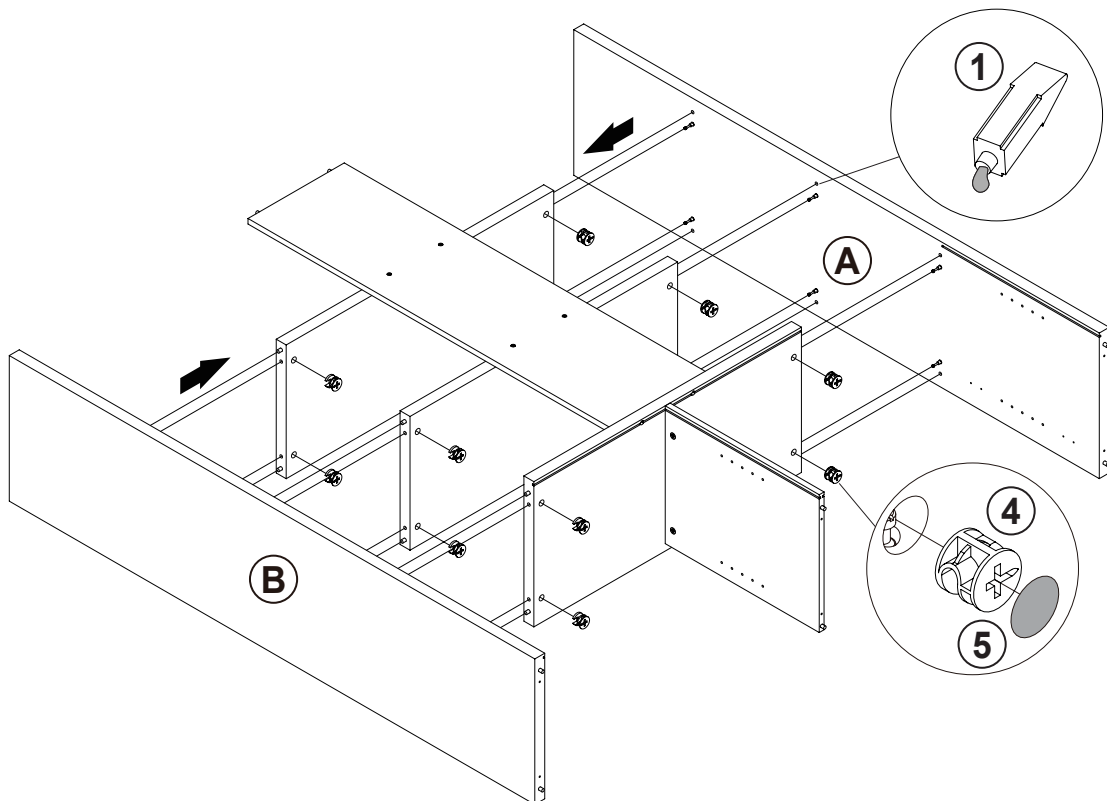
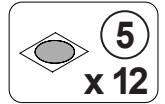
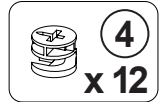
COASTER
FINE FURNITURE

STEP 5



STEP 6

Apply glue on all wooden dowels to ensure integrity of the structure.

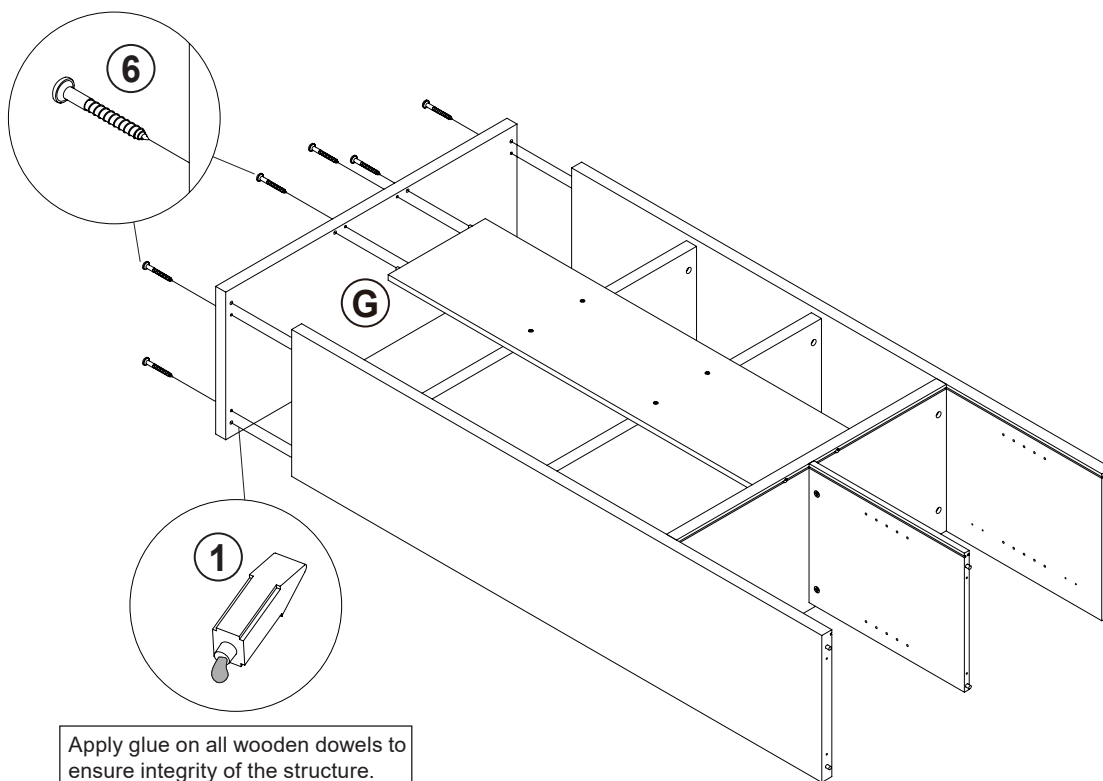
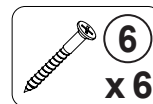


ITEM: **801863**

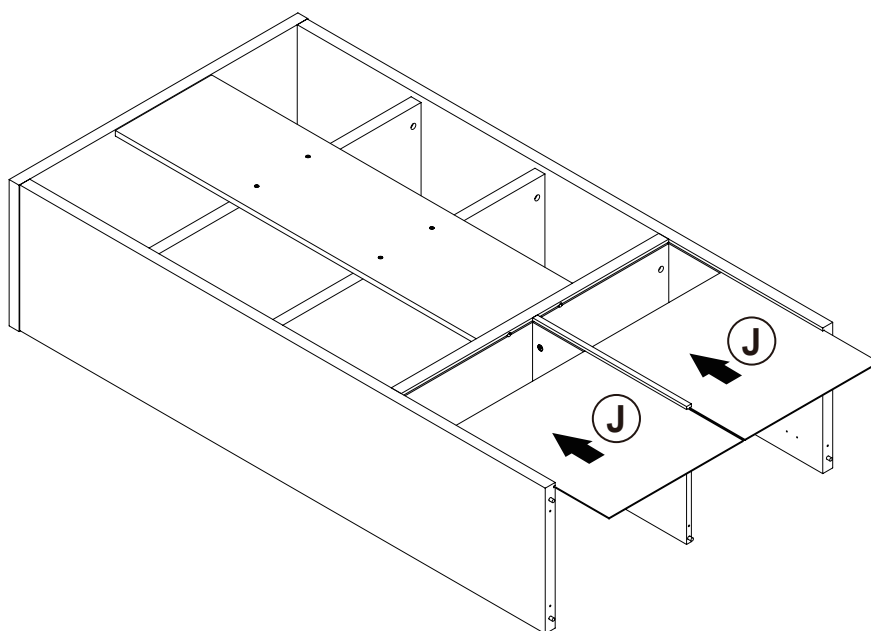
COASTER[®]

FINE FURNITURE

STEP 7

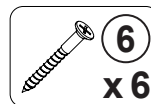


STEP 8

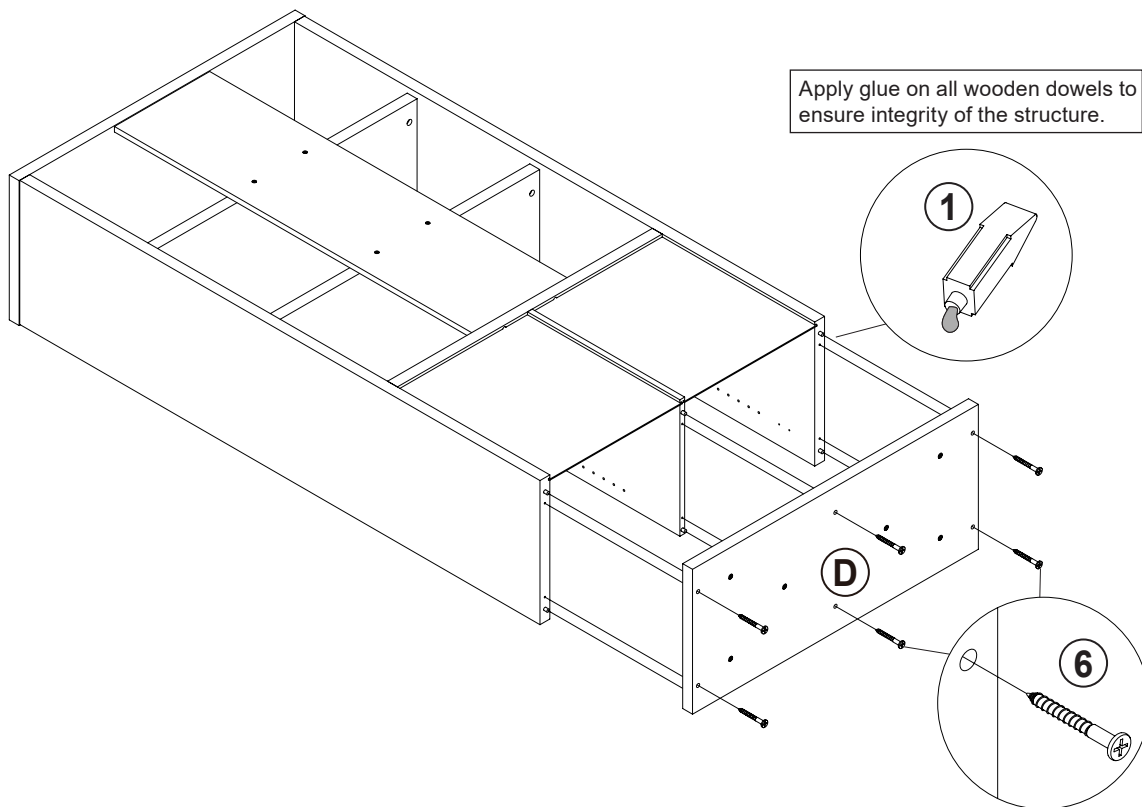


ITEM: **801863**

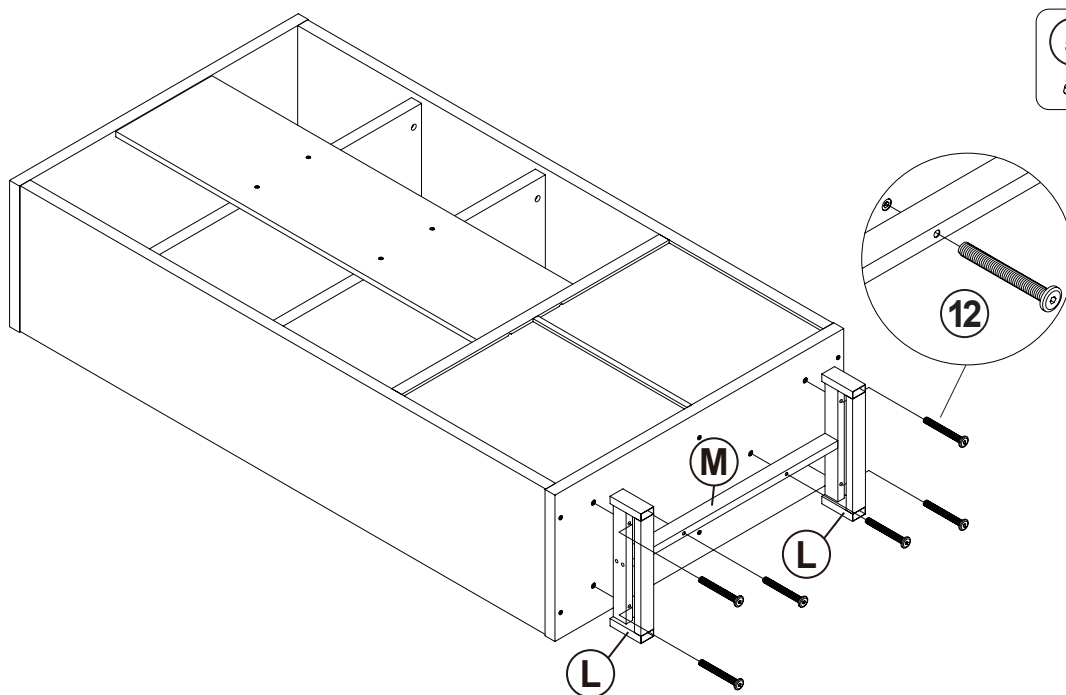
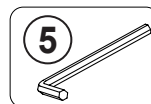
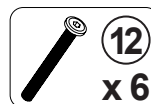
STEP 9



Apply glue on all wooden dowels to ensure integrity of the structure.



STEP 10

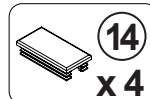
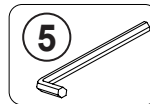
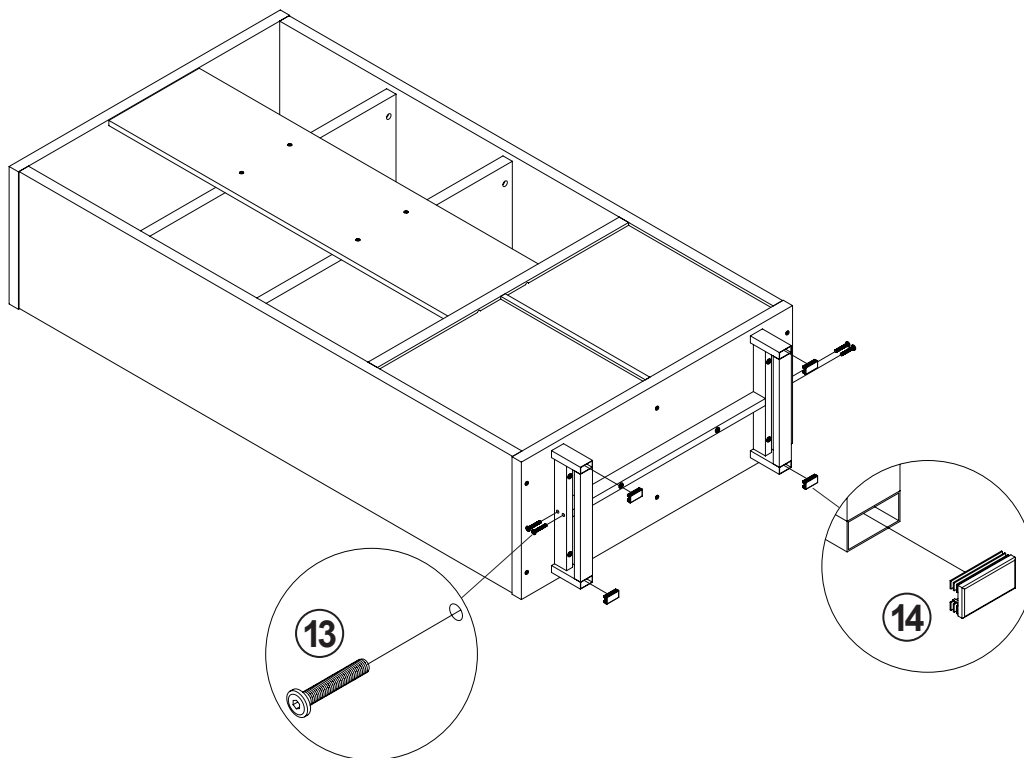


ITEM: 801863

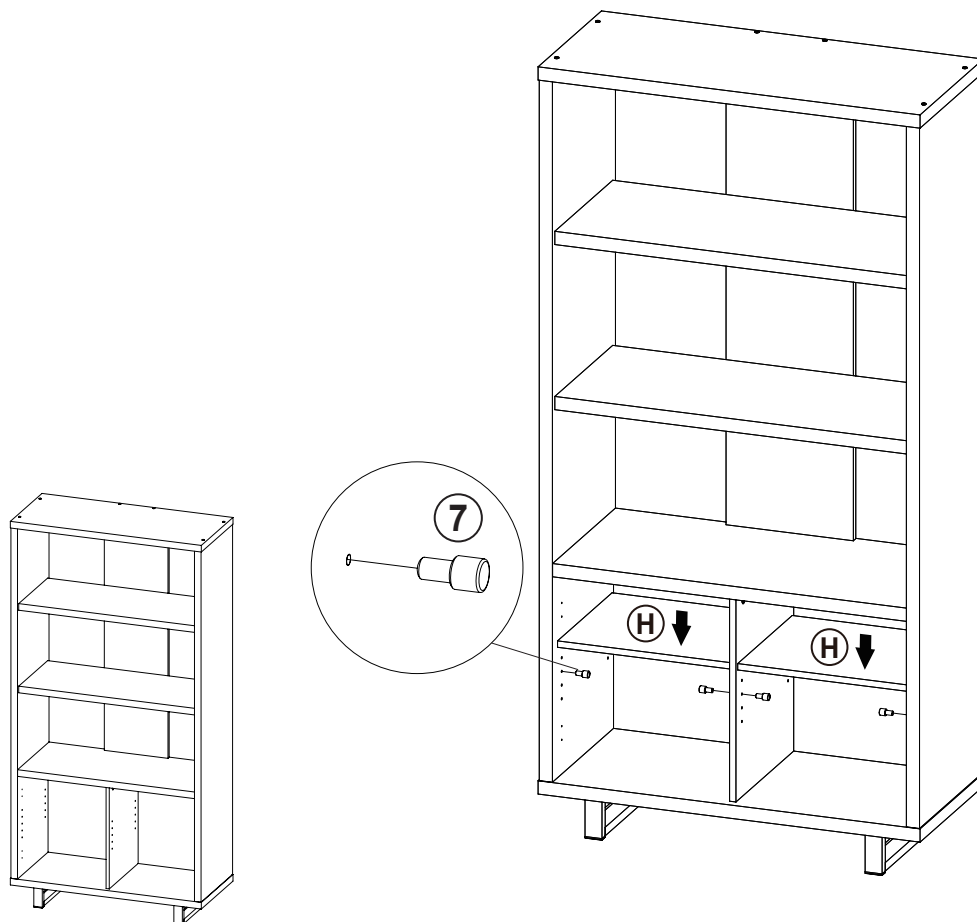
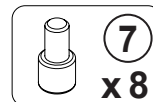
COASTER[®]

FINE FURNITURE

STEP 11



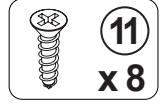
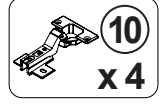
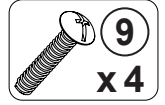
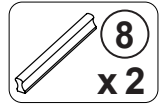
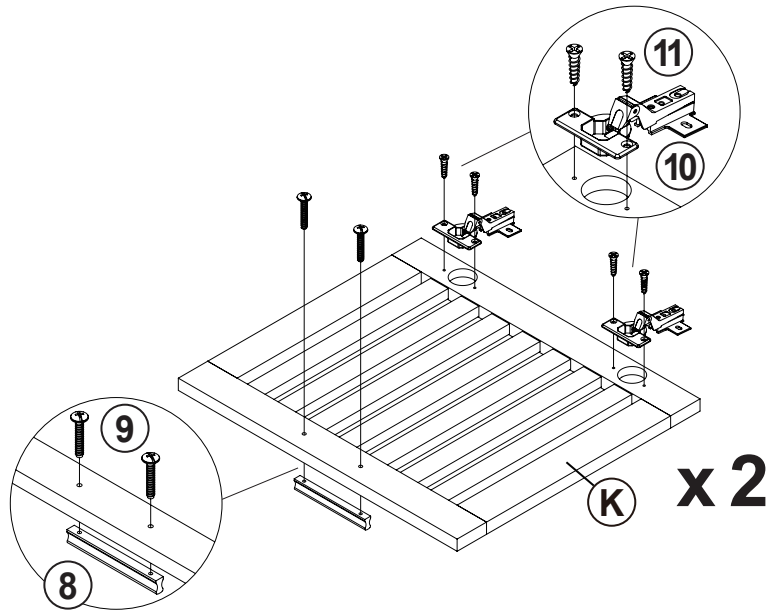
STEP 12



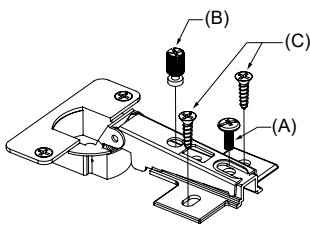
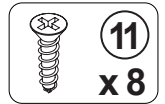
ITEM: **801863**

COASTER
FINE FURNITURE

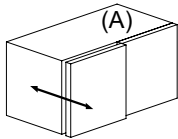
STEP 13



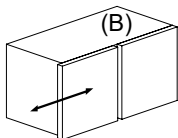
STEP 14



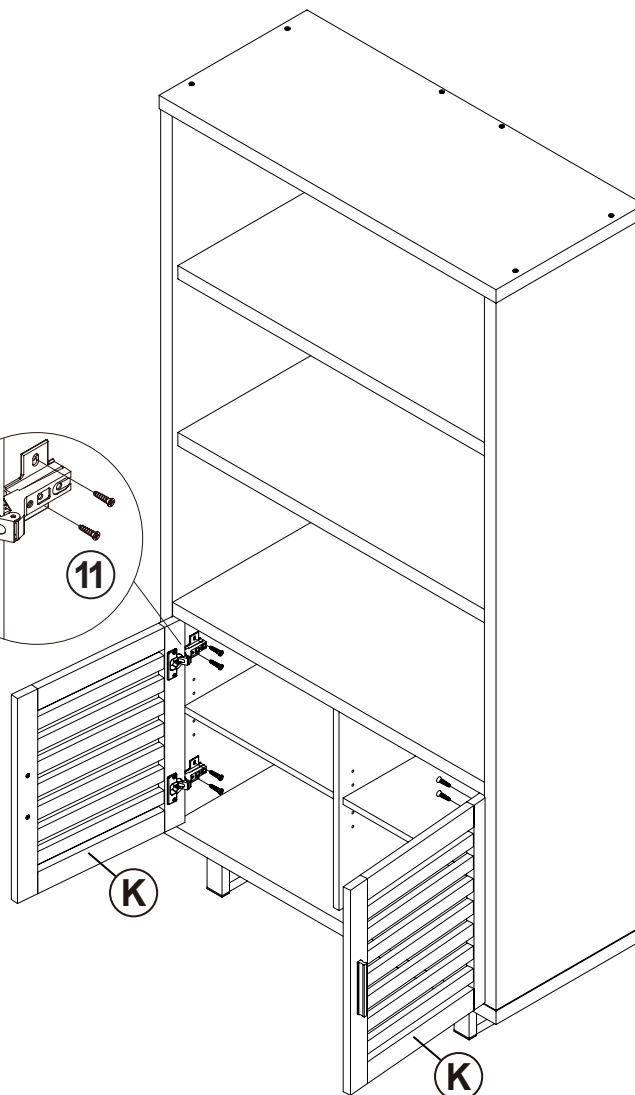
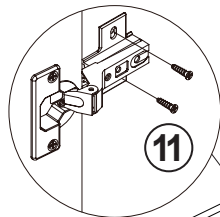
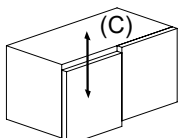
HORIZONTAL BY
SCREW A ADJUSTMENT



LATERAL BY
SCREW B ADJUSTMENT



VERTICAL BY
SCREW C ADJUSTMENT

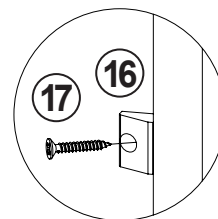
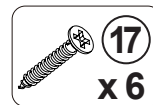
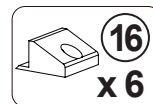
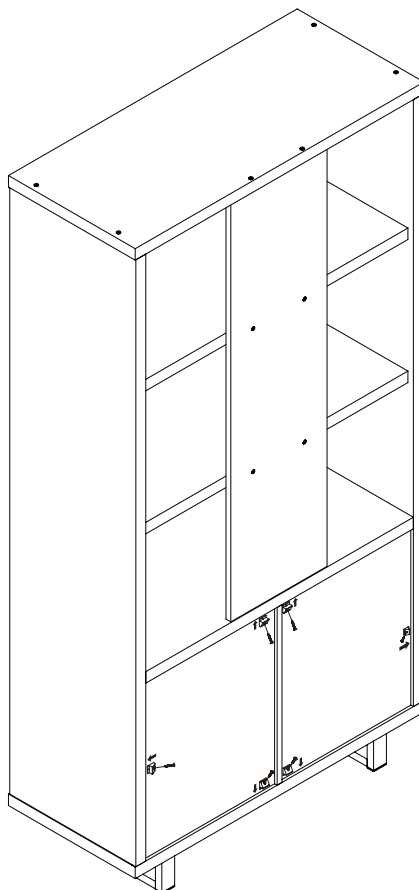
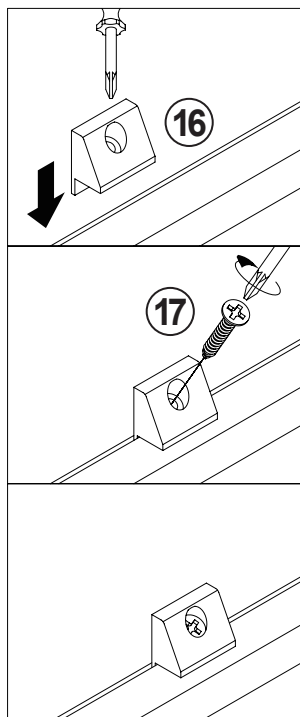


ITEM: **801863**

COASTER[®]

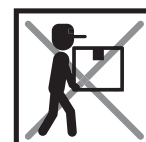
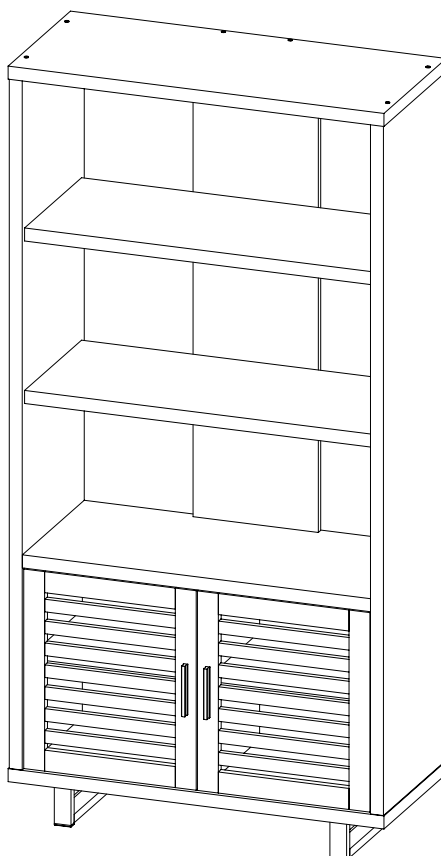
FINE FURNITURE

STEP 15

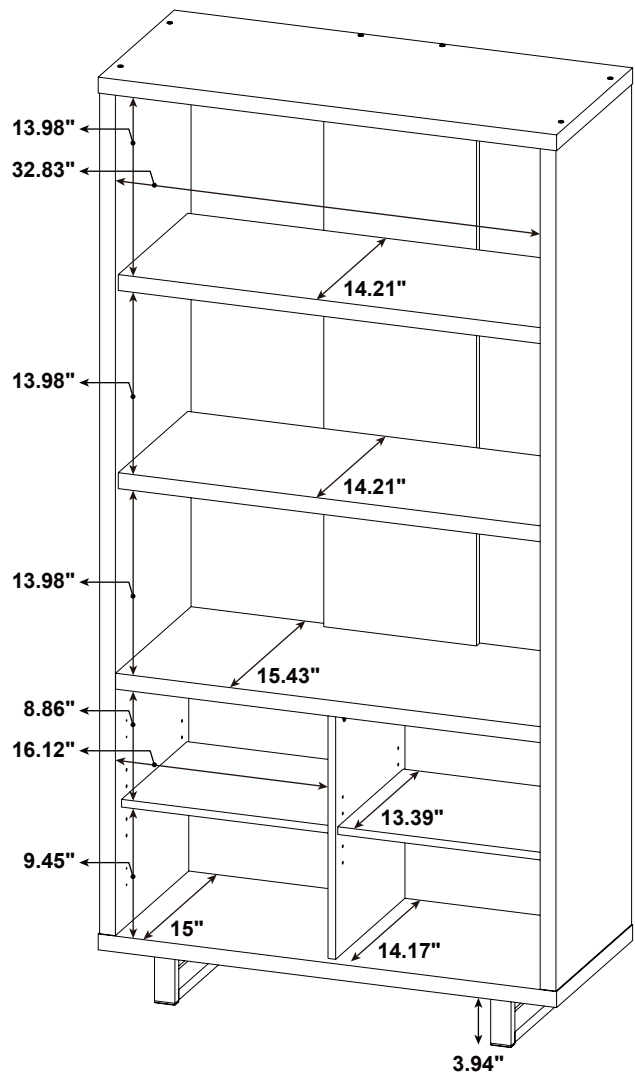
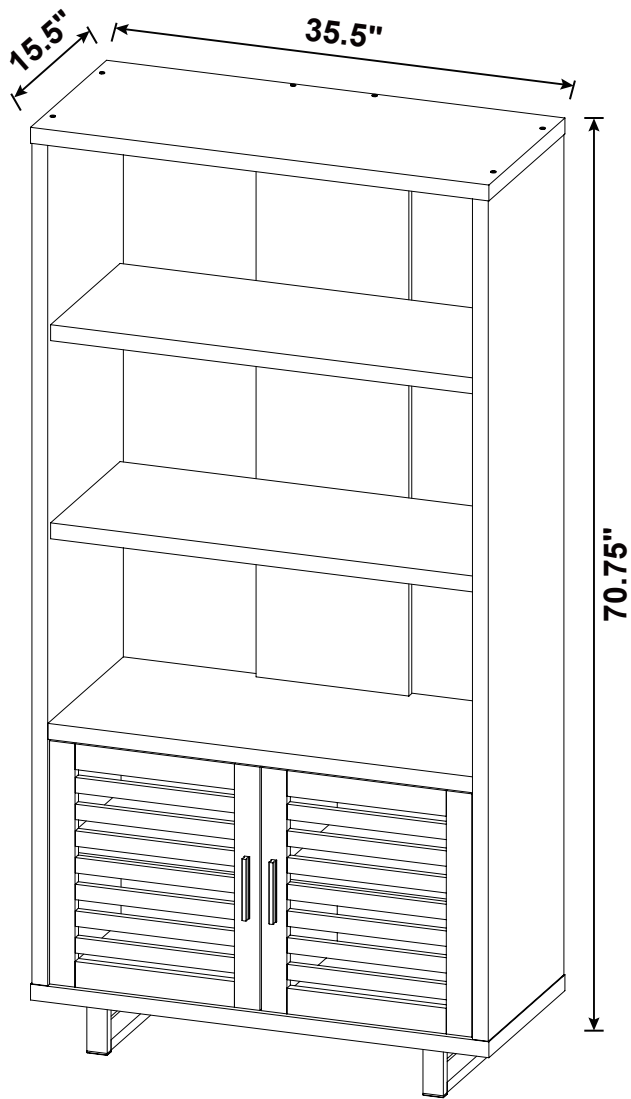


STEP 16

COMPLETE



ITEM: 801863



Note : Dimension tolerance $\pm 5\%$

ANTI-TIPPING INSTALLMENT INSTRUCTIONS FURNITURE TIPPING RESTRAINT

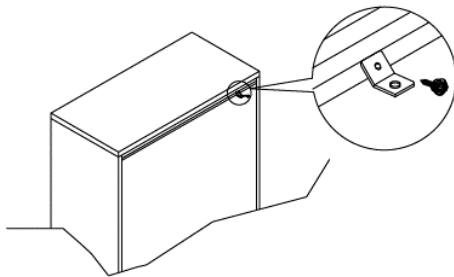
WARNING

Injury may result from tipping furniture.
This restraint may protect against tipping furniture.
Do not allow children to climb on furniture.
This restraint is not a substitute for proper adult supervision.
Failure to detach this restraint before moving the furniture may result in injury and damage.

This restraint must be screwed to a wood stud on the wall, using the long screw provided.

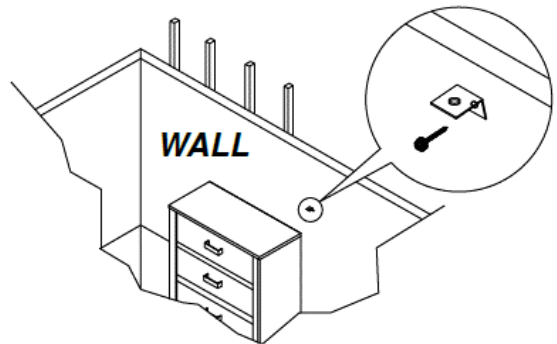
STEP 1

Secure the bracket to the back top of the unit, using the short screw provided, as shown in the drawing.



STEP 2

Locate the wood stud on the wall, and secure the other bracket, 2 inches below the back of the unit.



STEP 3

Place the furniture into position so both mounting brackets are vertically in line. Lace the end of the restraint strap through the larger hole in each mounting bracket. Bring both ends together and slide the flat end through the locking end, and drag it through, until the slack is removed. Ensure that the strap is securely laced and locked.

