

ASSEMBLY INSTRUCTIONS
COASTER FINE FURNITURE



Fine Furniture for every stage of life

951072
CURIO CABINET

REVISION 0 : 06/13/2018
REVISION 1 : 06/12/2024

ITEM:951072



ASSEMBLY INSTRUCTIONS

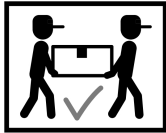
ASSEMBLY TIPS:

1. Remove hardware from box and sort by size.
2. Please check to see that all hardware and parts are present prior to start of assembly.
3. Please follow attached instructions in the same sequence as numbered to assure fast & easy assembly.



WARNING!

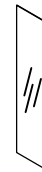
1. Don't attempt to repair or modify parts that are broken or defective. Please contact the store immediately.
2. This product is for home use only and not intended for commercial establishments.



ASSEMBLY TIME 50 MINUTES

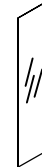
PARTS IDENTIFICATION

A DOOR GLASS



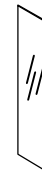
1PC

B SIDE GLASS



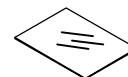
2PCS

C BACK GLASS



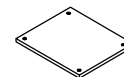
1PC

D SHELF GLASS



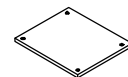
3PCS

E TOP PANEL



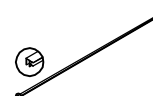
1PC

F BOTTOM PANEL



1PC

G PLASTIC BAR



2PCS

ITEM:951072

ASSEMBLY INSTRUCTIONS

PARTS IDENTIFICATION








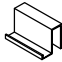





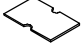


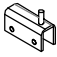

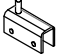
H

CROSSBAR

4PCS



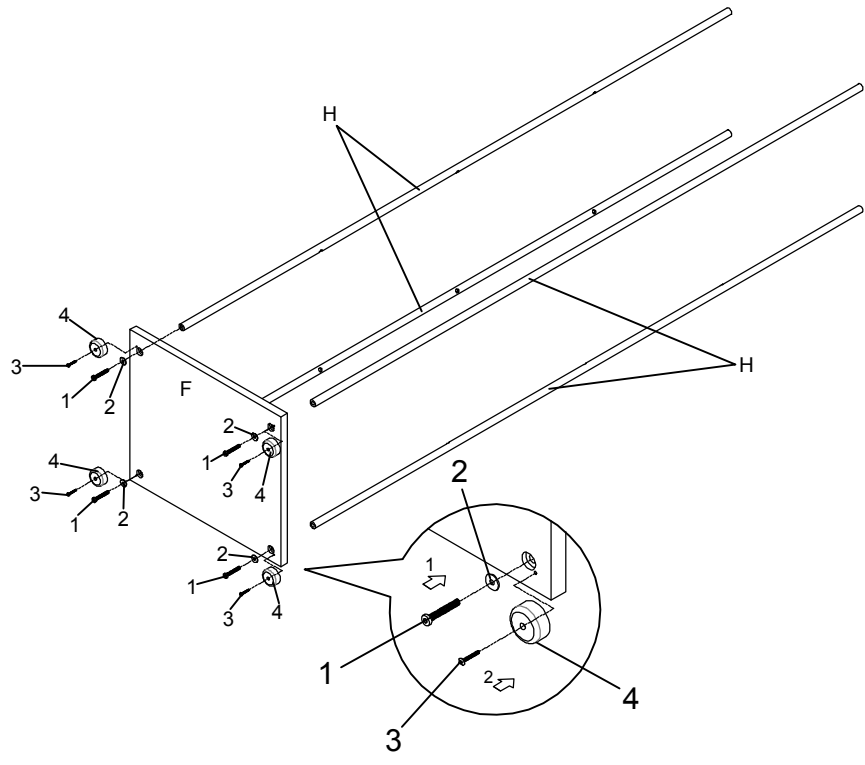
HARDWARE IDENTIFICATION

1	LONG BOLT (1/4" x 1-3/4" SR)		8PCS	10	SHORT BOLT (ϕ 7 x 6mm SR)		4PCS
2	WASHER (1/4" x ϕ 16mm SR)		8PCS	11	MAGNET (19mm BLK)		2PCS
3	SCREW (7# x 22mm SR)		4PCS	12	HANDLE (40mm)		1PC
4	PLASTIC FEET (ϕ 44 x 18mm SR)		4PCS	13	METAL CONTACT (40mm)		1PC
5	MEDIUM BOLT (ϕ 8 x 30mm SR)		12PCS	14	METAL WITH ADEHSIVE (38mm)		2PCS
6	SUCTION CUP (ϕ 20 x 28mm)		12PCS	15	ADHESIVE (38 x 42mm)		2PCS
7	HINGE INSERT (ϕ 12 x 9mm BLK)		2PCS	16	STICKER (ϕ 20mm)		4PCS
8	TOP METAL CONTACT (40mm)		1PC	17	ALLEN WRENCH (4mm)		1PC
9	BOTTOM METAL CONTACT (40mm)		1PC				

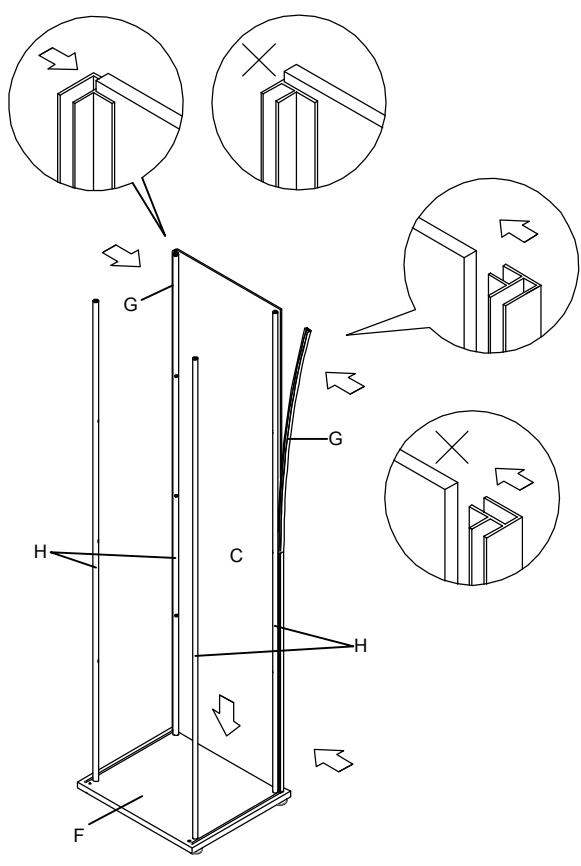
ITEM: 951072 ASSEMBLY INSTRUCTIONS



STEP 1



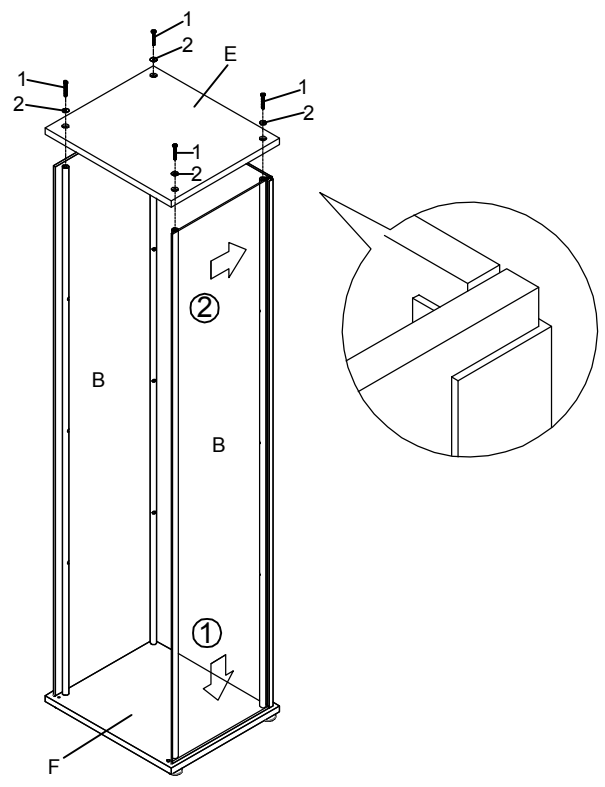
STEP 2



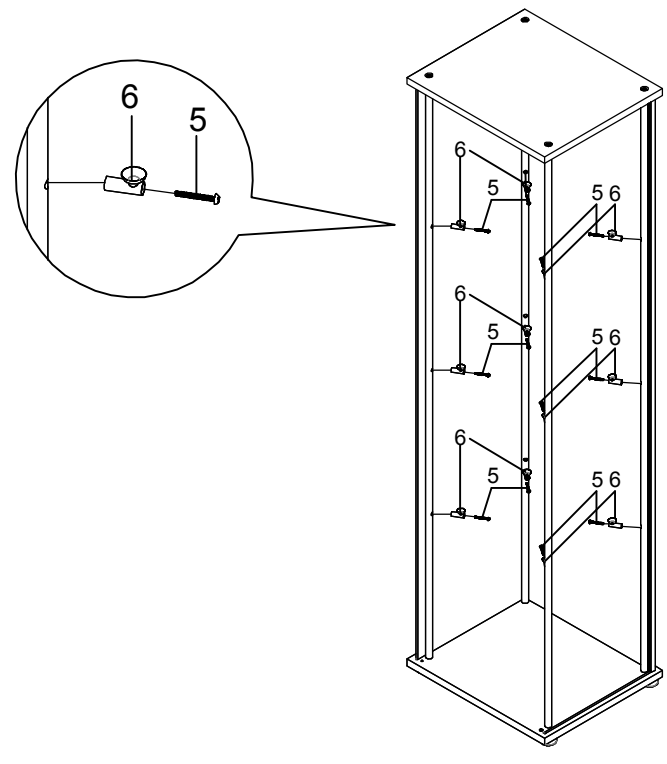
ITEM: 951072 ASSEMBLY INSTRUCTIONS



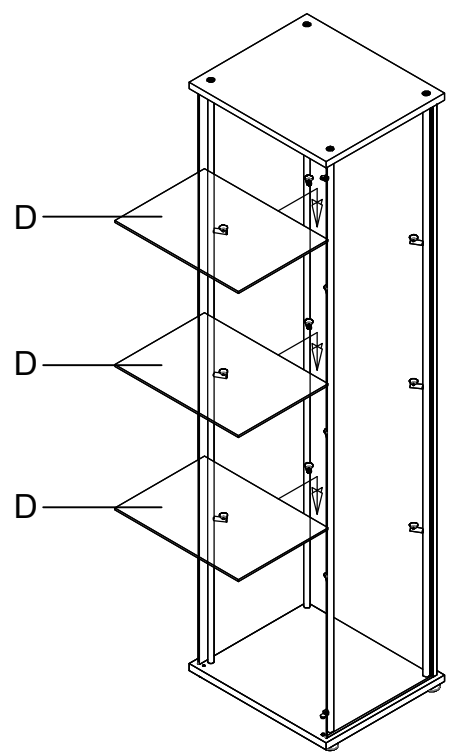
STEP 3



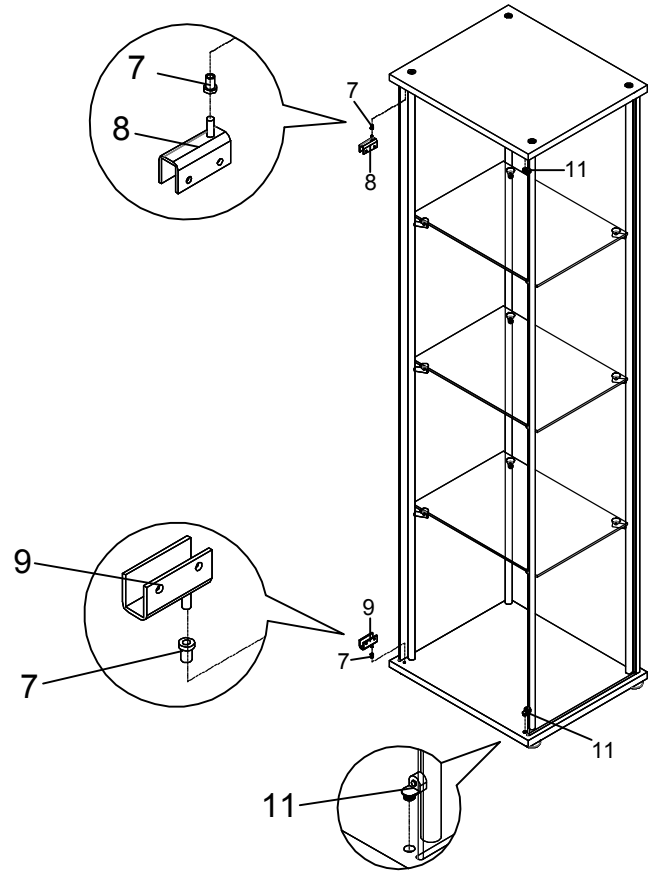
STEP 4



ITEM: 951072
ASSEMBLY INSTRUCTIONS
STEP 5



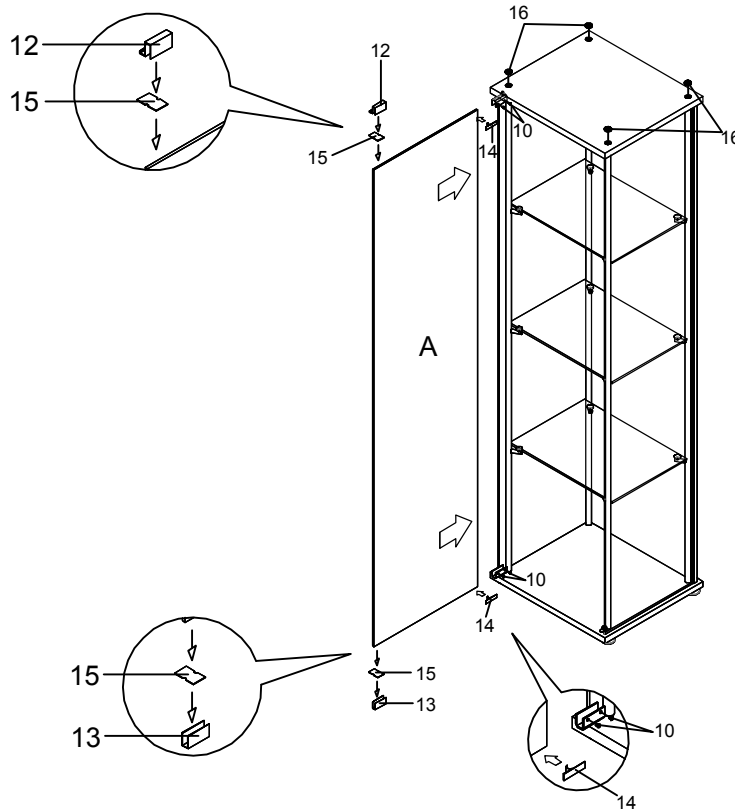
STEP 6



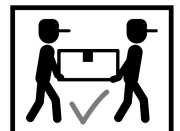
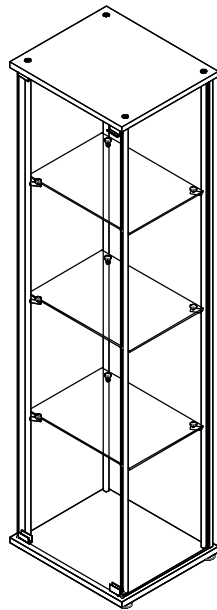
ITEM: 951072 ASSEMBLY INSTRUCTIONS



STEP 7



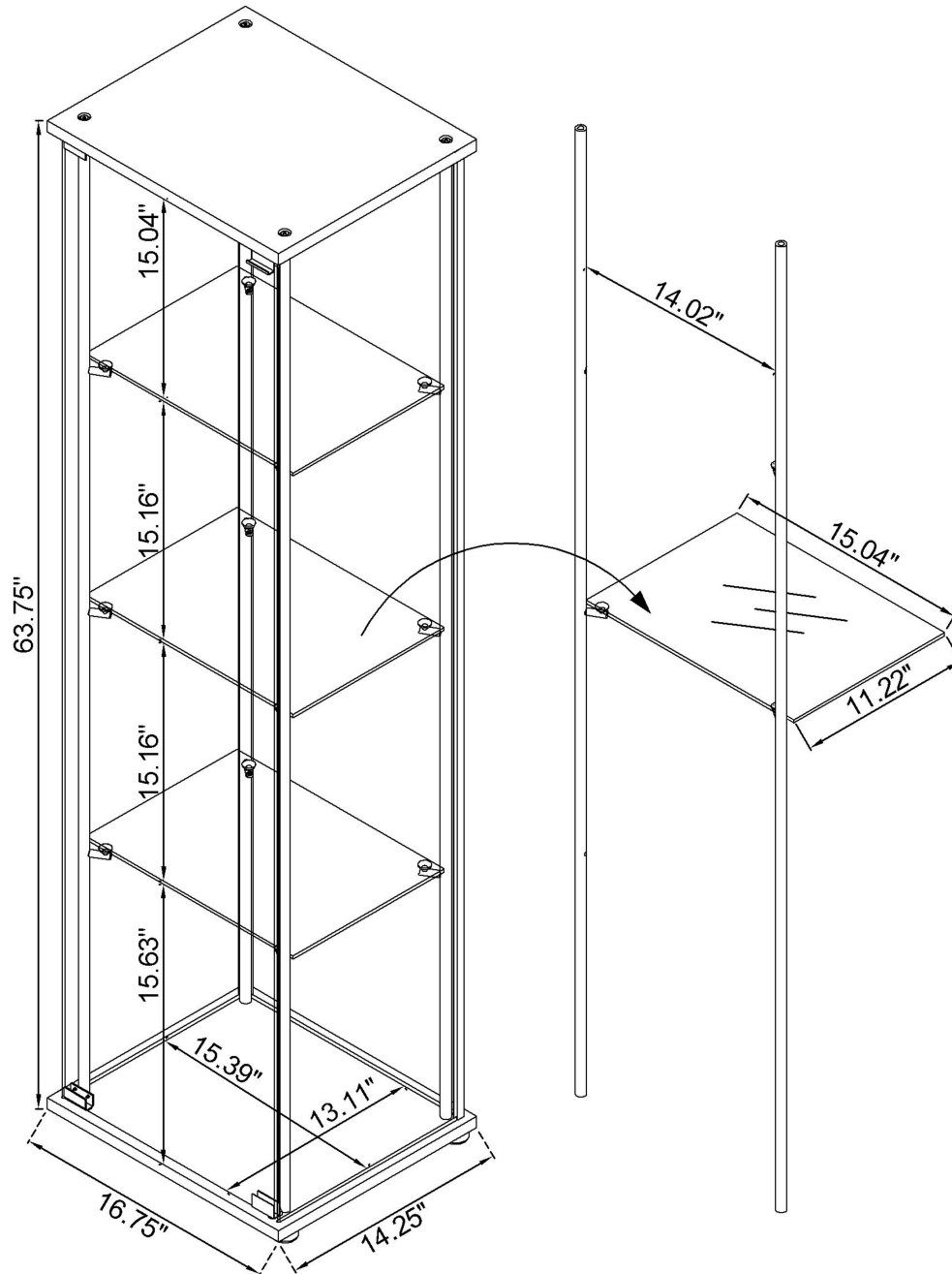
STEP 8 COMPLETE



ITEM:951072 ASSEMBLY INSTRUCTIONS



Product Size : 425 X 362 X 1620 H (MM)
Product Size : 16.75" X 14.25" X 63.75"



Note : Dimension tolerance $\pm 5\%$

ITEM: **951072**



ANTI-TIPPING INSTALLMENT INSTRUCTIONS

FURNITURE TIPPING RESTRAINT

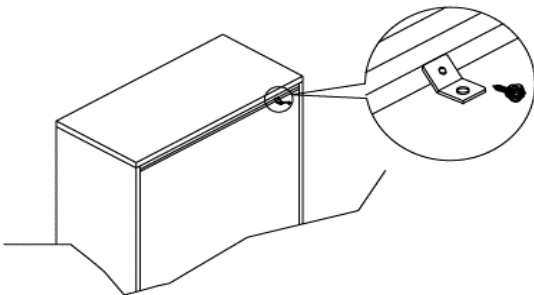
WARNING

Injury may result from tipping furniture.
This restraint may protect against tipping furniture.
Do not allow children to climb on furniture.
This restraint is not a substitute for proper adult supervision.
Failure to detach this restraint before moving the furniture may result in injury and damage.

This tip restraint must be attached to a wall stud using long screw enclosed.

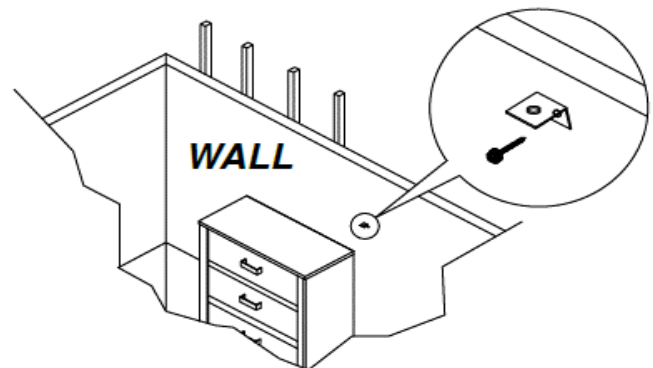
STEP 1

Attach a bracket securely to the back top rail of the furniture using short screw provided, through the smaller hole.



STEP 2

Locate the other bracket on the wall over a plastic wall stud and two inches below the mounting bracket secured to the back of the furniture. Attach the wall stud using the long screw provided, through the smaller hole.



STEP 3

Place the furniture into position so both mounting brackets are vertically in line. Lace the end of the restraint strap through the larger hole in each mounting bracket. Bring both ends together and slide the flat end through the locking end and draw it through until all slack is removed. Confirm that the strap is securely laced and locked.

