

ASSEMBLY INSTRUCTIONS
COASTER FINE FURNITURE



Fine Furniture for every stage of life

801861
L-SHAPE DESK

ITEM: 801861

ASSEMBLY INSTRUCTIONS

ASSEMBLY TIPS:

1. Remove hardware from box and sort by size.
2. Please check to see that all hardware and parts are present prior to start of assembly.
3. Please follow attached instructions in the same sequence as numbered to assure fast & easy assembly.



WARNING!

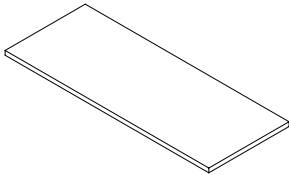
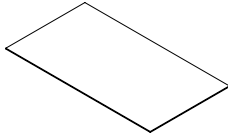
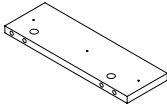
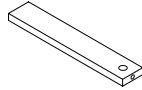
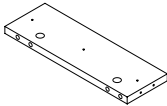
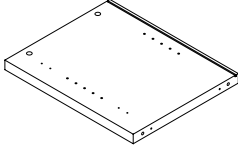
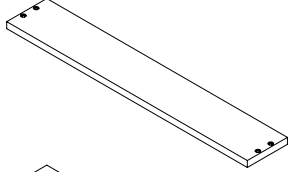
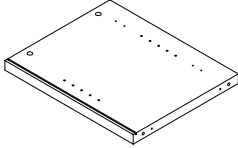
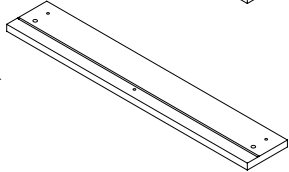
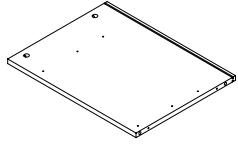
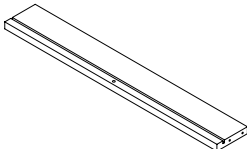
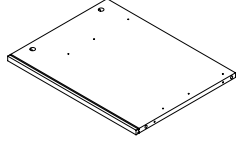
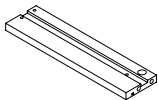
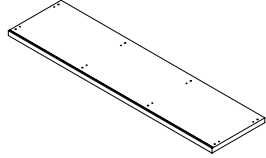
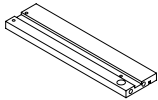
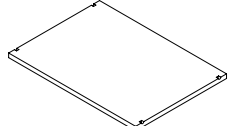
1. Don't attempt to repair or modify parts that are broken or defective. Please contact the store immediately.
2. This product is for home use only and not intended for commercial establishments.



ASSEMBLY TIME

60 MINUTES

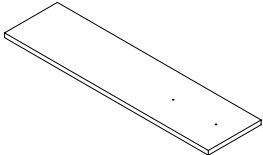
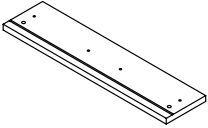
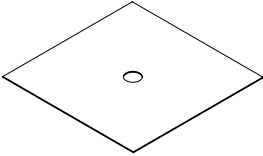
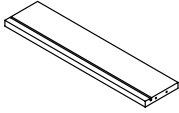
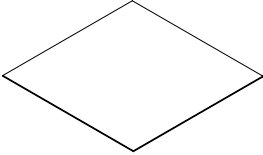
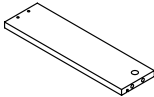
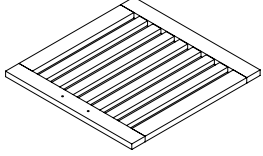
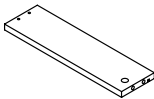
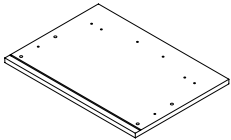
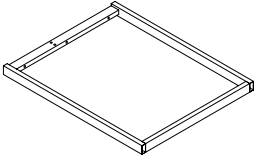
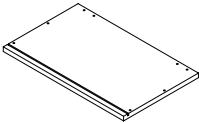
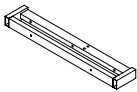
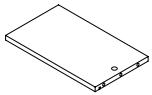
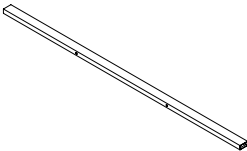
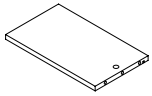
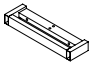
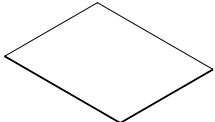
PARTS IDENTIFICATION

A	TOP		1 PC	I	DESK DRAWER BOTTOM PANEL		1 PC
B	SMALL LEFT DIVIDER PANEL		1 PC	J	DESK DRAWER BOTTOM SUPPORT		1 PC
C	SMALL RIGHT DIVIDER PANEL		1 PC	K	LEFT SIDE PANEL		1 PC
D	BACK CROSS BRACE		1 PC	L	RIGHT SIDE PANEL		1 PC
E	DESK DRAWER FRONT PANEL		1 PC	M	LEFT DIVIDER PANEL		1 PC
F	DESK DRAWER BACK PANEL		1 PC	N	RIGHT DIVIDER PANEL		1 PC
G	DESK DRAWER LEFT SIDE PANEL		1 PC	O	BOTTOM PANEL		1 PC
H	DESK DRAWER RIGHT SIDE PANEL		1 PC	P	ADJUSTABLE SHELF		2 PCS

NOTE:

Phillips head screw driver is required in the assembly process; however, manufacturer does not provide this item.

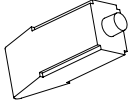

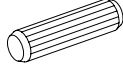
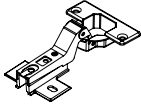
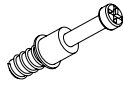
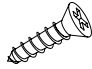


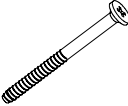
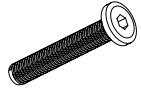
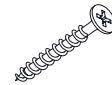
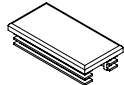


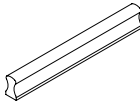
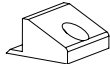


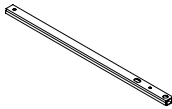
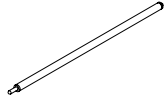

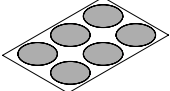

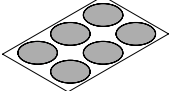

ITEM: 801861

Q	TOP PANEL		1 PC	A4	TOP DRAWER FRONT PANEL		1 PC
R	BACK PANEL		2 PCS	A5	TOP DRAWER BACK PANEL		1 PC
S	MIDDLE BACK PANEL		1 PC	A6	TOP DRAWER LEFT SIDE PANEL		1 PC
T	DOOR		2 PCS	A7	TOP DRAWER RIGHT SIDE PANEL		1 PC
U	FILE DRAWER FRONT PANEL		1 PC	A8	METAL FRAME		1 PC
V	FILE DRAWER BACK PANEL		1 PC	A9	SUPPORT FRAME		1 PC
A1	FILE DRAWER LEFT SIDE PANEL		1 PC	B1	CROSSBAR		2 PCS
A2	FILE DRAWER RIGHT SIDE PANEL		1 PC	B2	LEG FRAME		2 PCS
A3	DRAWER BOTTOM PANEL		2 PCS				

NOTE:

Phillips head screw driver is required in the assembly process; however, manufacturer does not provide this item.

HARDWARE IDENTIFICATION

Z							
NO	DESCRIPTION	FIGURE	Q'TY	NO	DESCRIPTION	FIGURE	Q'TY
1	GLUE 40g		1 PC	14	SCREW FOR HINGE Ø 3x12mm BLK		24 PCS
2	WOODEN DOWEL Ø8x30mm		28 PCS	15	HINGE Ø 35mm SR		4 PCS
3	CAM BOLT Ø7x35.5mm SR		19 PCS	16	HINGE SCREW Ø 4x15mm SR		16 PCS
4	CAM LOCK Ø15x12mm SR		19 PCS	17	BOLT M6x62mm BLK		14 PCS
5	BOLT Ø9.5x55mm SR		8 PCS	18	BOLT M6x43mm BLK		10 PCS
6	SCREW Ø4.3x35mm SR		17 PCS	19	FLOOR PROTECTOR 40x20mm		6 PCS
7	PIN FOR ADJUSTABLE SHELF Ø4.9x15mm SR		8 PCS	20	ALLEN WRENCH 4mm SR		1 PC
8	HANDLE L= 120mm BLK		4 PCS	21	FIXER		6 PCS
9	HANDLE BOLT BLK		8 PCS	22	FIXER SCREW Ø 3x19mm SR		6 PCS
10	RAIL L=300mm BLK		2 PCS	23	IRON BAR Ø9.5x328mm SR		2 PCS
11	RAIL SCREW Ø3.5x15mm BLK		6 PCS	24	STICKER Ø20mm		3 PCS
12	RAIL BOLT M4x15mm BLK		2 PCS	25	STICKER-BLACK Ø20mm		2 PCS
13	GLIDES L = 350mm BLK		2 SET				

Z8, Z9, Z10, Z13, Z15, Z23 not included in blister packaging.

NOTE:

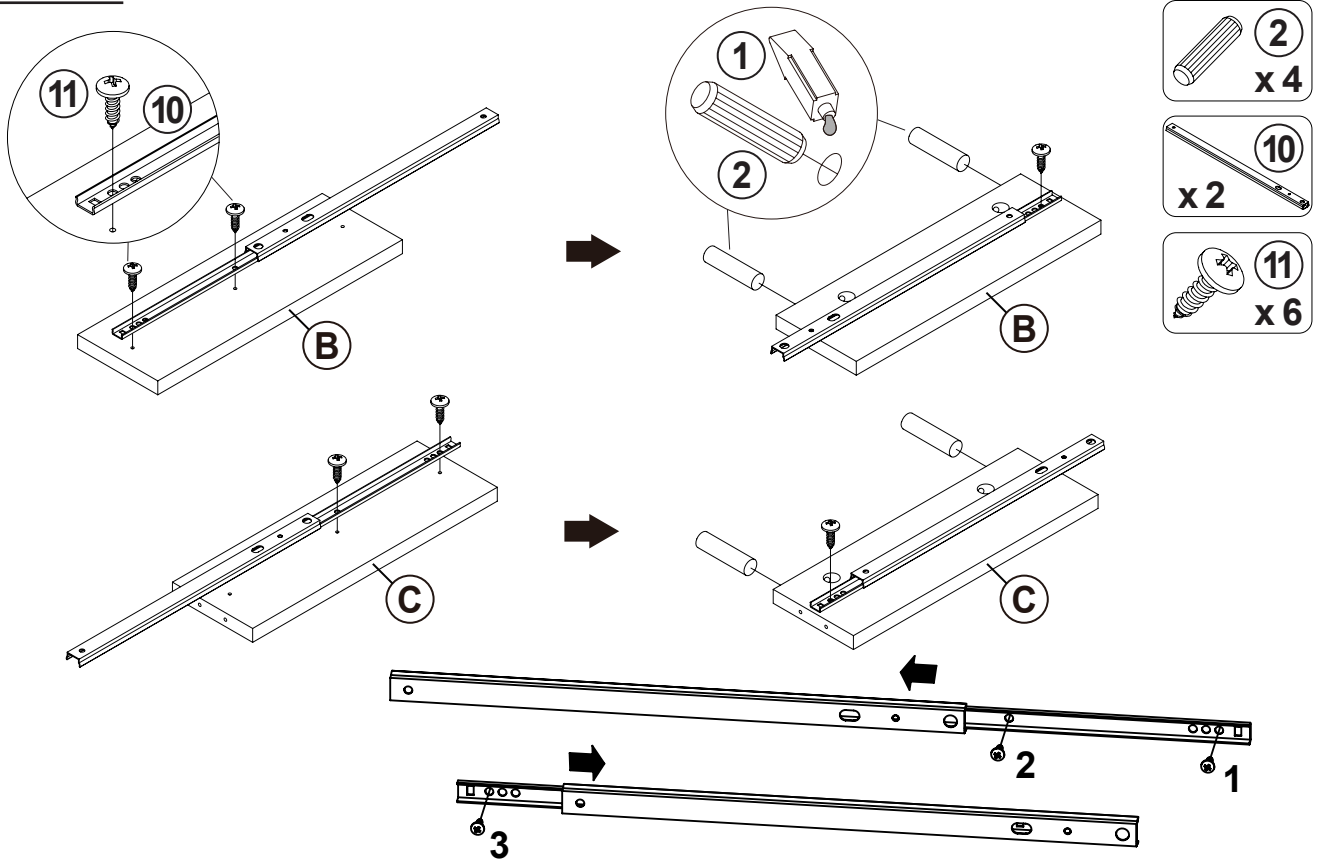
Phillips head screw driver is required in the assembly process; however, manufacturer does not provide this item.

ITEM: 801861

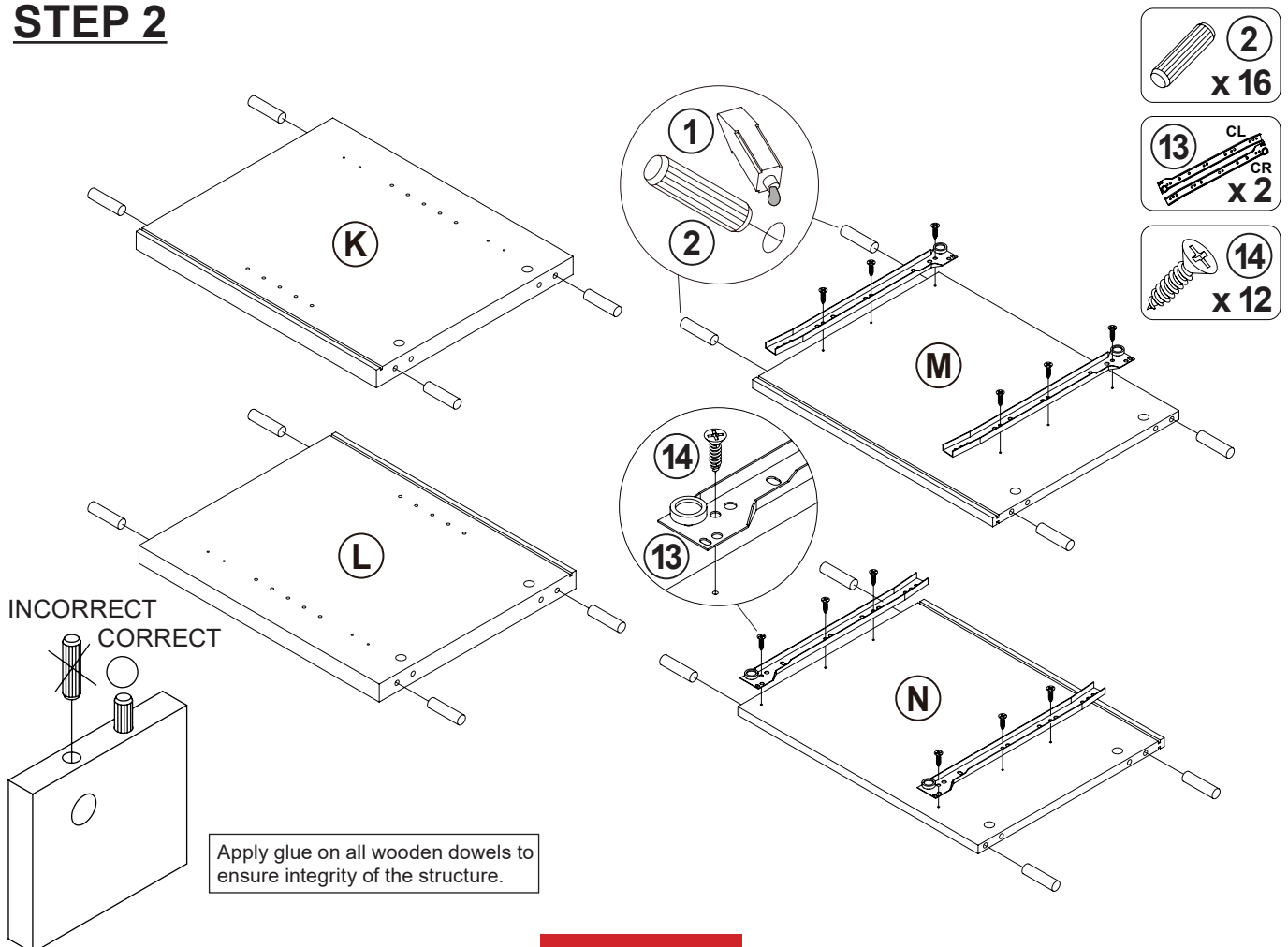
COASTER[®]

FINE FURNITURE

STEP 1

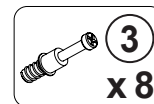
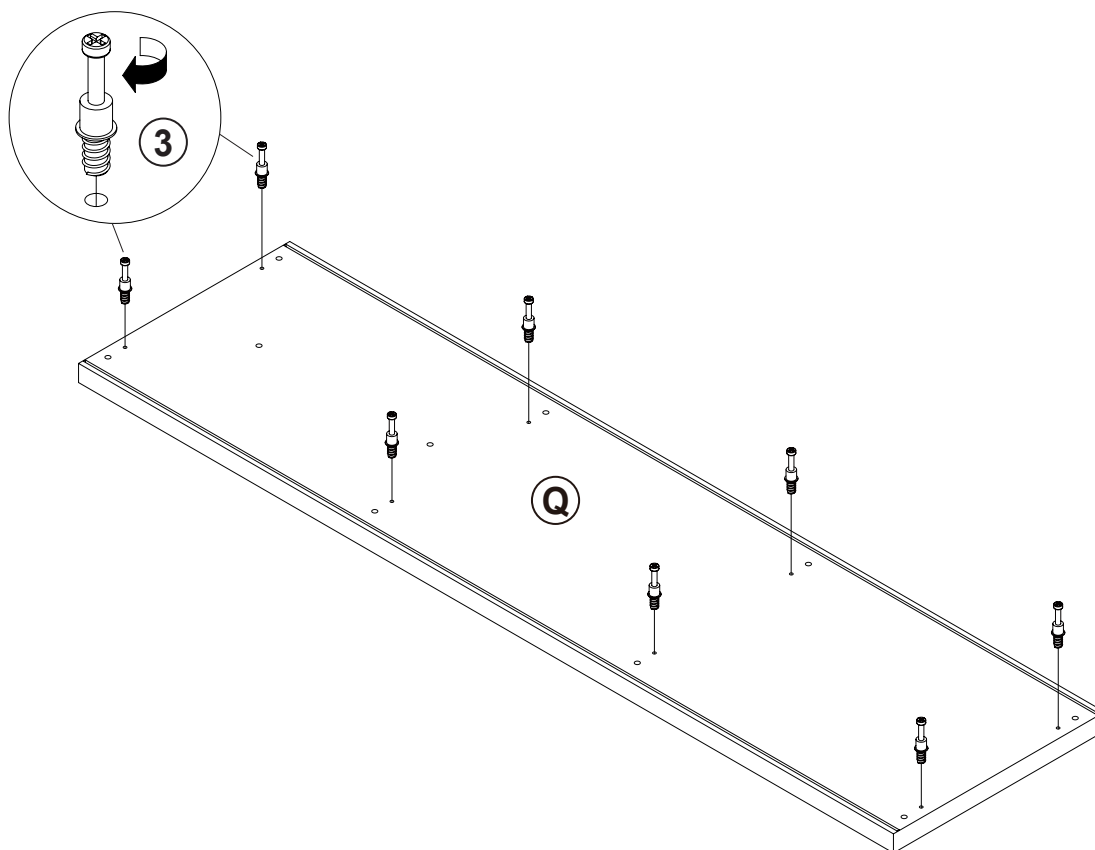


STEP 2

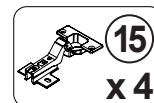
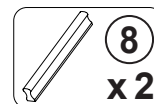
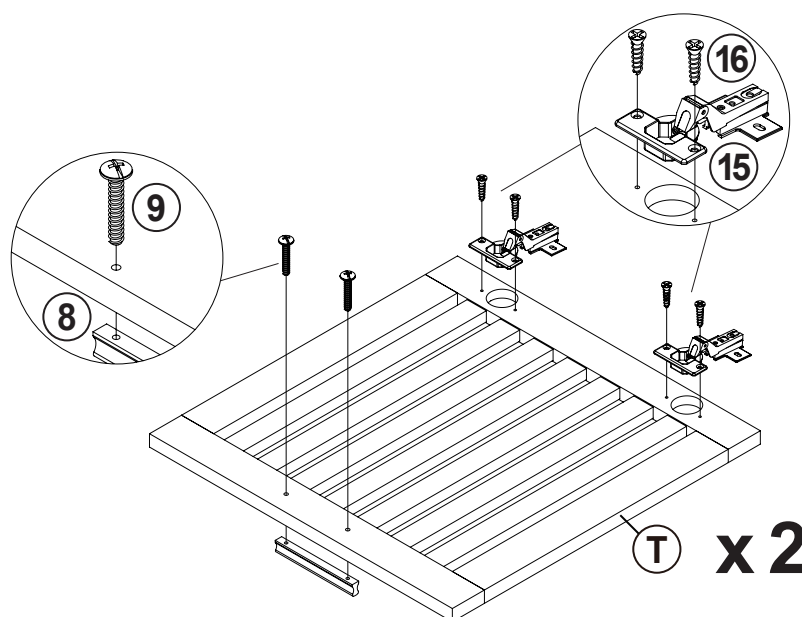


ITEM: 801861

STEP 3



STEP 4

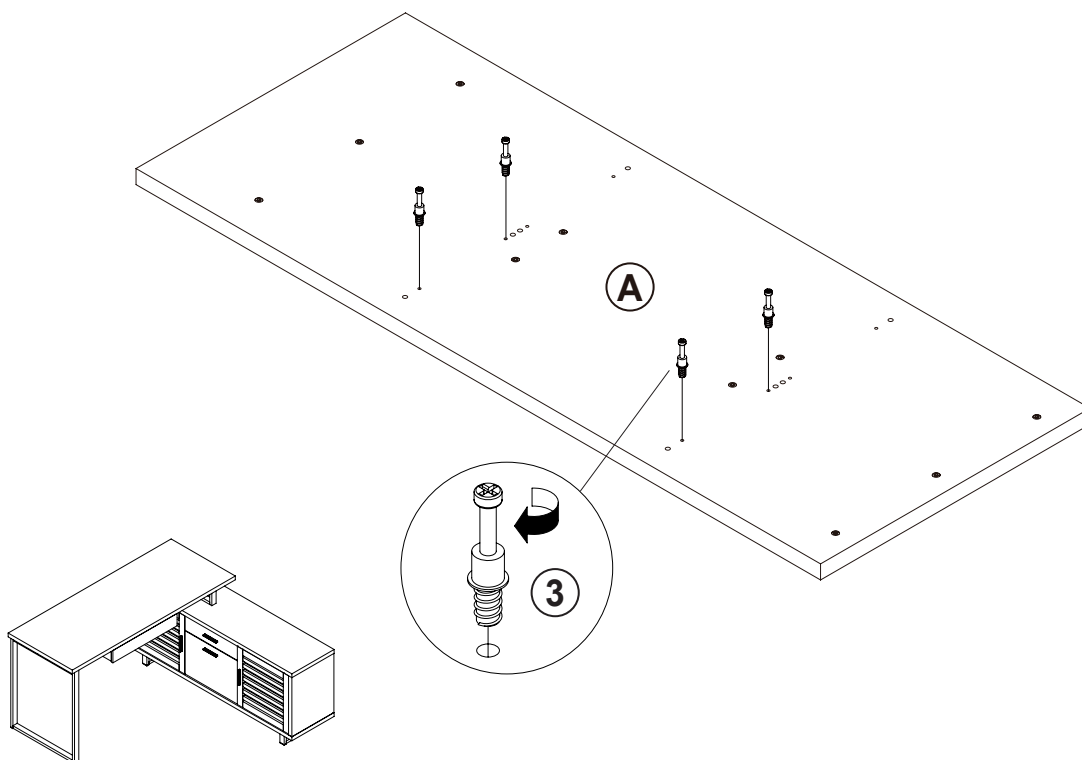
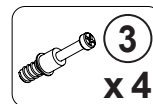


ITEM: 801861

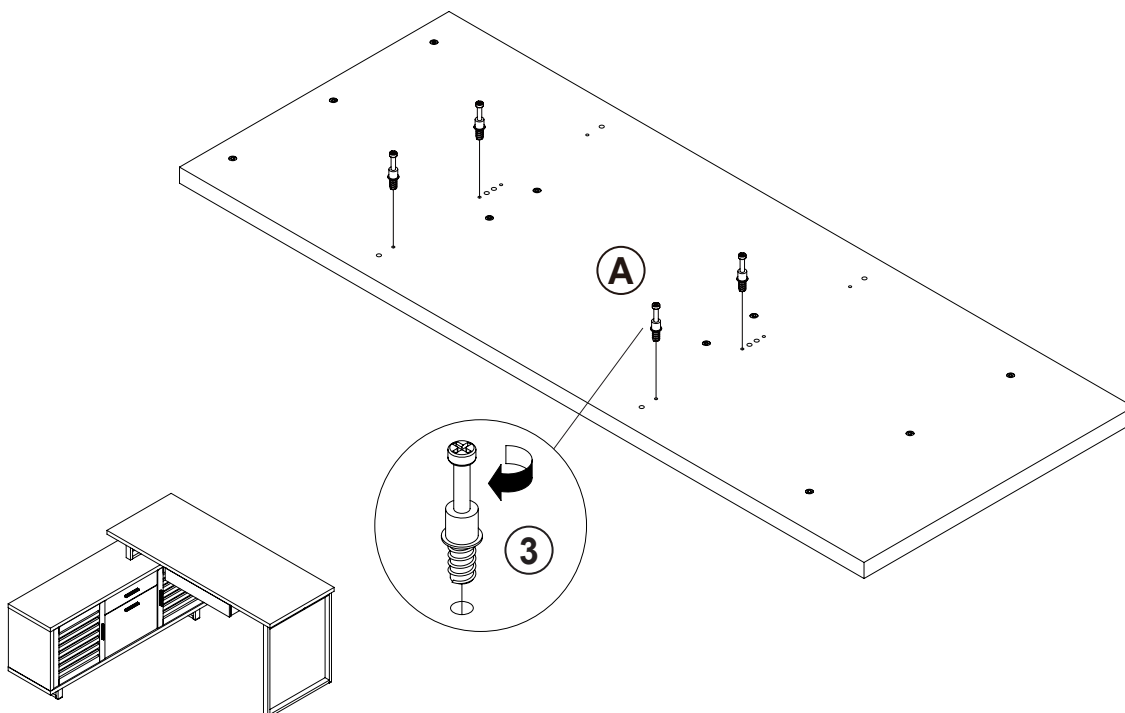
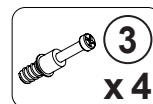
COASTER
FINE FURNITURE

STEP 5

LEFT



RIGHT

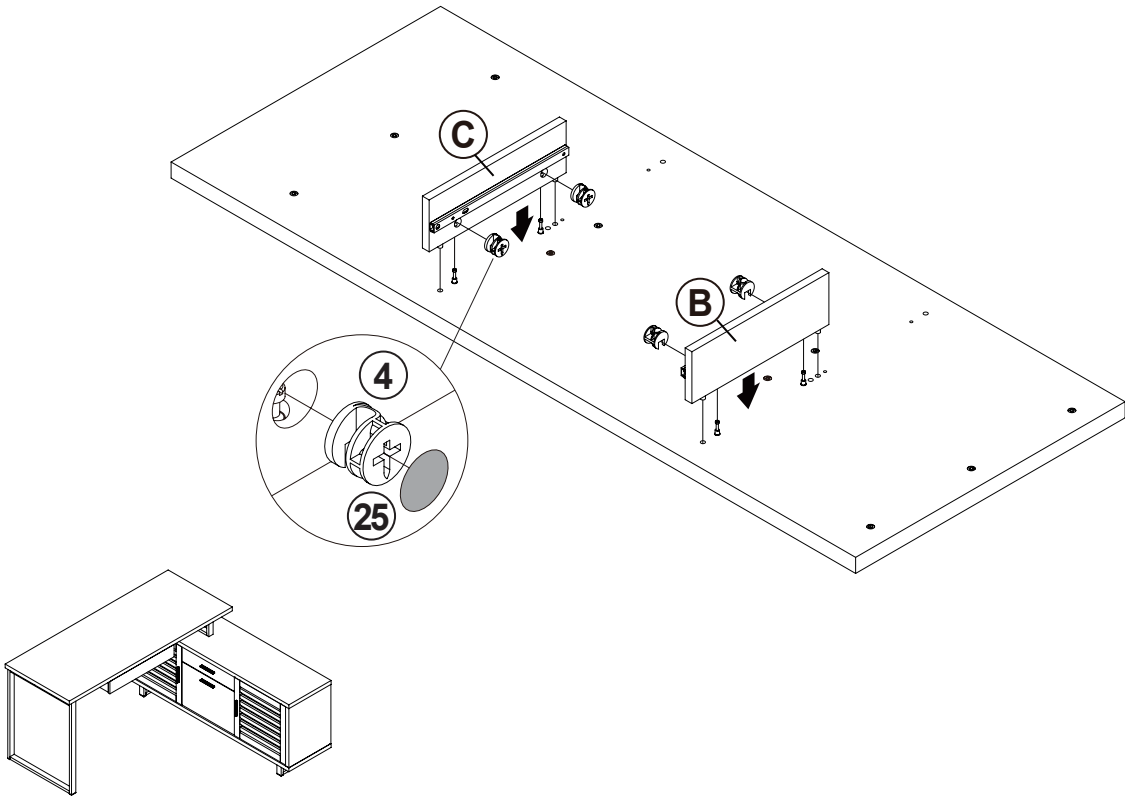
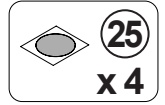
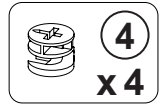


ITEM: 801861

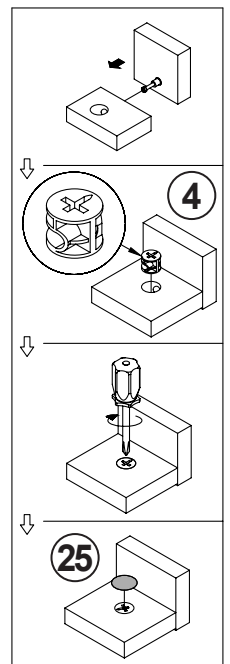
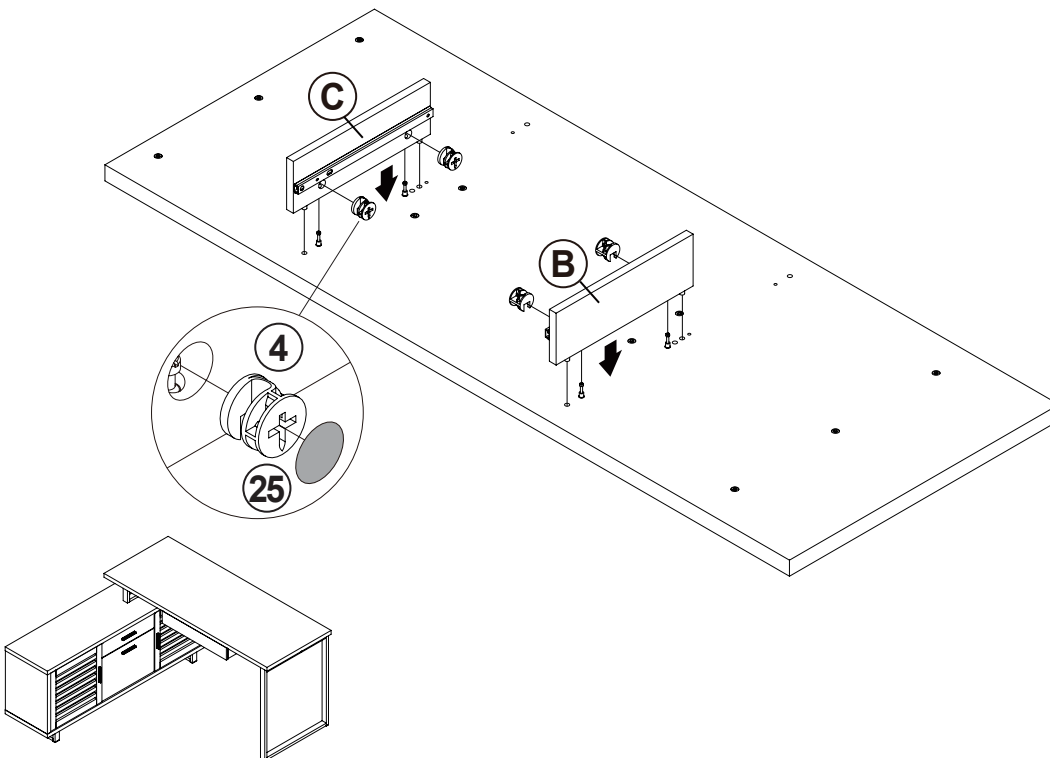
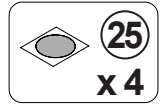
COASTER
FINE FURNITURE

STEP 6

LEFT



RIGHT



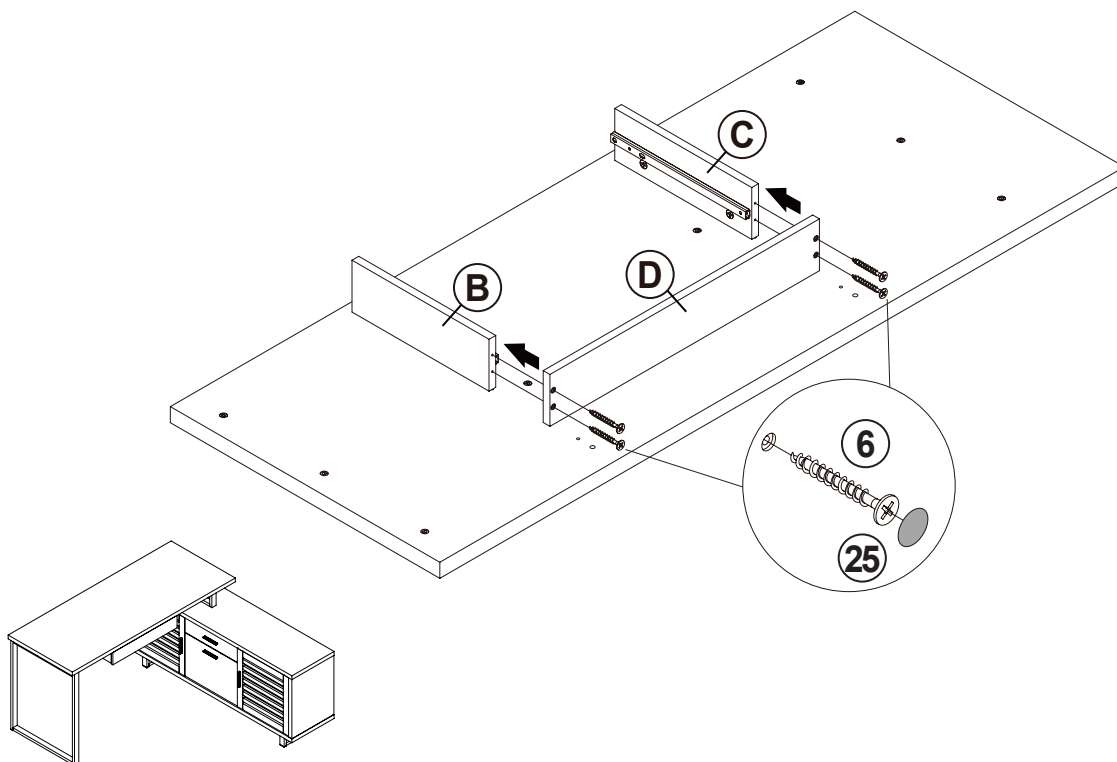
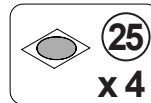
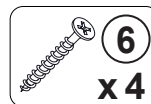
ITEM: 801861

COASTER[®]

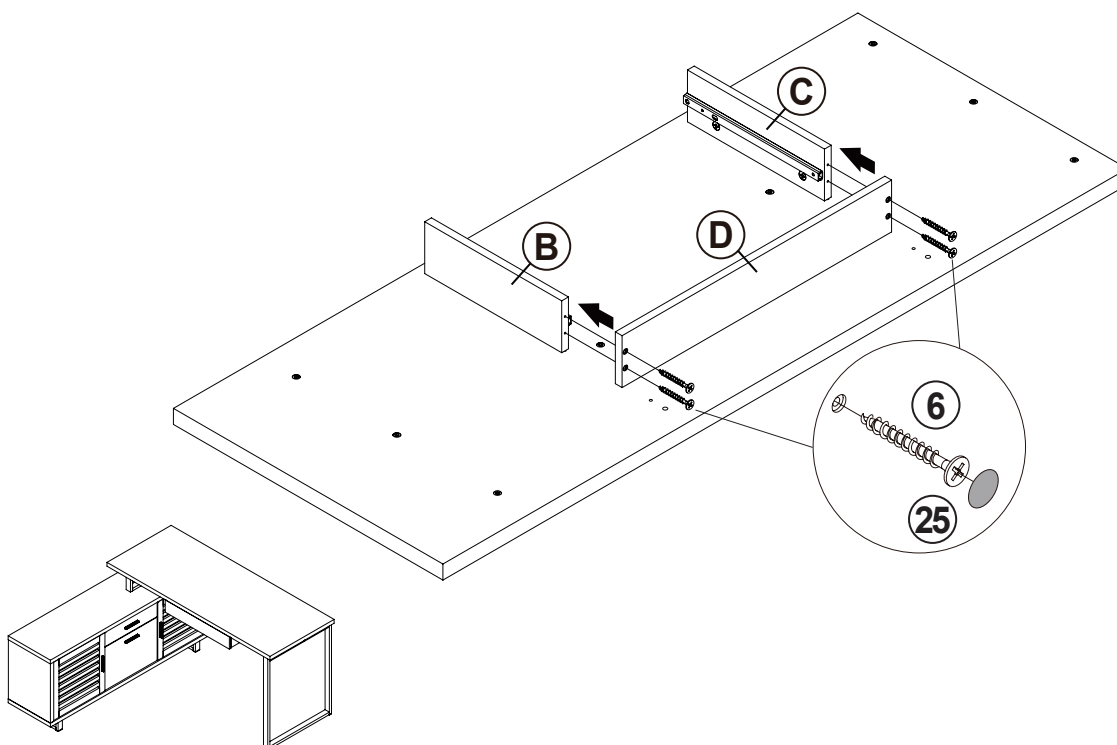
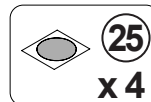
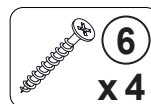
FINE FURNITURE

STEP 7

LEFT



RIGHT

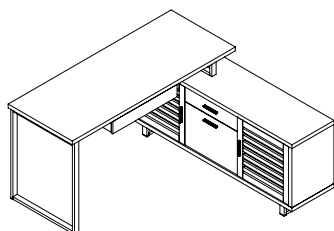
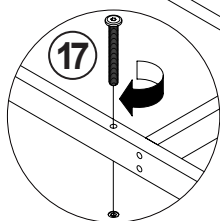
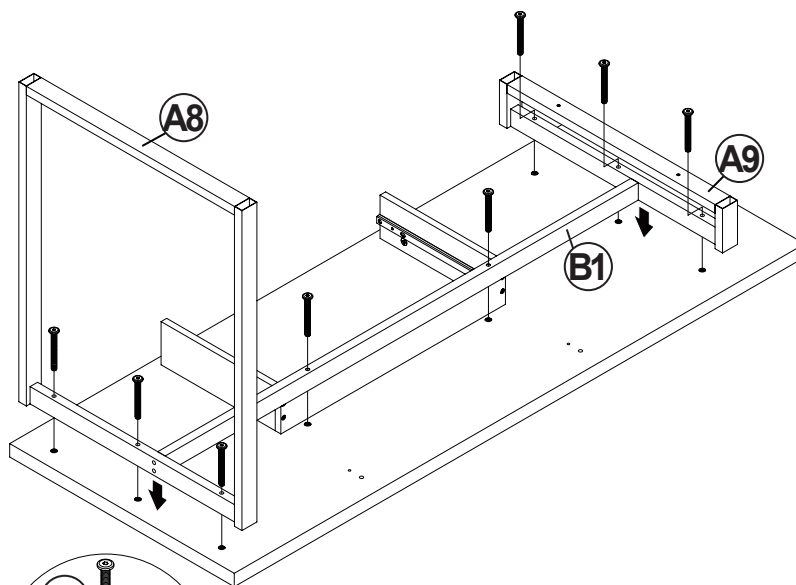
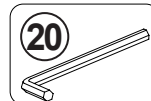


ITEM: 801861

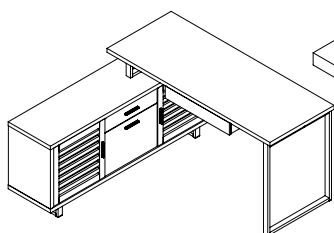
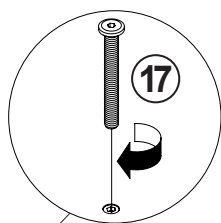
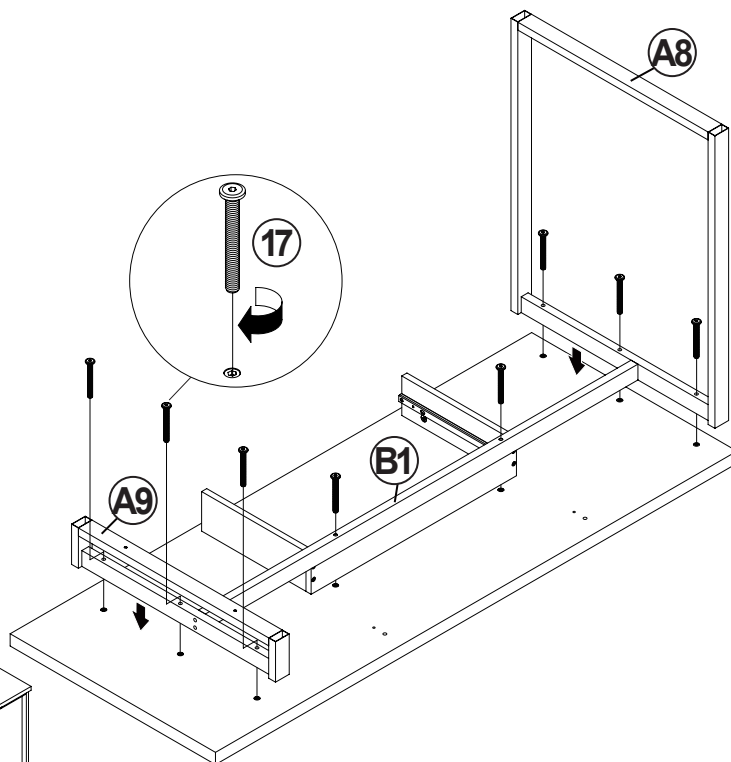
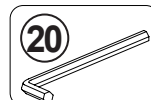
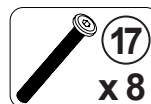
COASTER
FINE FURNITURE

STEP 8

LEFT



RIGHT

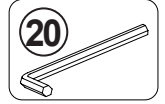
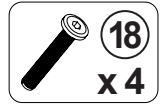
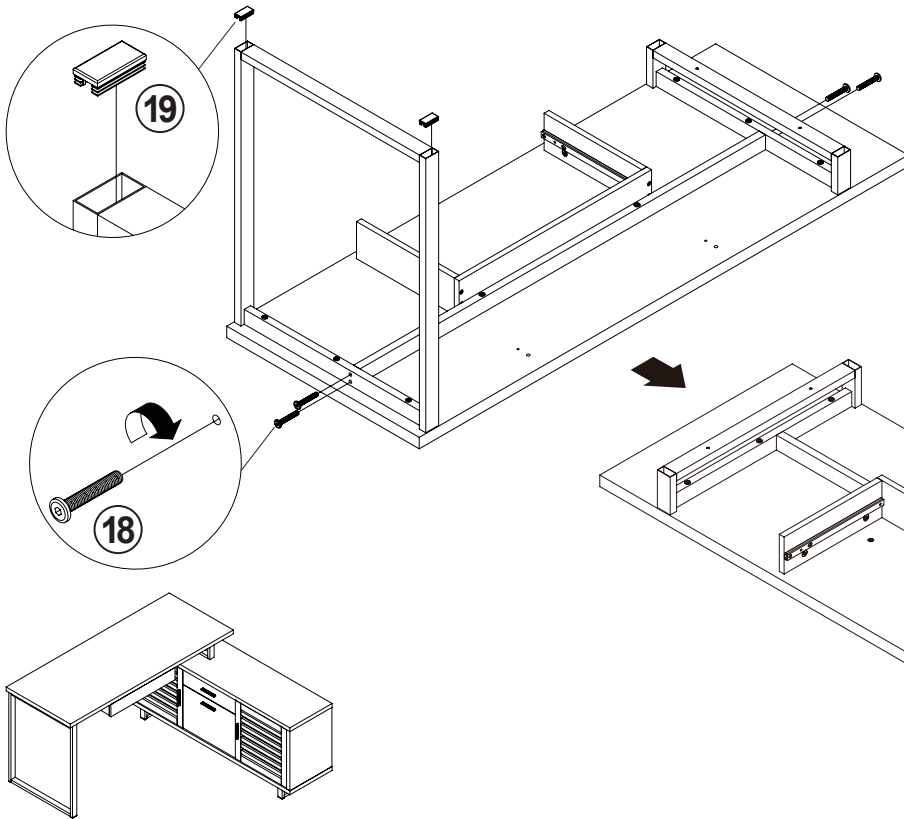


ITEM: 801861

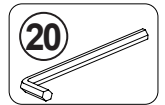
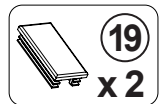
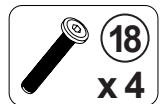
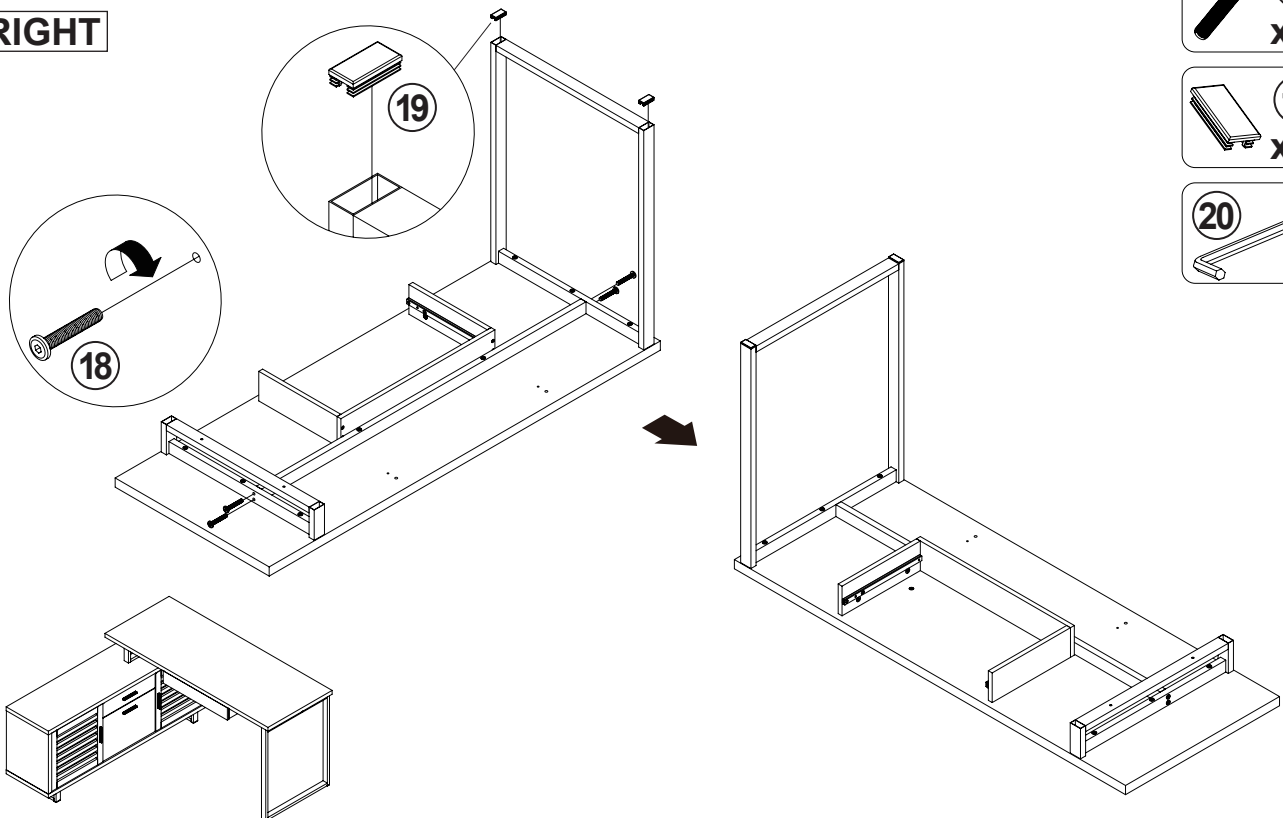
COASTER
FINE FURNITURE

STEP 9

LEFT



RIGHT

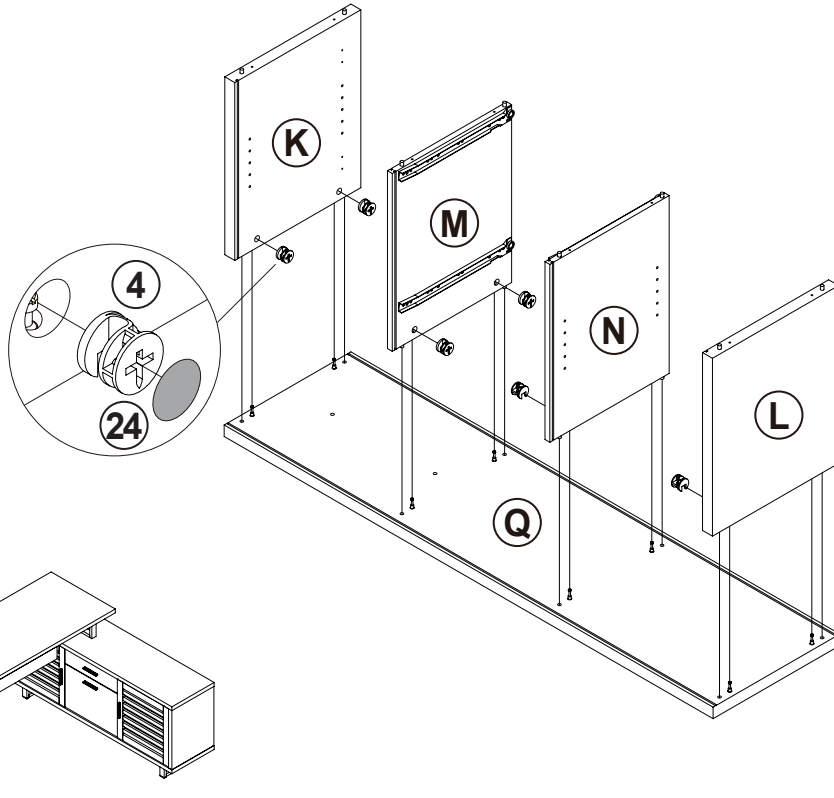
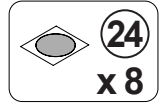
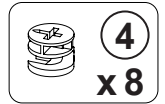


ITEM: 801861

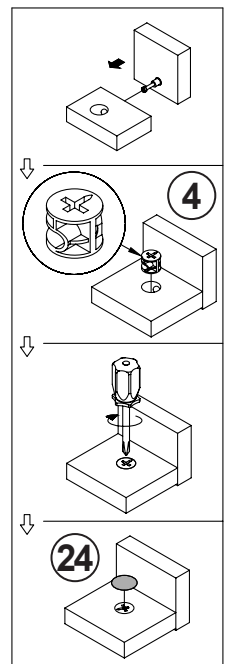
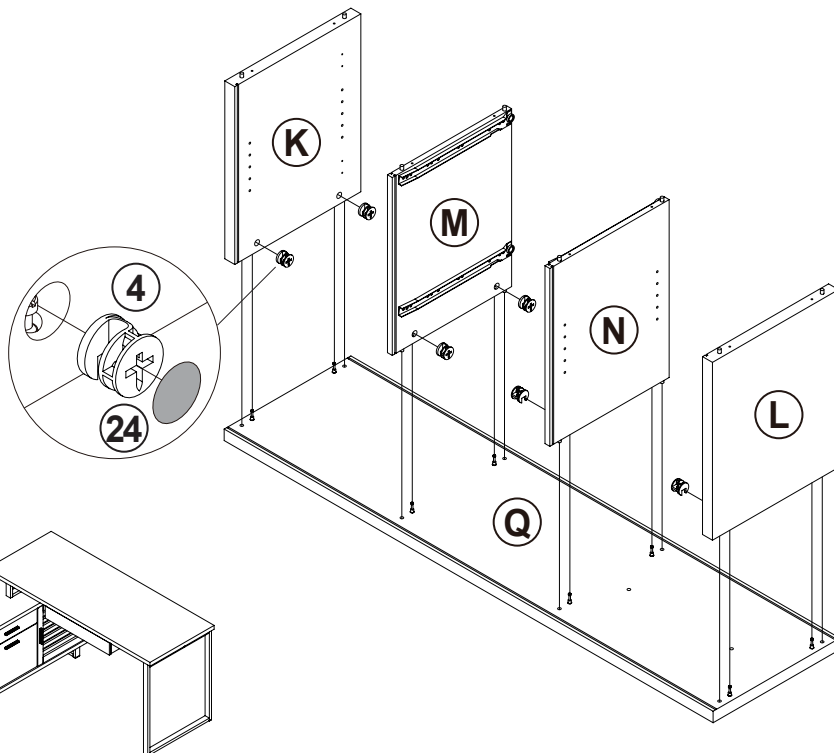
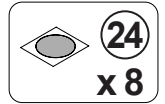
COASTER
FINE FURNITURE

STEP 10

LEFT



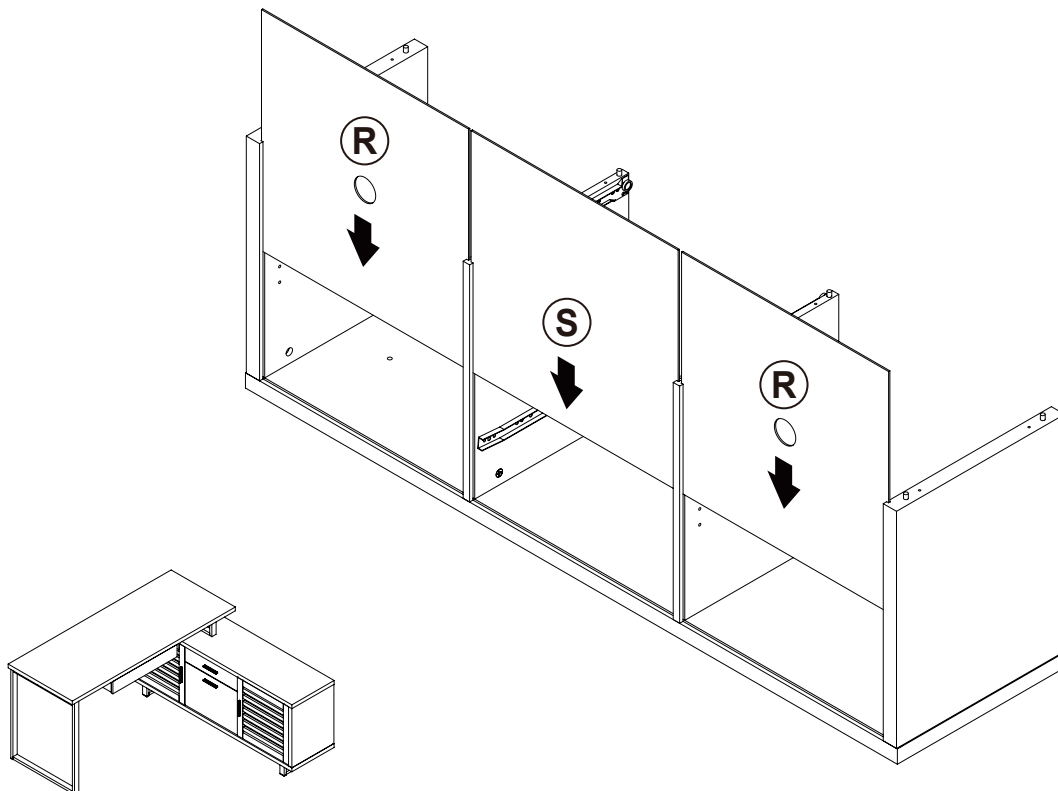
RIGHT



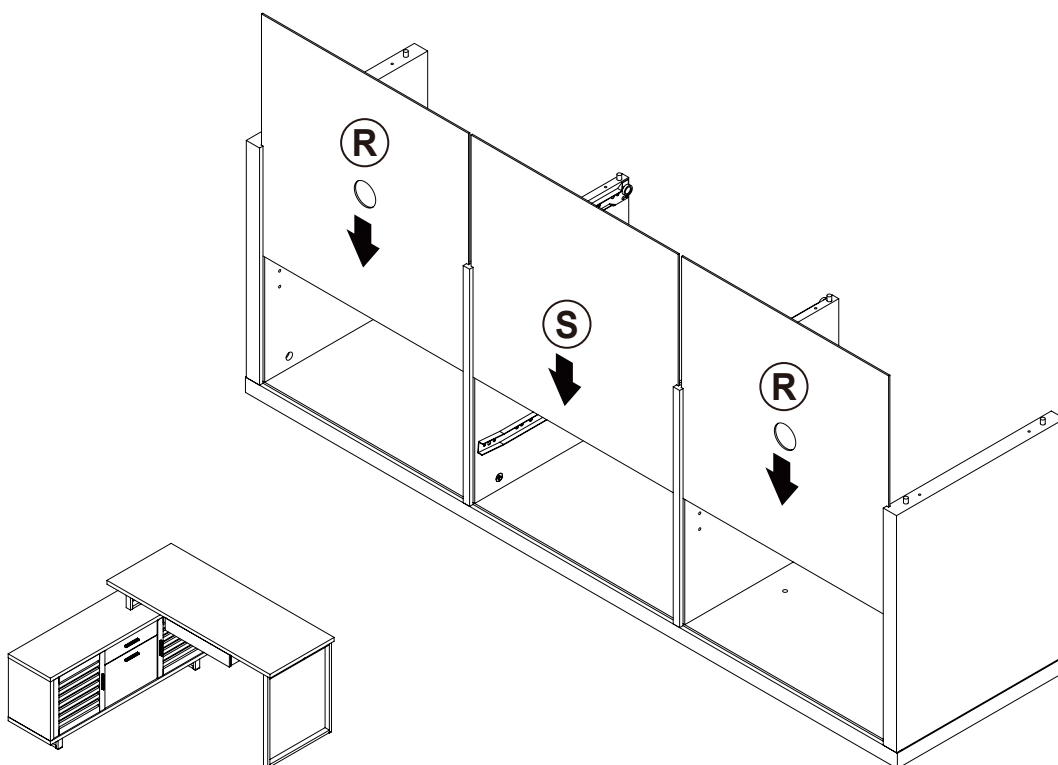
ITEM: 801861

STEP 11

LEFT



RIGHT

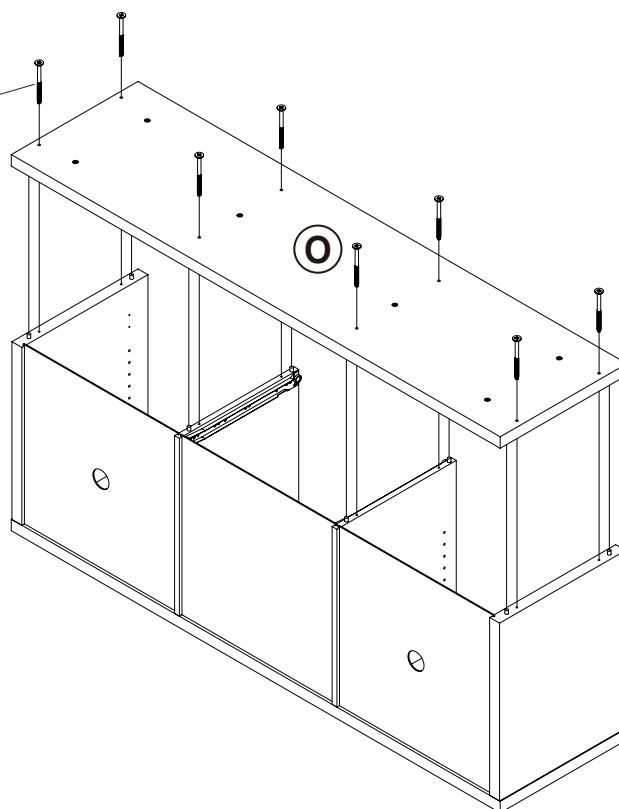
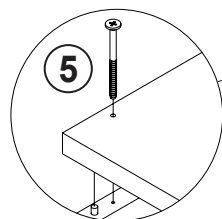


ITEM: 801861

COASTER
FINE FURNITURE

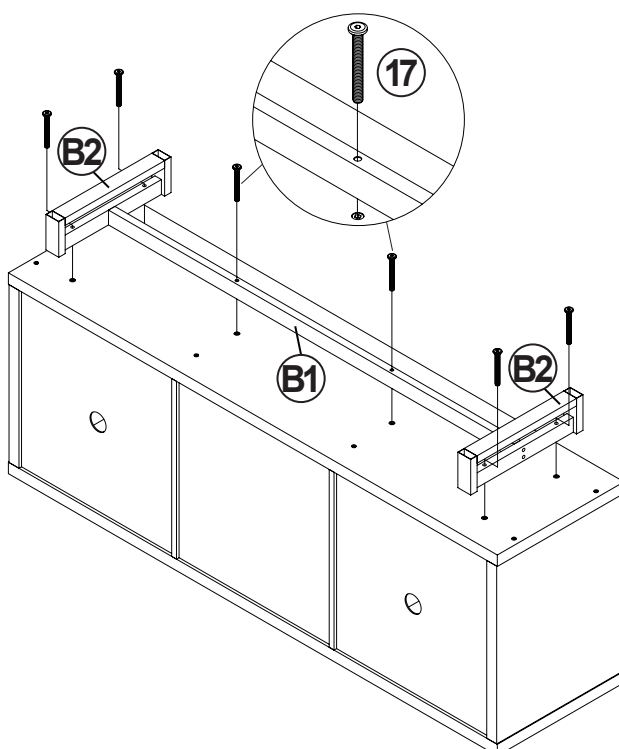
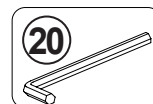
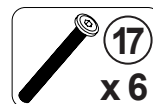
STEP 12

LEFT & RIGHT



STEP 13

LEFT & RIGHT



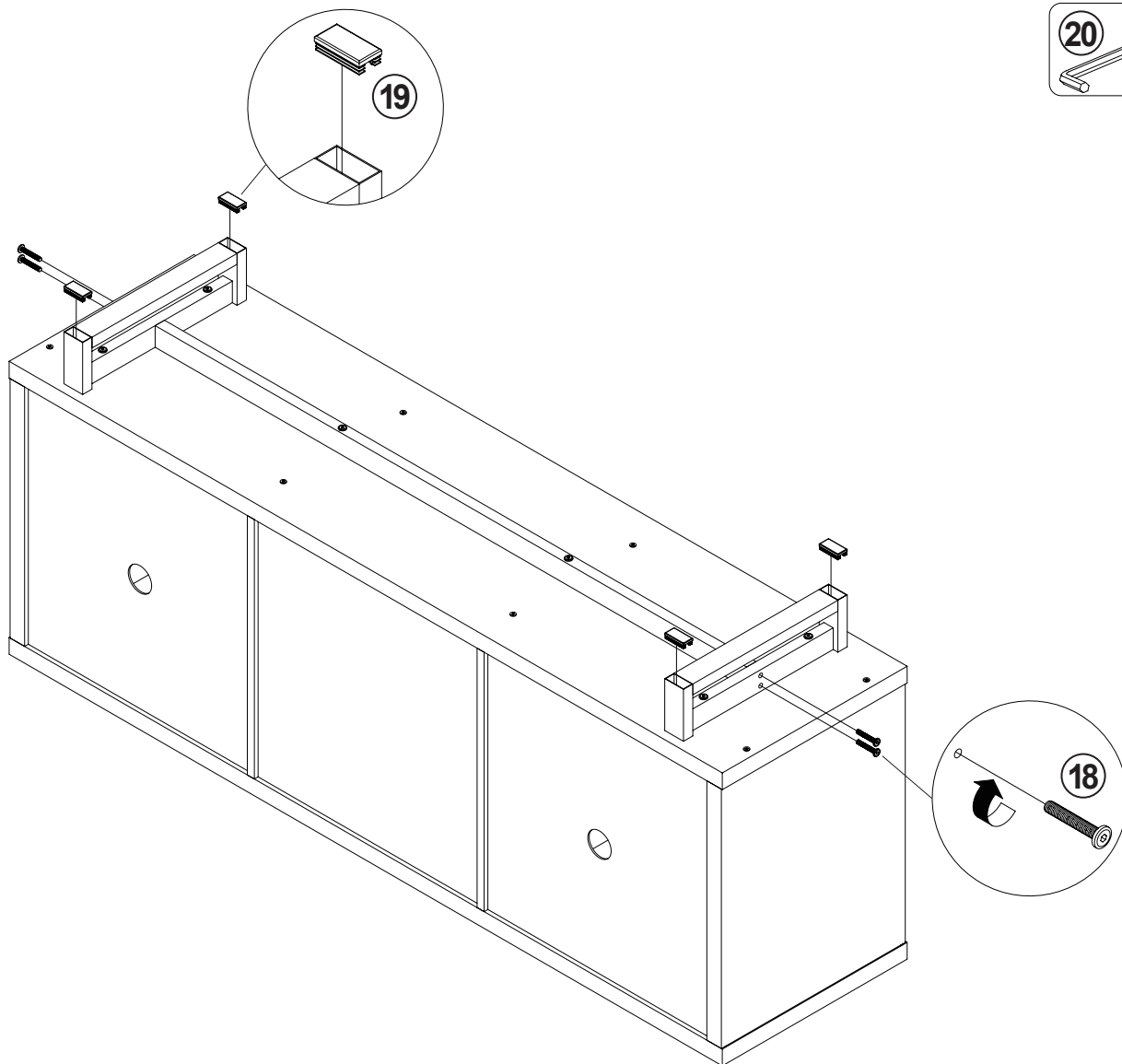
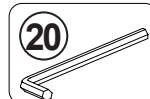
ITEM: **801861**

COASTER[®]

FINE FURNITURE

STEP 14

LEFT & RIGHT

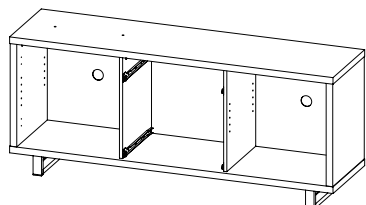
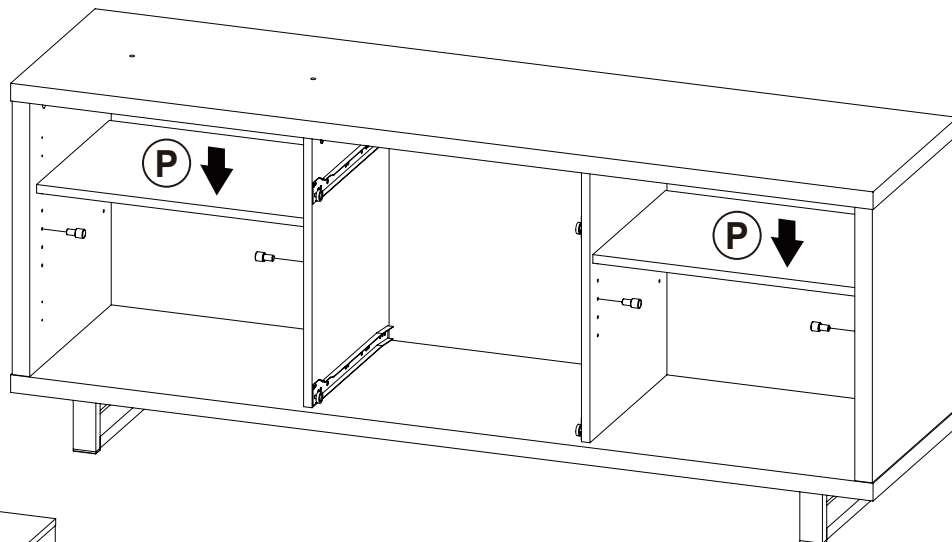
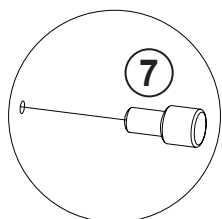
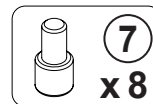


ITEM: 801861

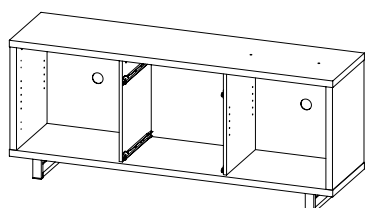
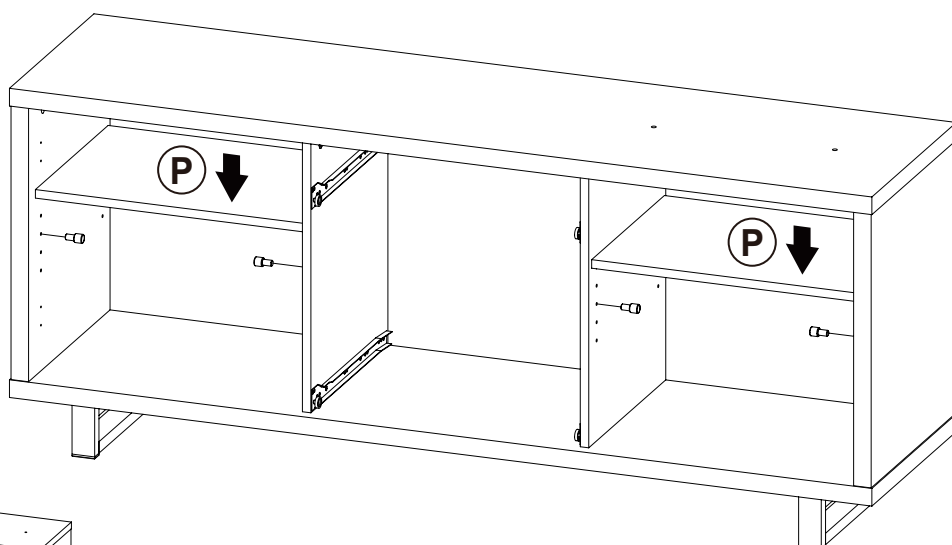
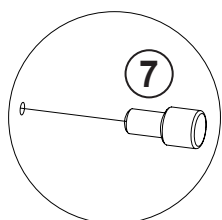
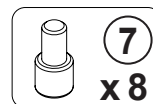
COASTER
FINE FURNITURE

STEP 15

LEFT

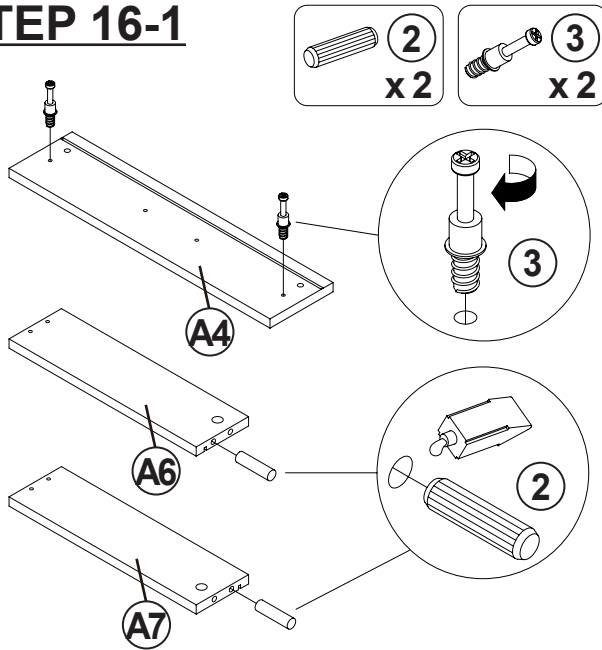


RIGHT

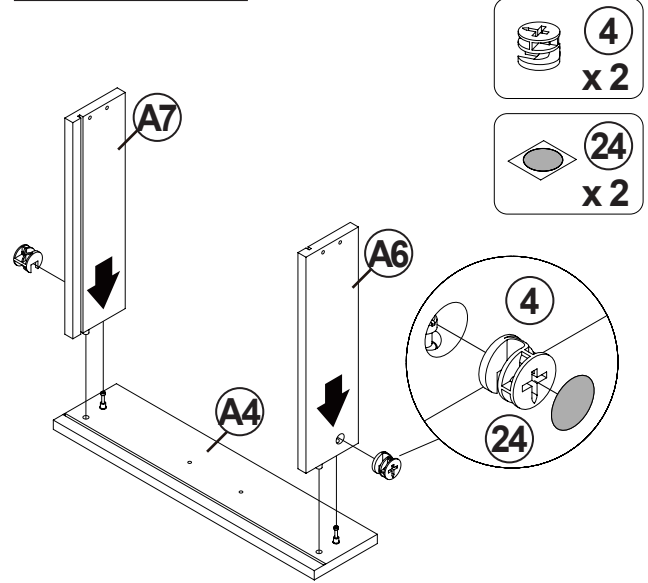


ITEM: 801861

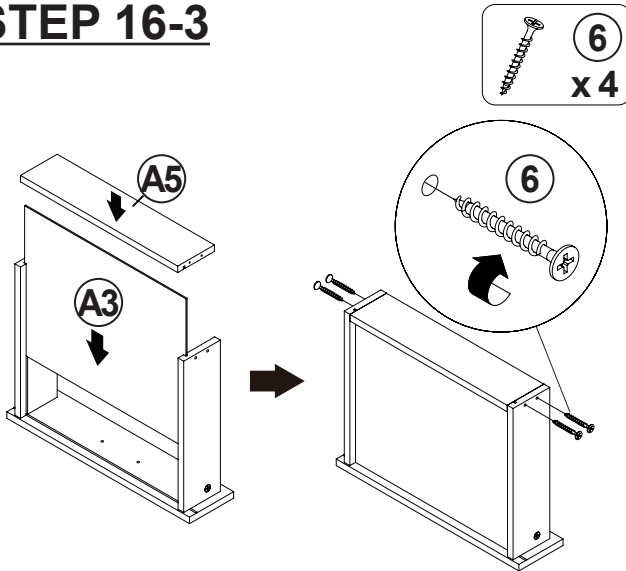
STEP 16-1



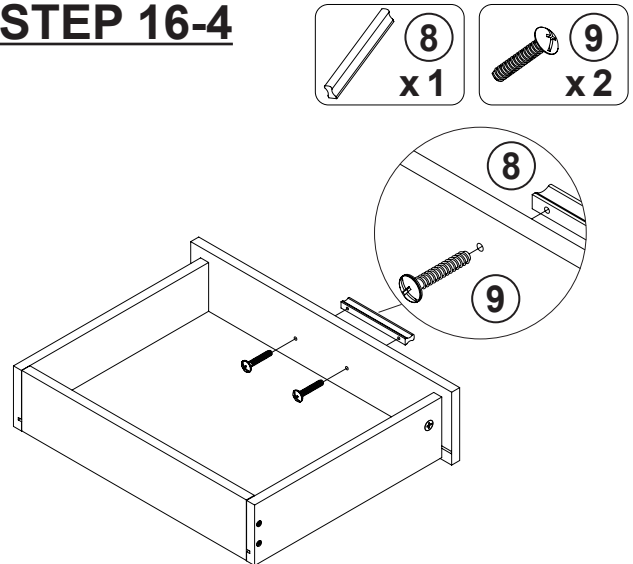
STEP 16-2



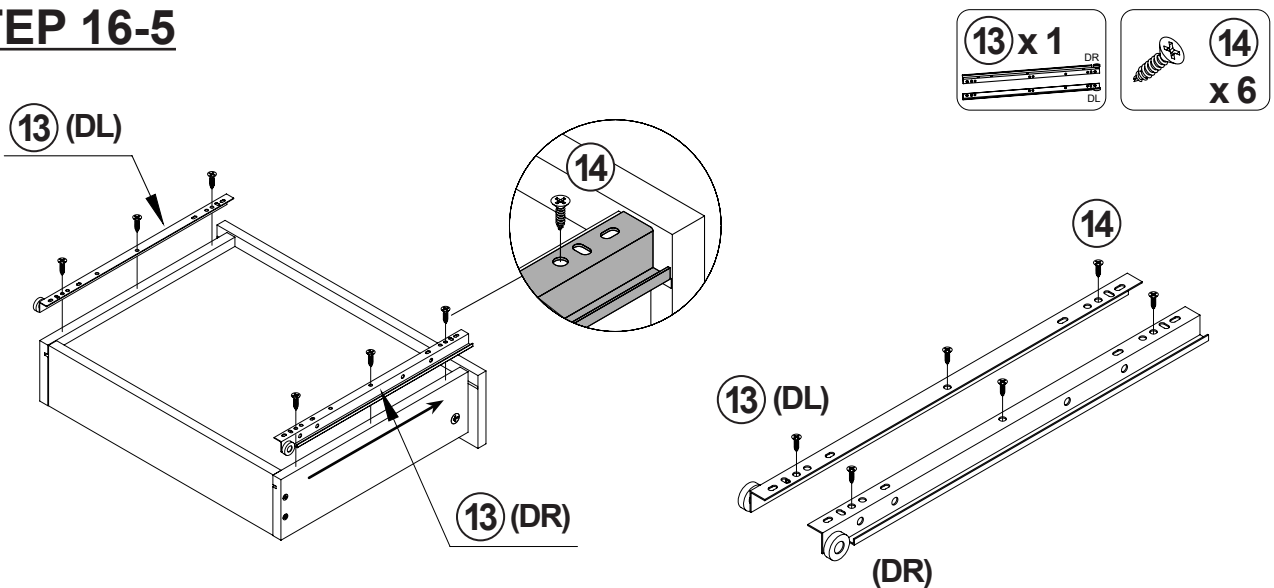
STEP 16-3



STEP 16-4

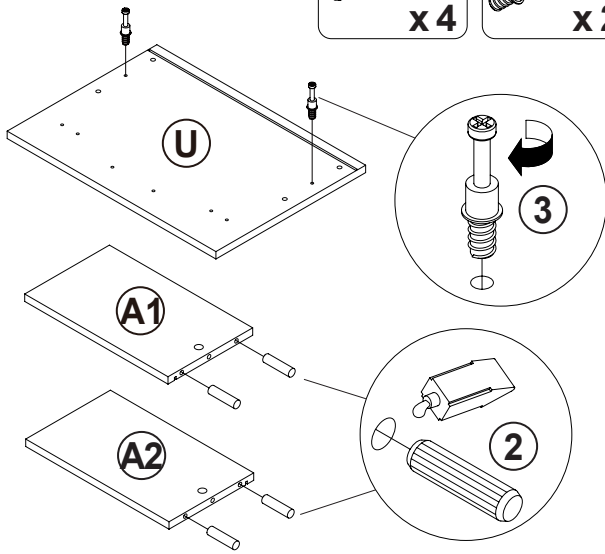
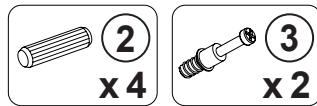


STEP 16-5

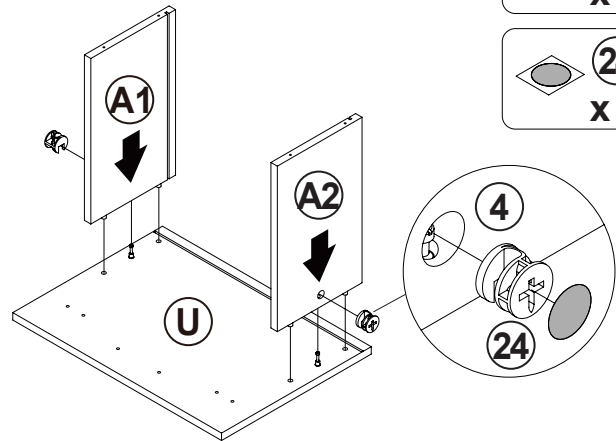
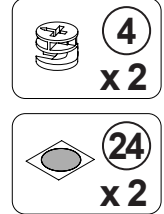


ITEM: 801861

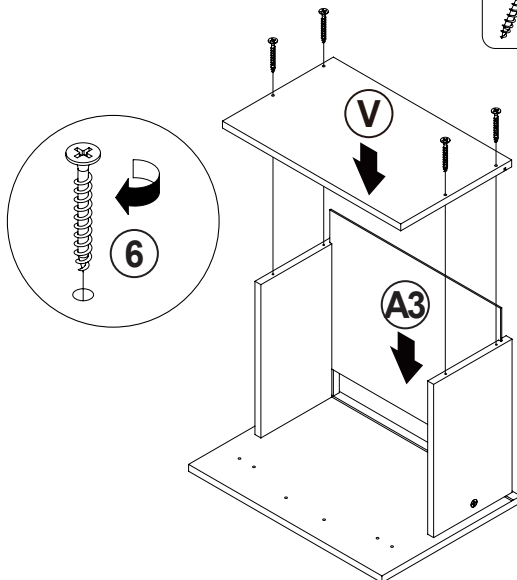
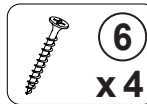
STEP 17-1



STEP 17-2

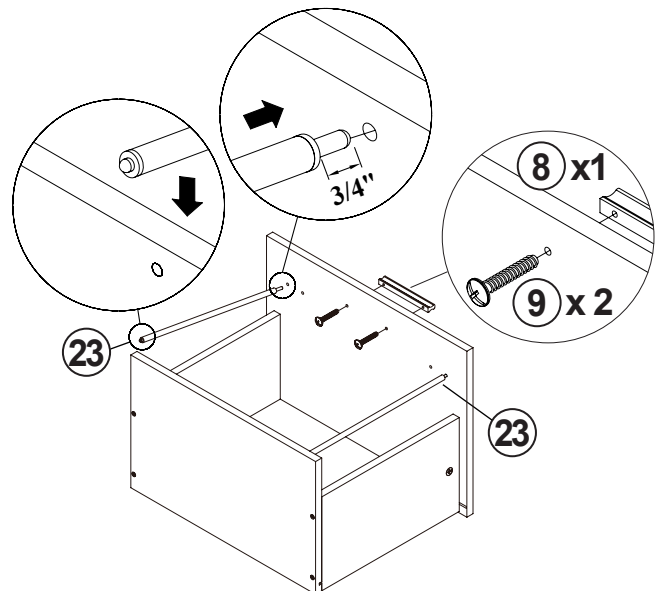


STEP 17-3

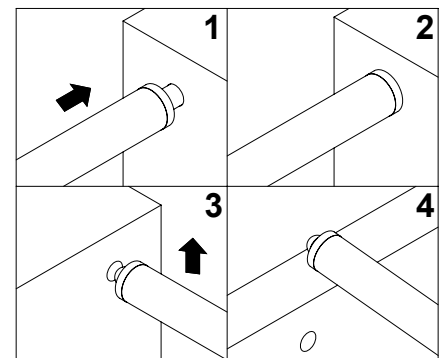
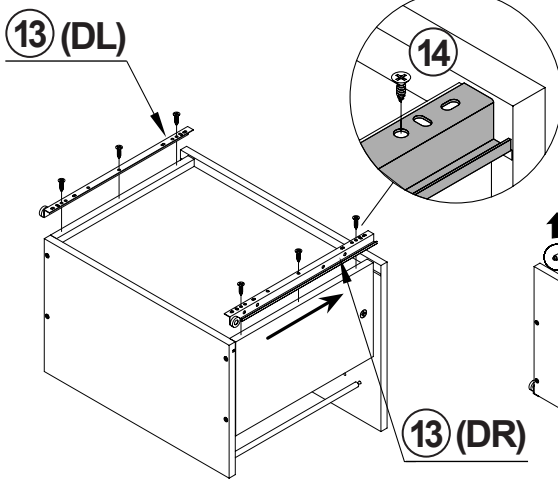
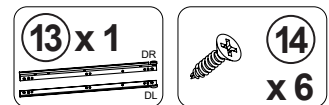


STEP 17-4

Insert rails in outside holes for large files.
Insert rails in inside holes for small files.



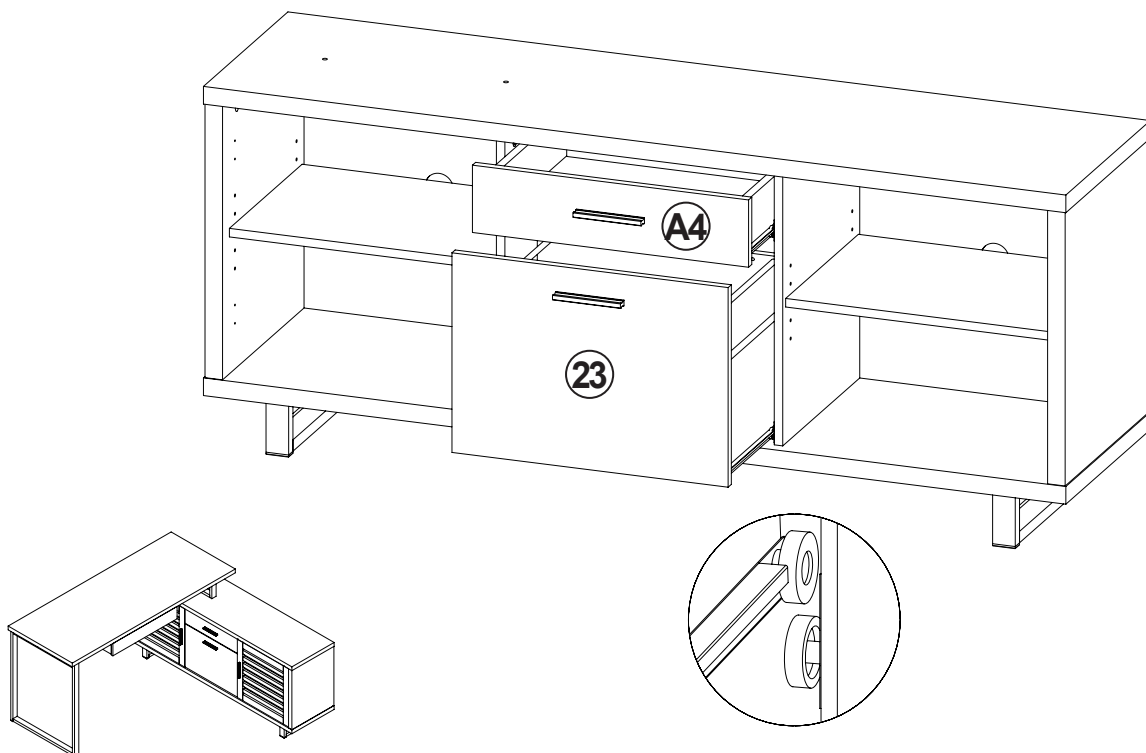
STEP 17-5



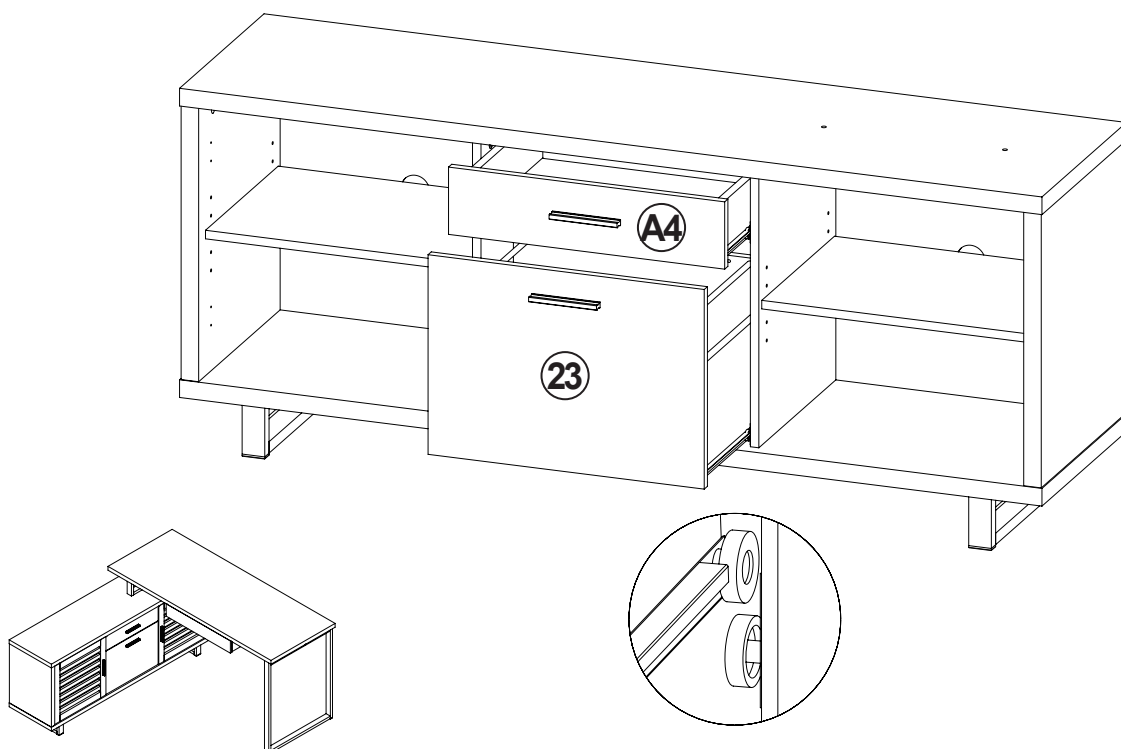
ITEM: 801861

STEP 18

LEFT



RIGHT

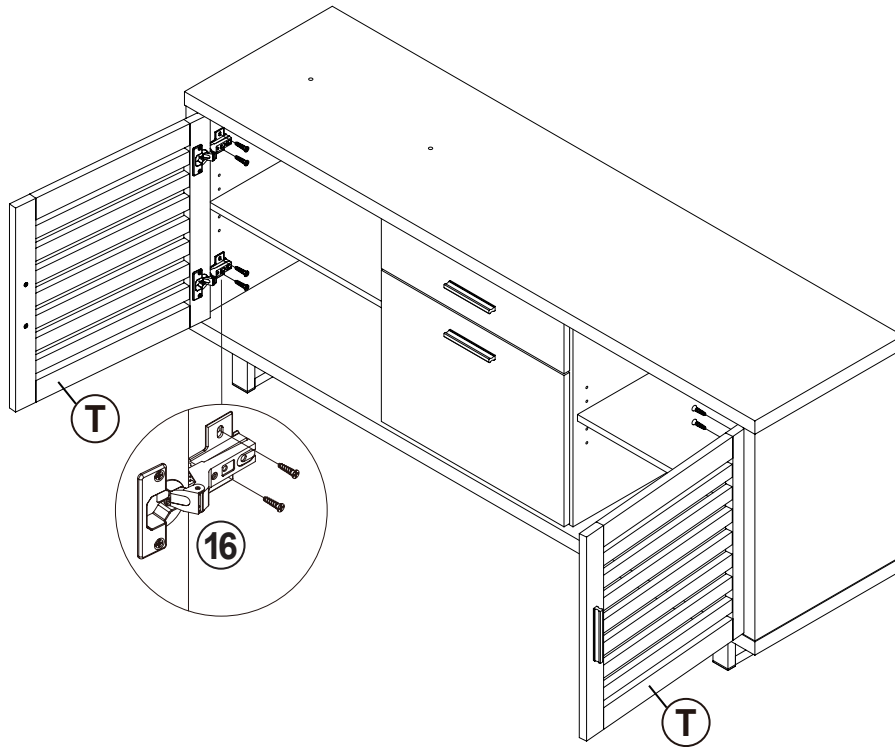
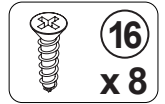


ITEM: 801861

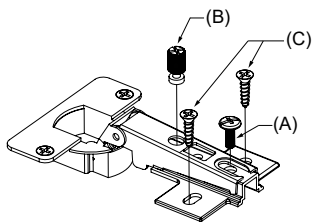
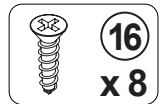
COASTER
FINE FURNITURE

STEP 19

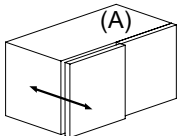
LEFT



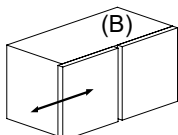
RIGHT



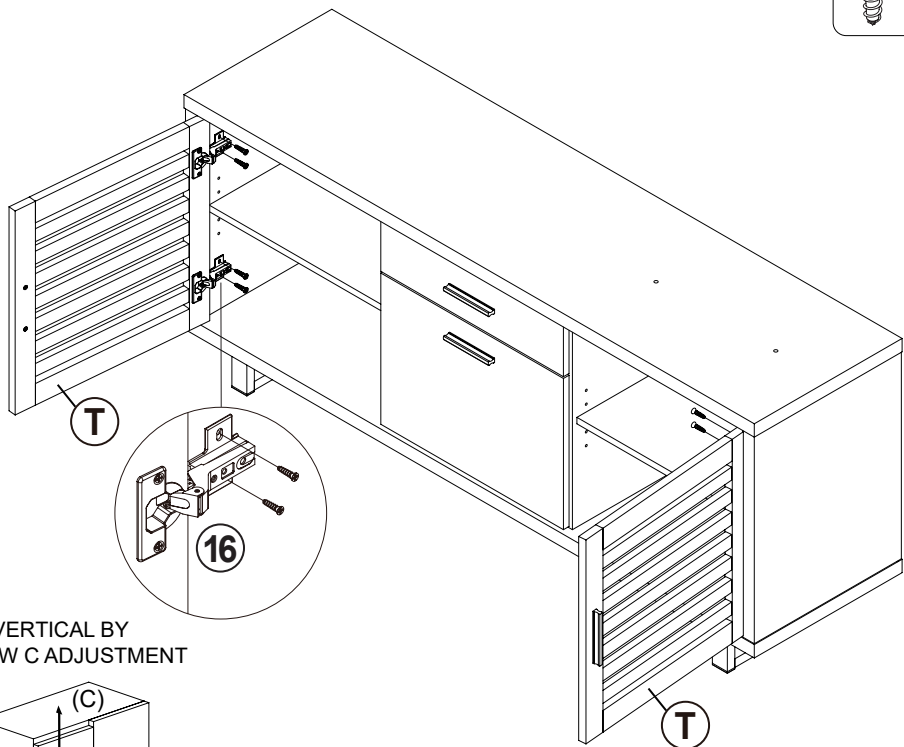
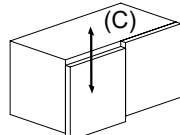
HORIZONTAL BY
SCREW A ADJUSTMENT



LATERAL BY
SCREW B ADJUSTMENT



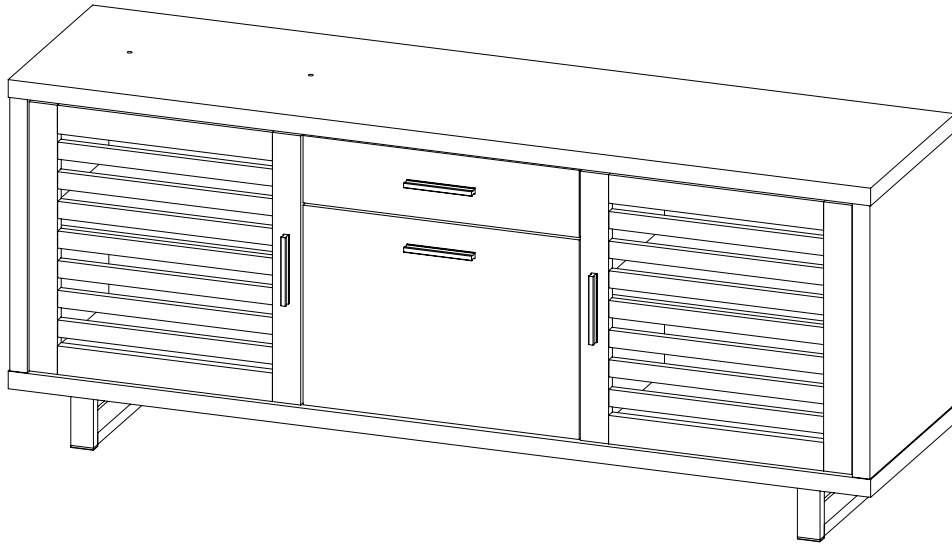
VERTICAL BY
SCREW C ADJUSTMENT



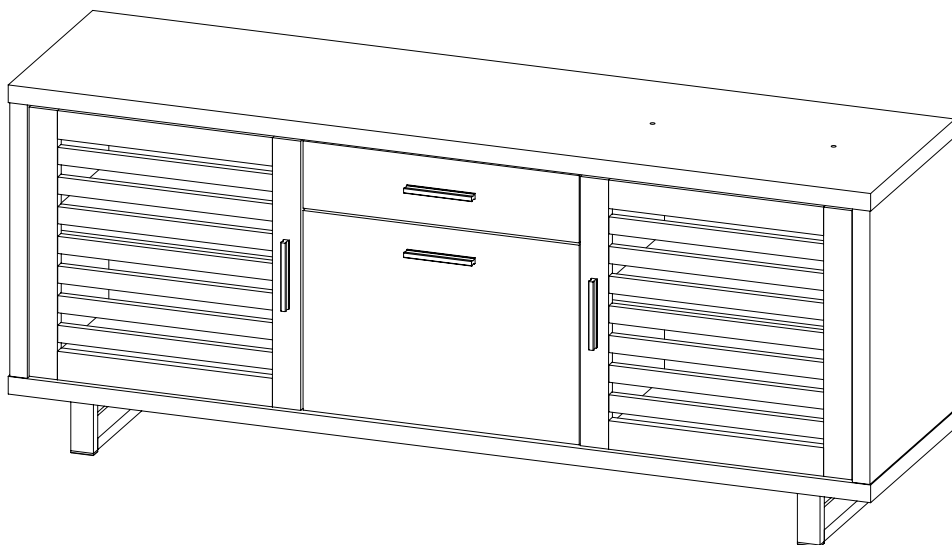
ITEM: **801861**

STEP 20

LEFT



RIGHT



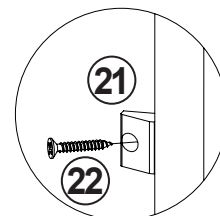
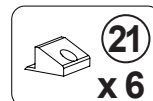
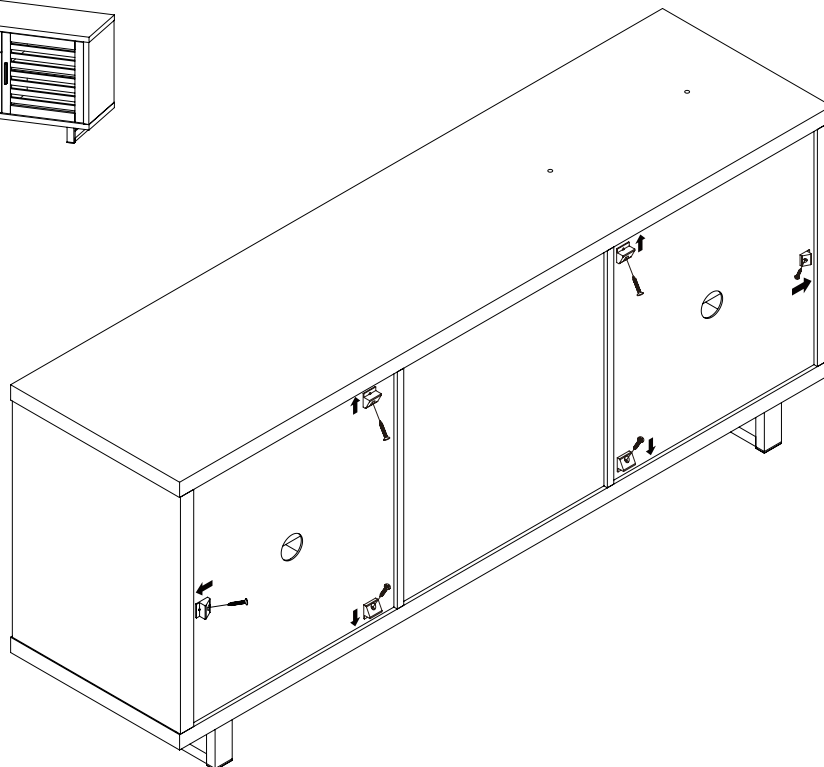
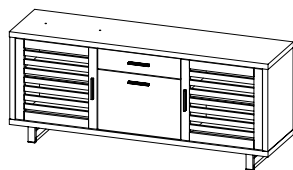
ITEM: 801861

COASTER[®]

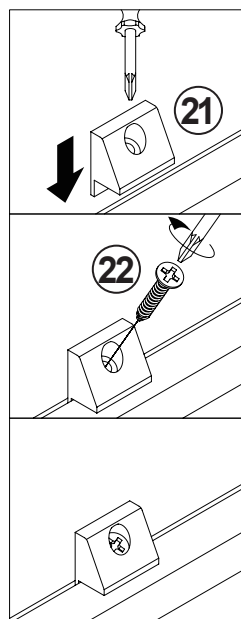
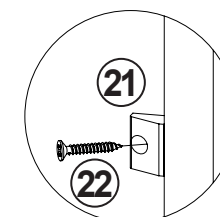
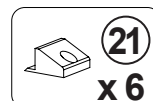
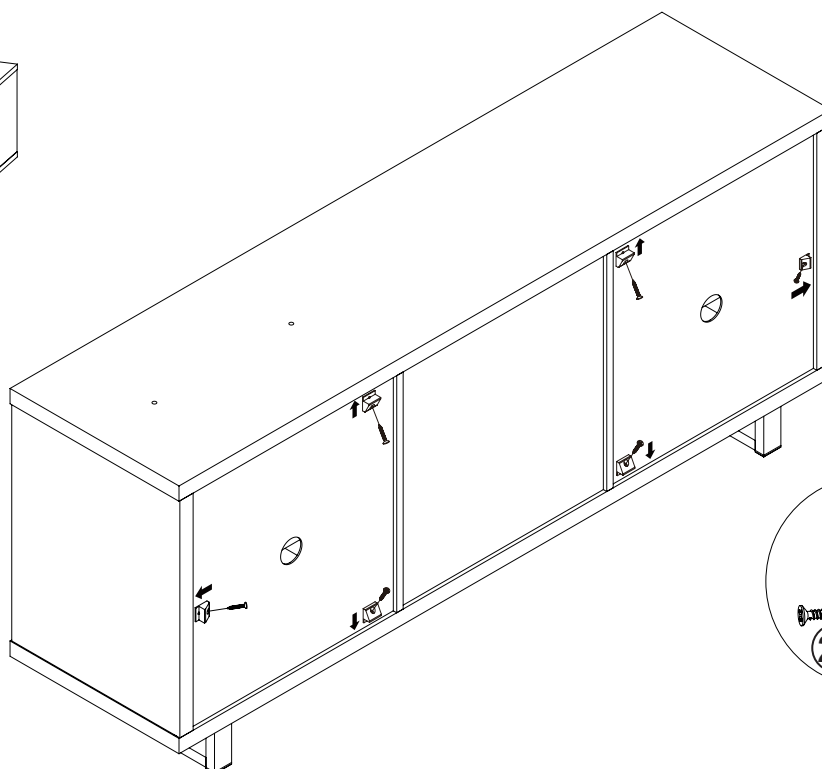
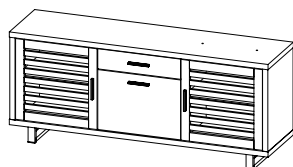
FINE FURNITURE

STEP 21

LEFT



RIGHT



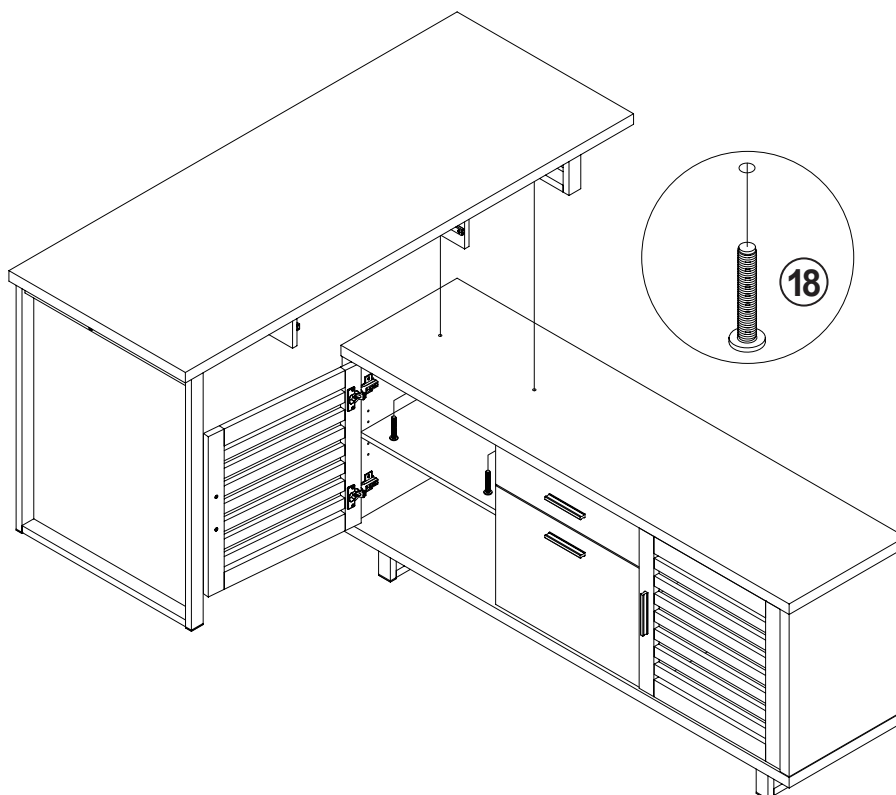
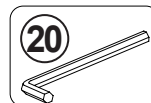
ITEM: 801861

COASTER[®]

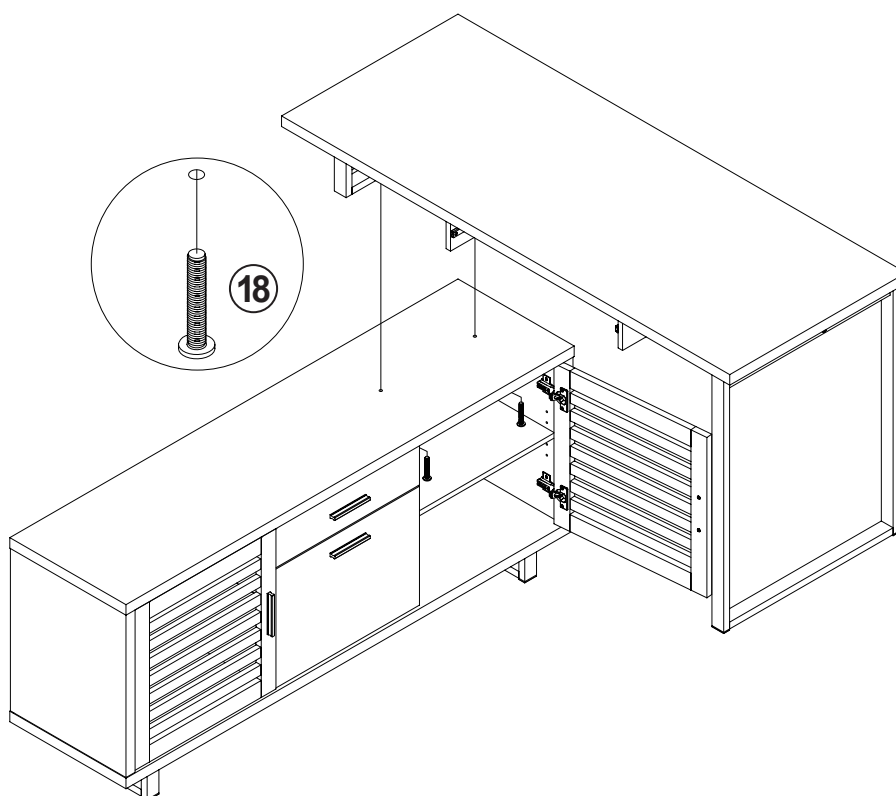
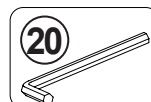
FINE FURNITURE

STEP 22

LEFT

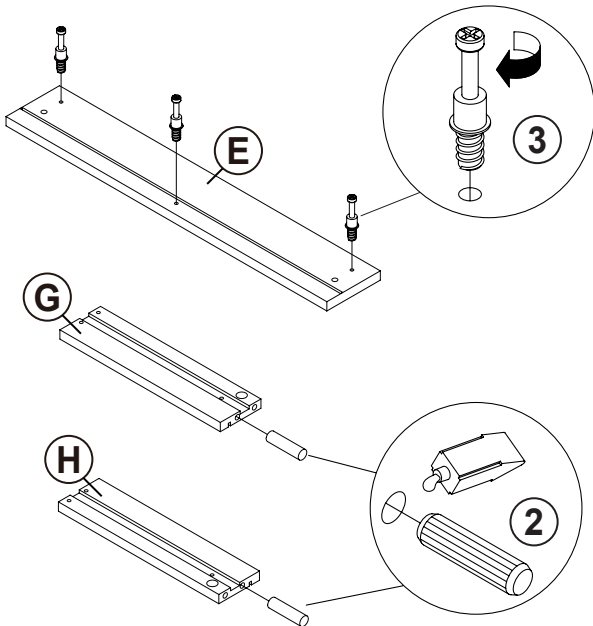
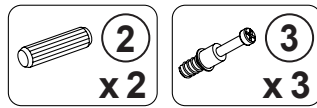


RIGHT

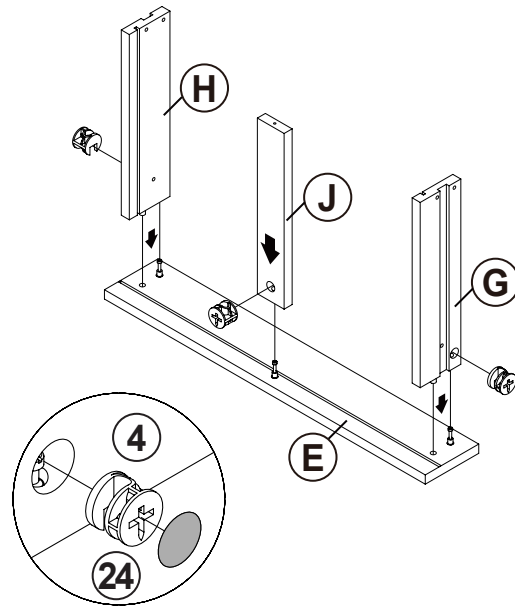
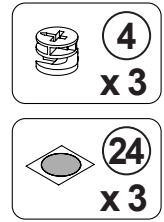


ITEM: 801861

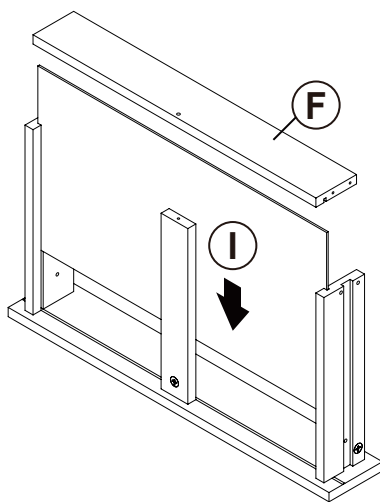
STEP 23-1



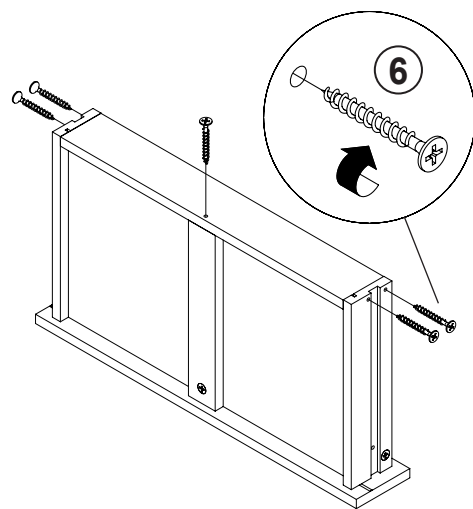
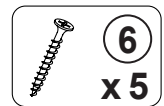
STEP 23-2



STEP 23-3



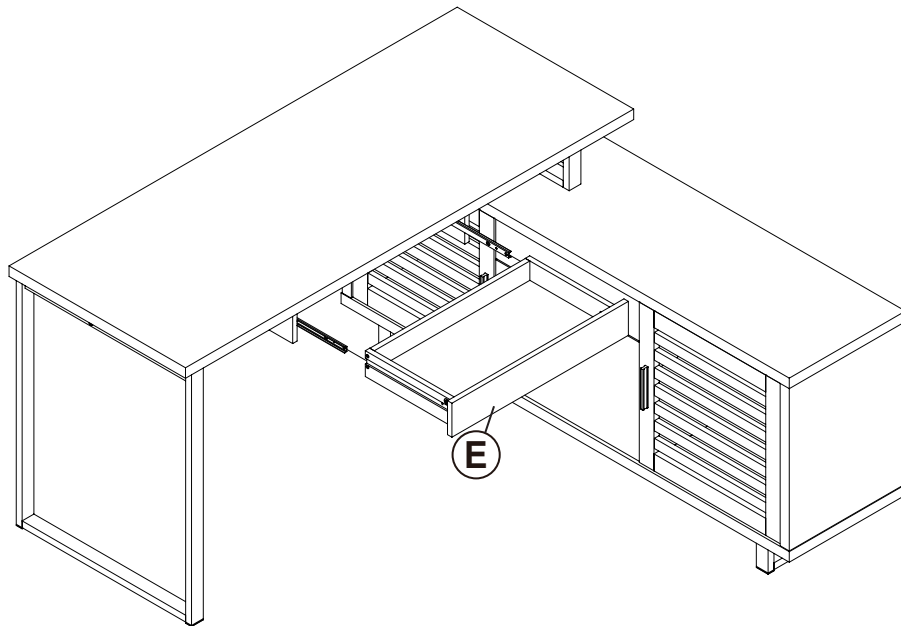
STEP 23-4



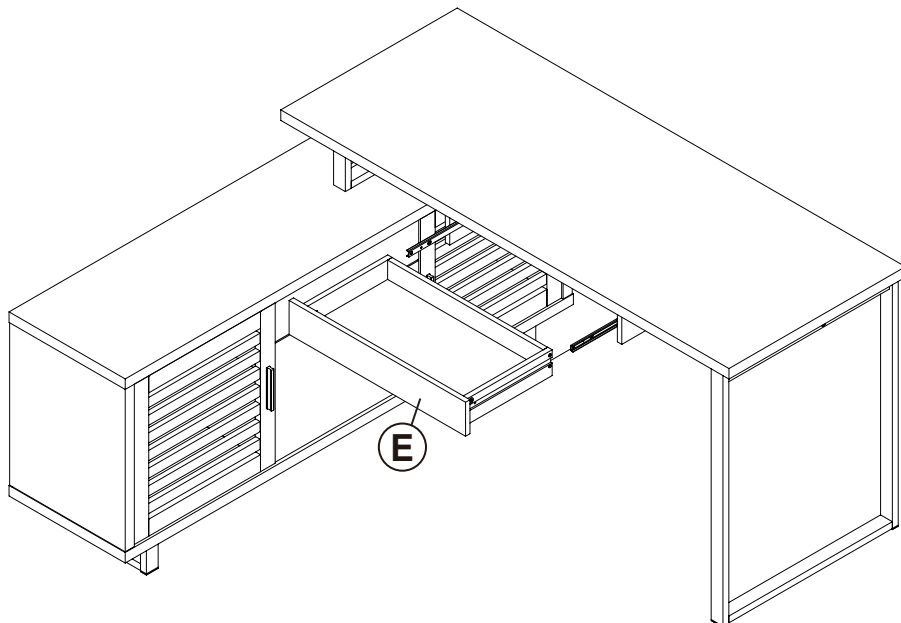
ITEM: **801861**

STEP 24

LEFT



RIGHT

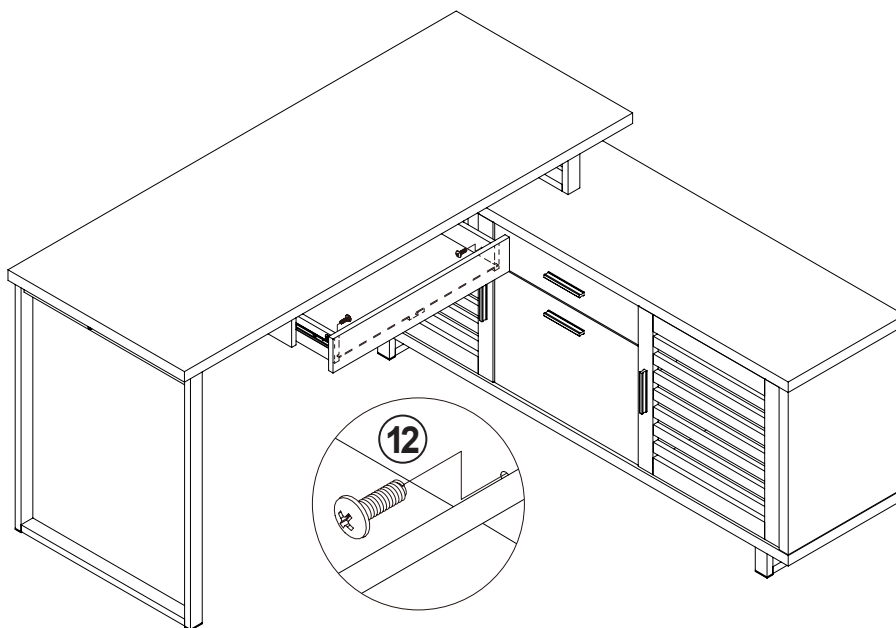
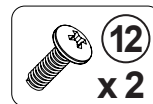


ITEM: **801861**

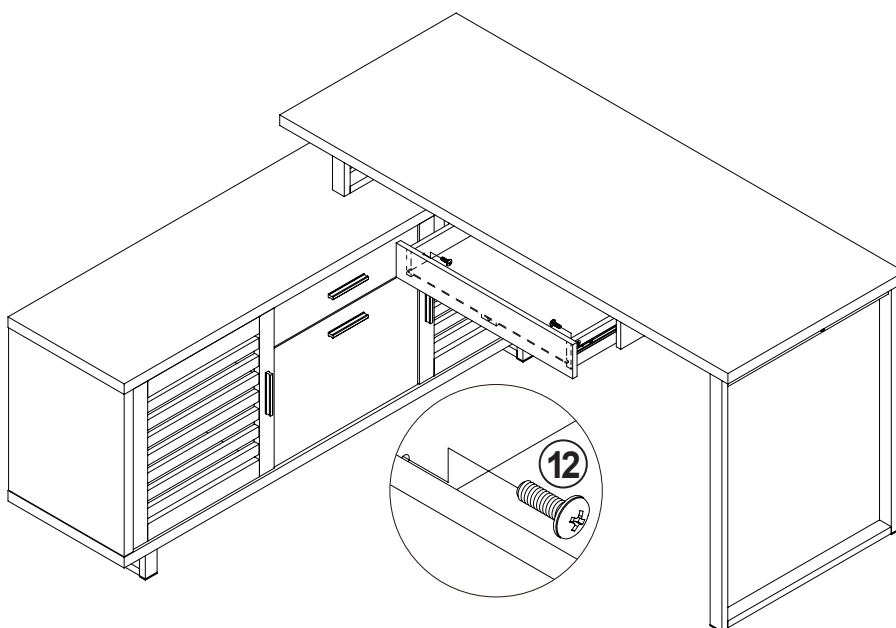
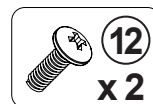
COASTER
FINE FURNITURE

STEP 25

LEFT



RIGHT

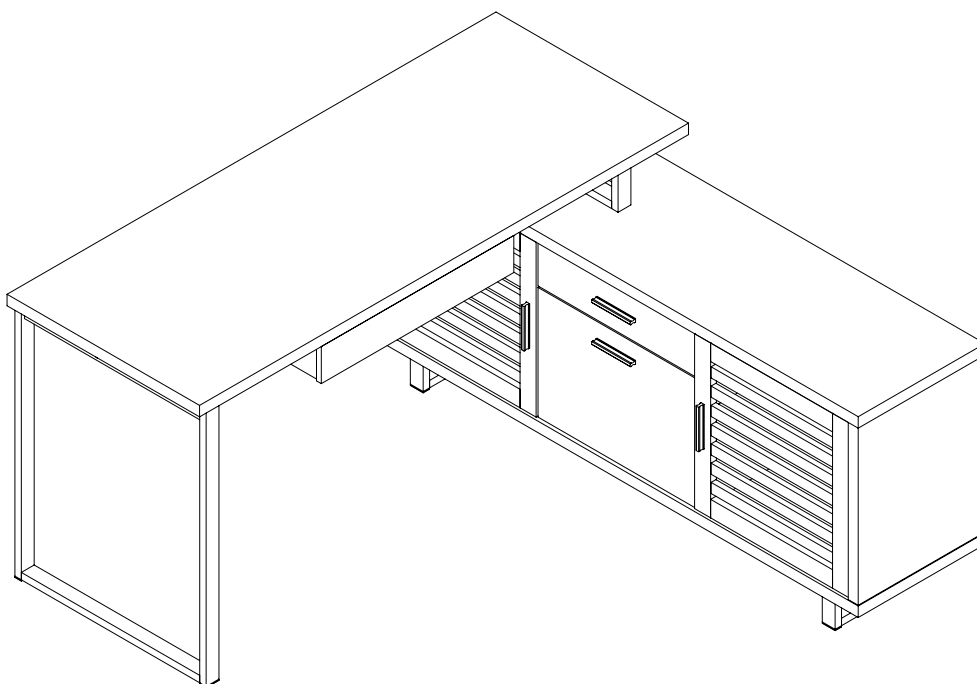


ITEM: **801861**

STEP 25

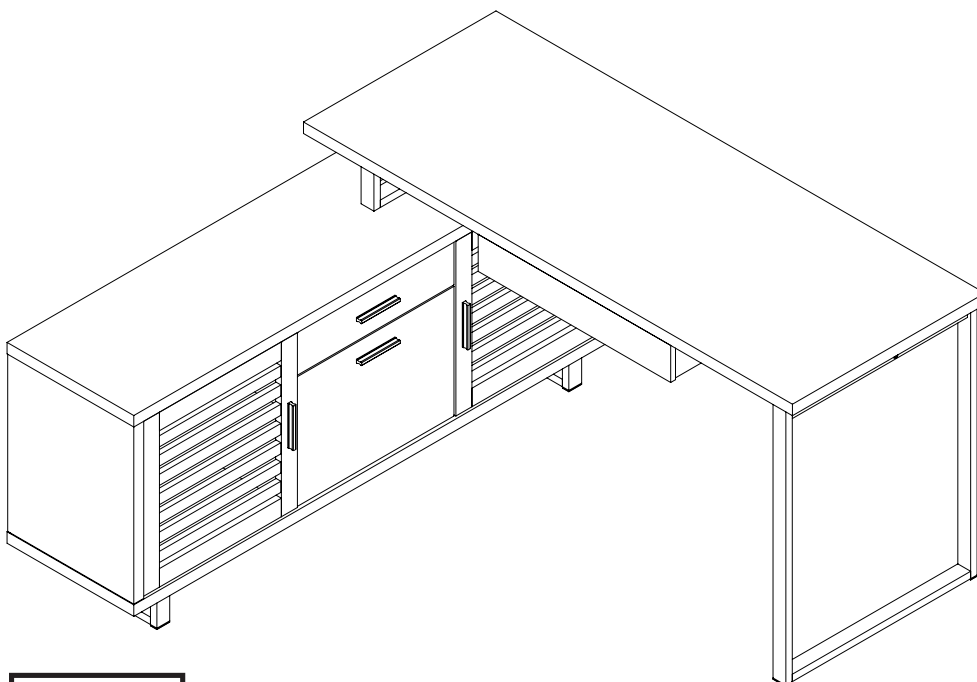
COMPLETE

LEFT

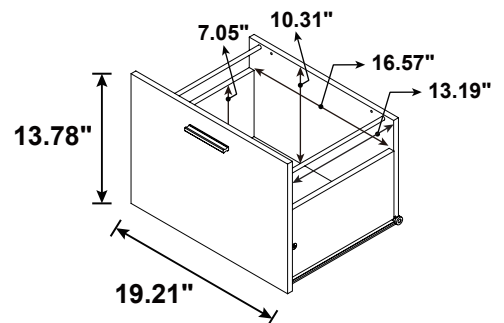
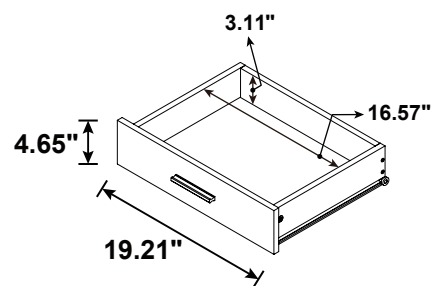
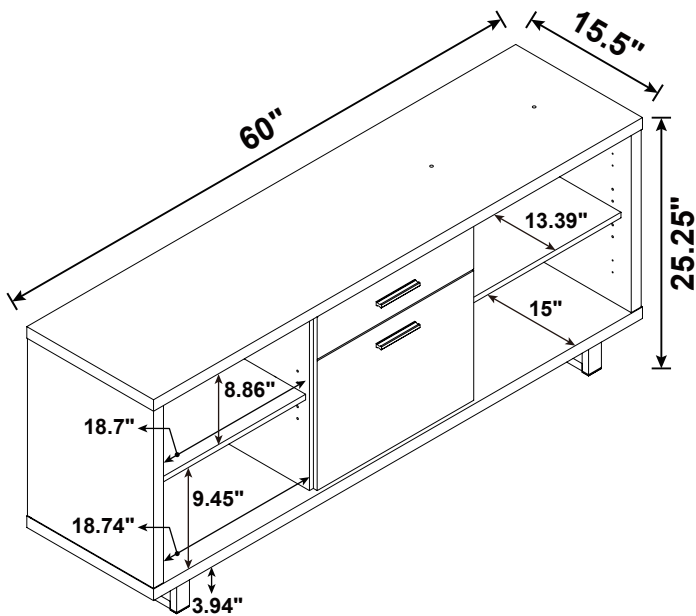
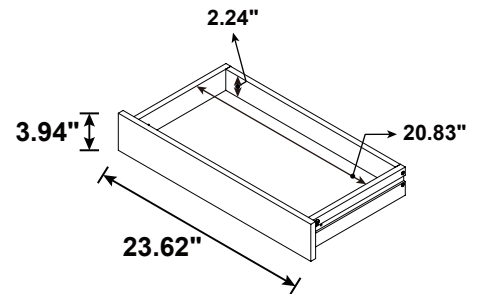
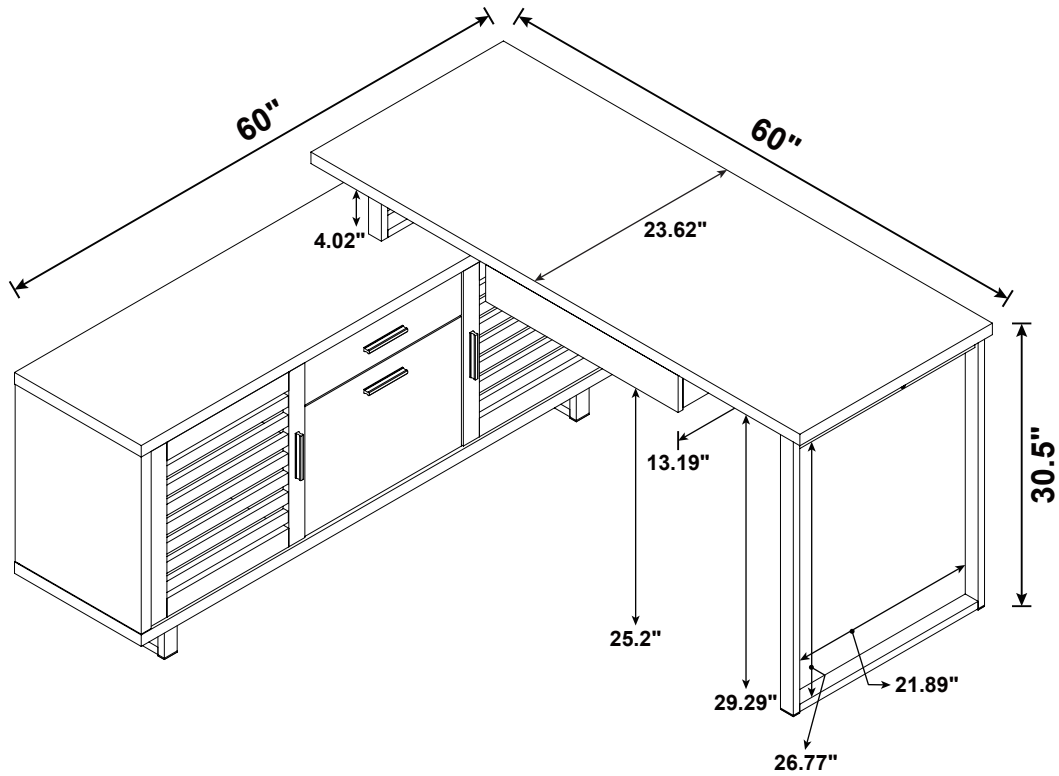


COMPLETE

RIGHT



ITEM:801861



Note : Dimension tolerance $\pm 5\%$