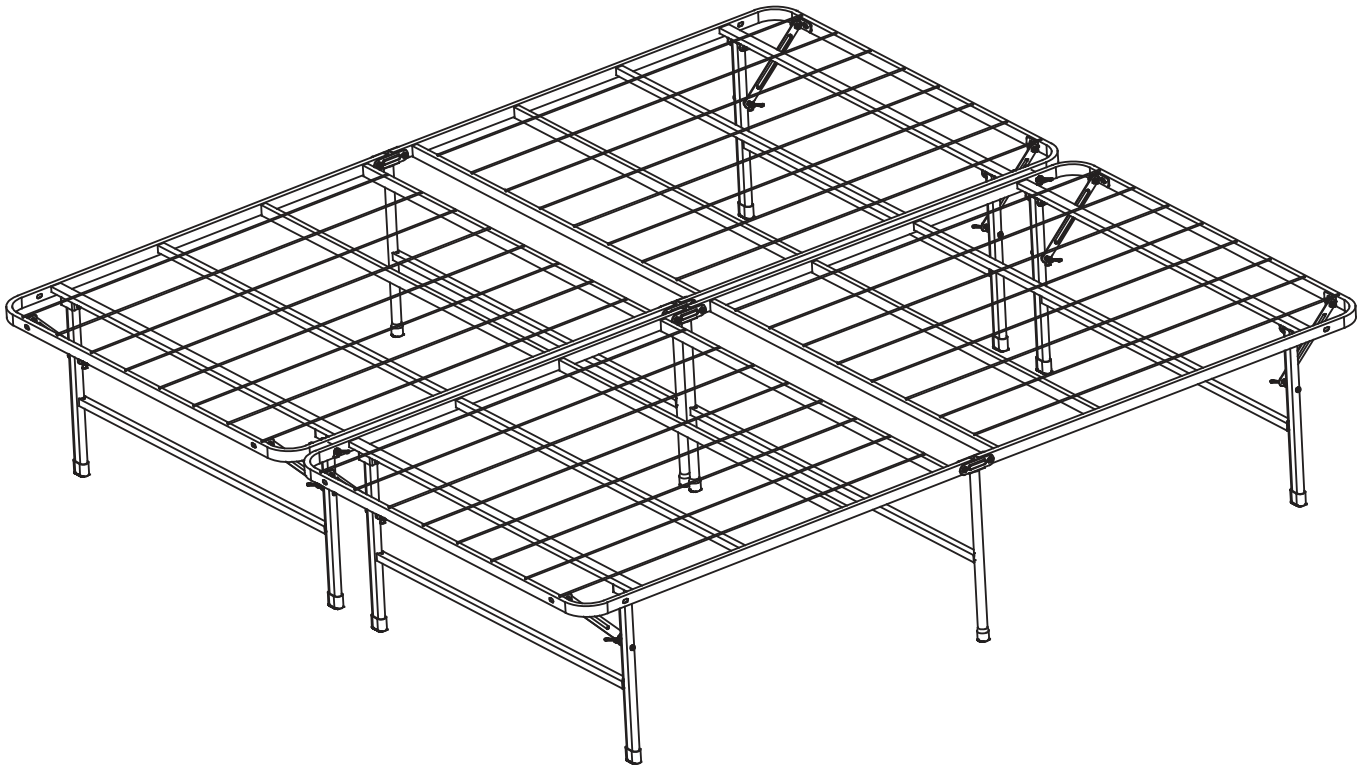


ASSEMBLY INSTRUCTIONS
COASTER FINE FURNITURE



Fine Furniture for every stage of life

305957KE
KE Platform Bed

REVISION 0 : 06/17/2024

ITEM: **305957KE**



ASSEMBLY INSTRUCTIONS

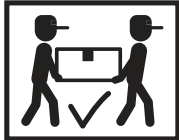
ASSEMBLY TIPS:

1. Remove hardware from box and sort by size.
2. Please check to see that all hardware and parts are present prior to start of assembly.
3. Please follow attached instructions in the same sequence as numbered to assure fast & easy assembly.



WARNING!

1. Don't attempt to repair or modify parts that are broken or defective. Please contact the store immediately.
2. This product is for home use only and not intended for commercial establishments.

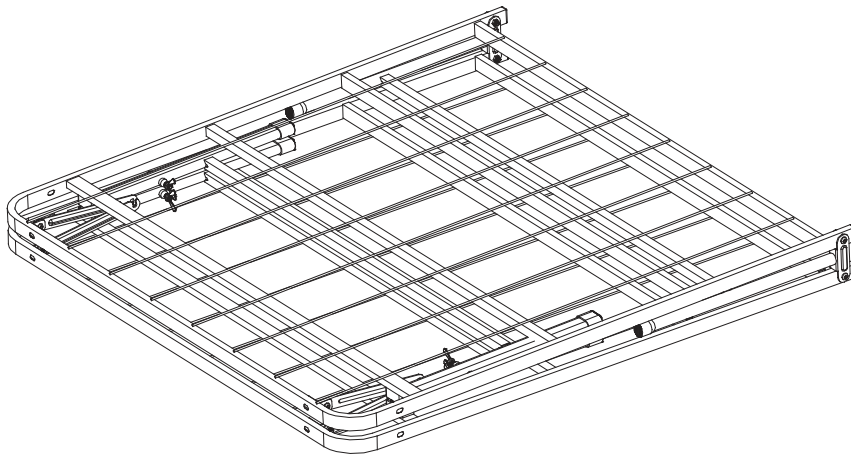


ASSEMBLY TIME

5 MINUTES

PARTS IDENTIFICATION

B1: BED FRAME



2 pcs

Z HARDWARE IDENTIFICATION

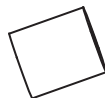
1 WING BOLT



(M6*45mm-BLK)

2 pcs

2 PLASTIC



(Φ12*14.5mm-BLK)

2 pcs

3 WING NUT



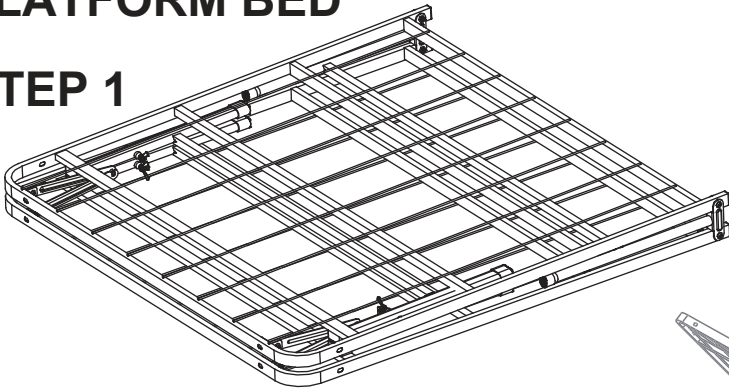
(M6-BLK)

2 pcs

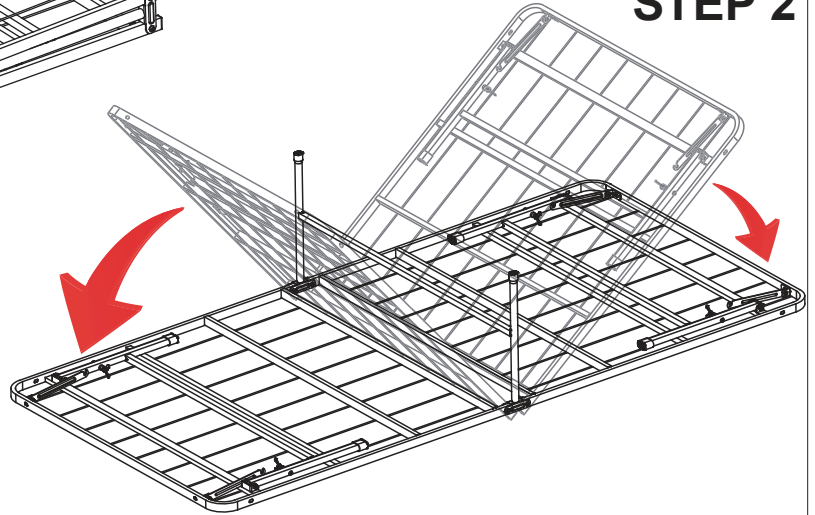
ITEM: **305957KE**
ASSEMBLY INSTRUCTIONS
PLATFORM BED



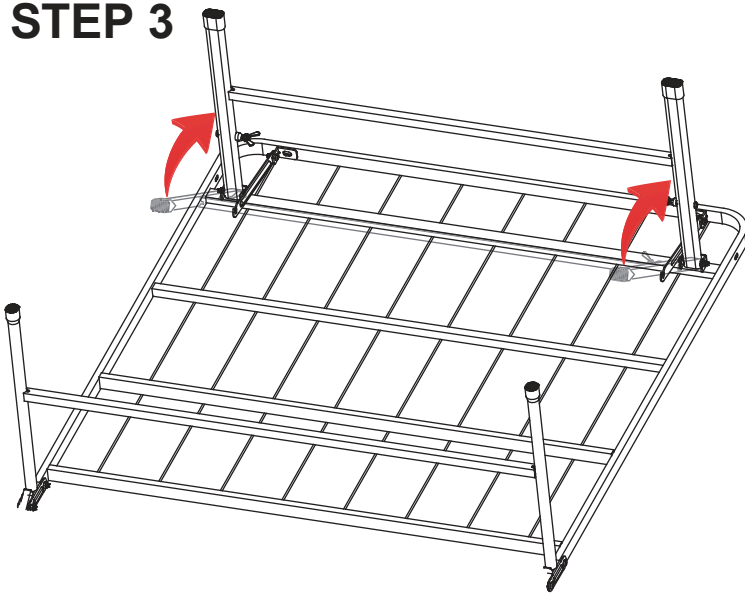
STEP 1



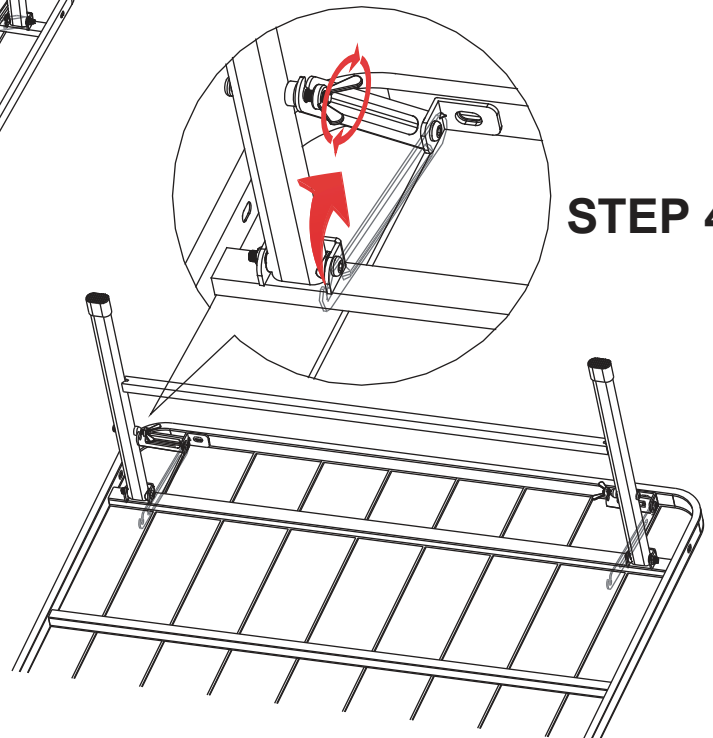
STEP 2



STEP 3



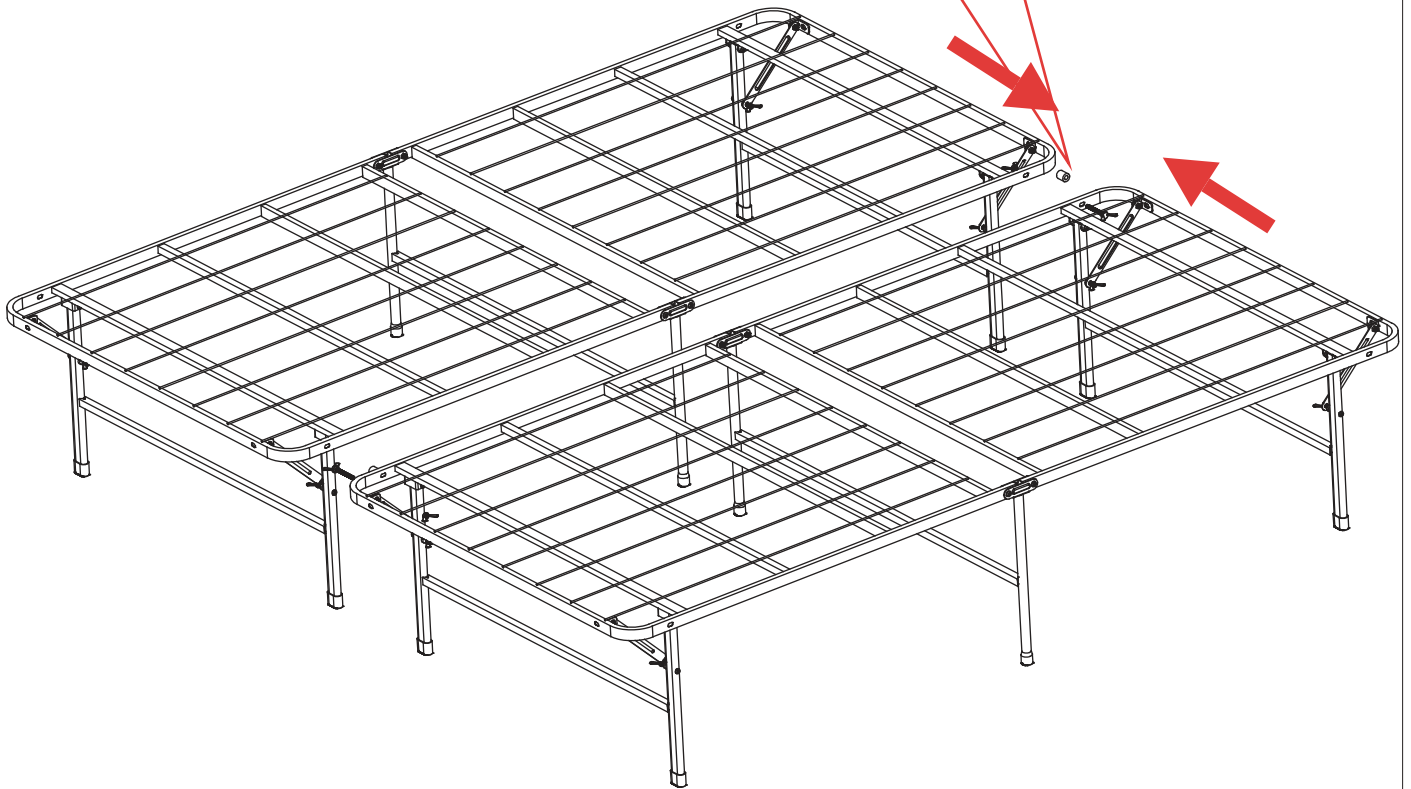
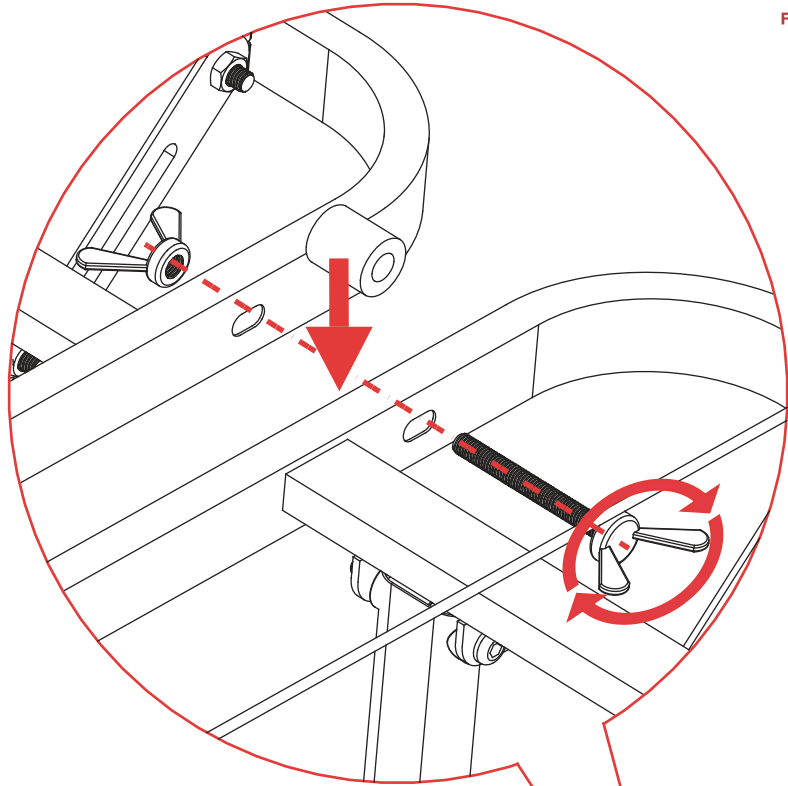
STEP 4



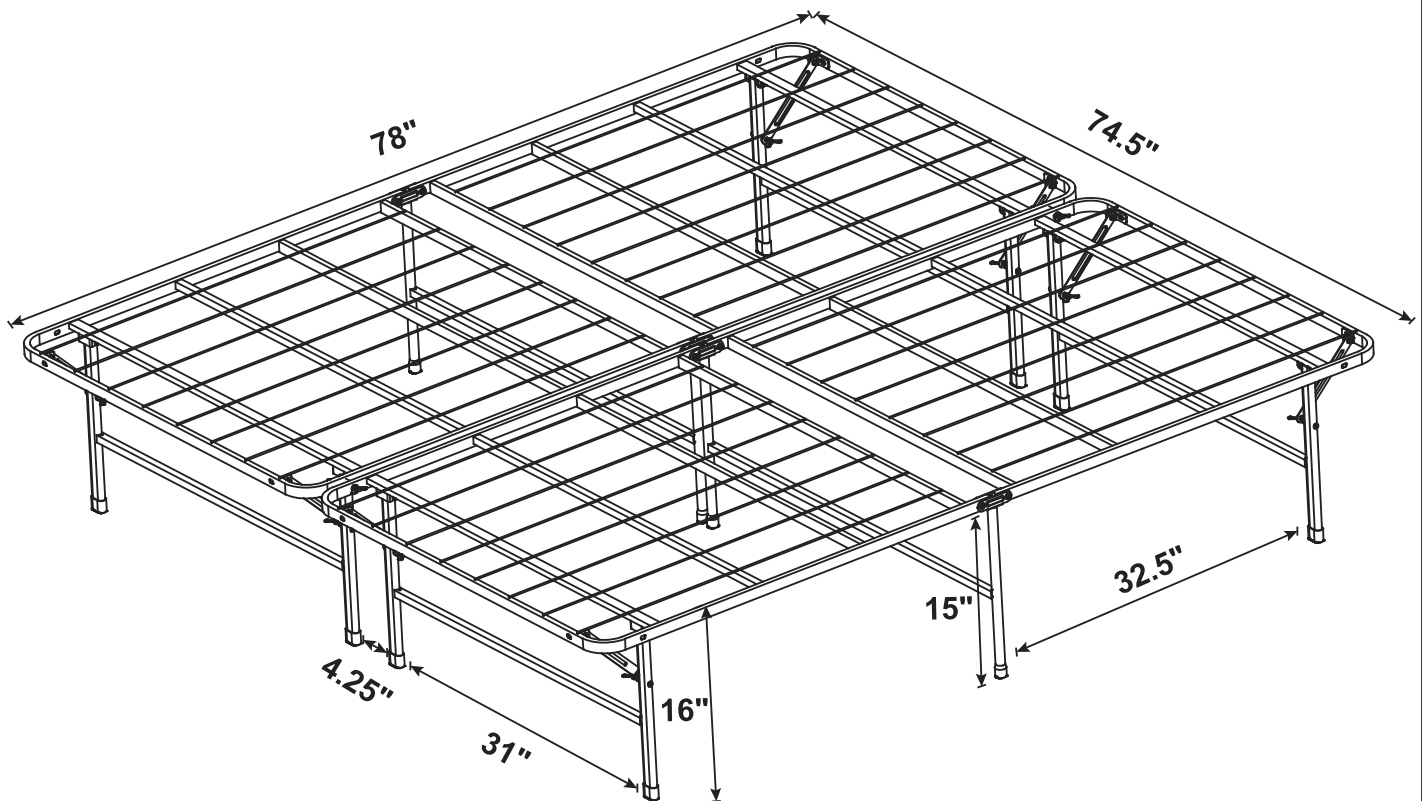
ITEM:305957KE

COASTER
FINE FURNITURE

STEP 5



ITEM:305957KE



Note: Dimension tolerance $\pm 5\%$