

**ASSEMBLY INSTRUCTIONS**  
**COASTER FINE FURNITURE**



*Fine Furniture for every stage of life*

**701982**  
**TV STAND**

# ITEM: 701982



## ASSEMBLY INSTRUCTIONS

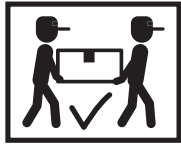
### ASSEMBLY TIPS:

1. Remove hardware from box and sort by size.
2. Please check to see that all hardware and parts are present prior to start of assembly.
3. Please follow attached instructions in the same sequence as numbered to assure fast & easy assembly.



### WARNING!

1. Don't attempt to repair or modify parts that are broken or defective. Please contact the store immediately.
2. This product is for home use only and not intended for commercial establishments.

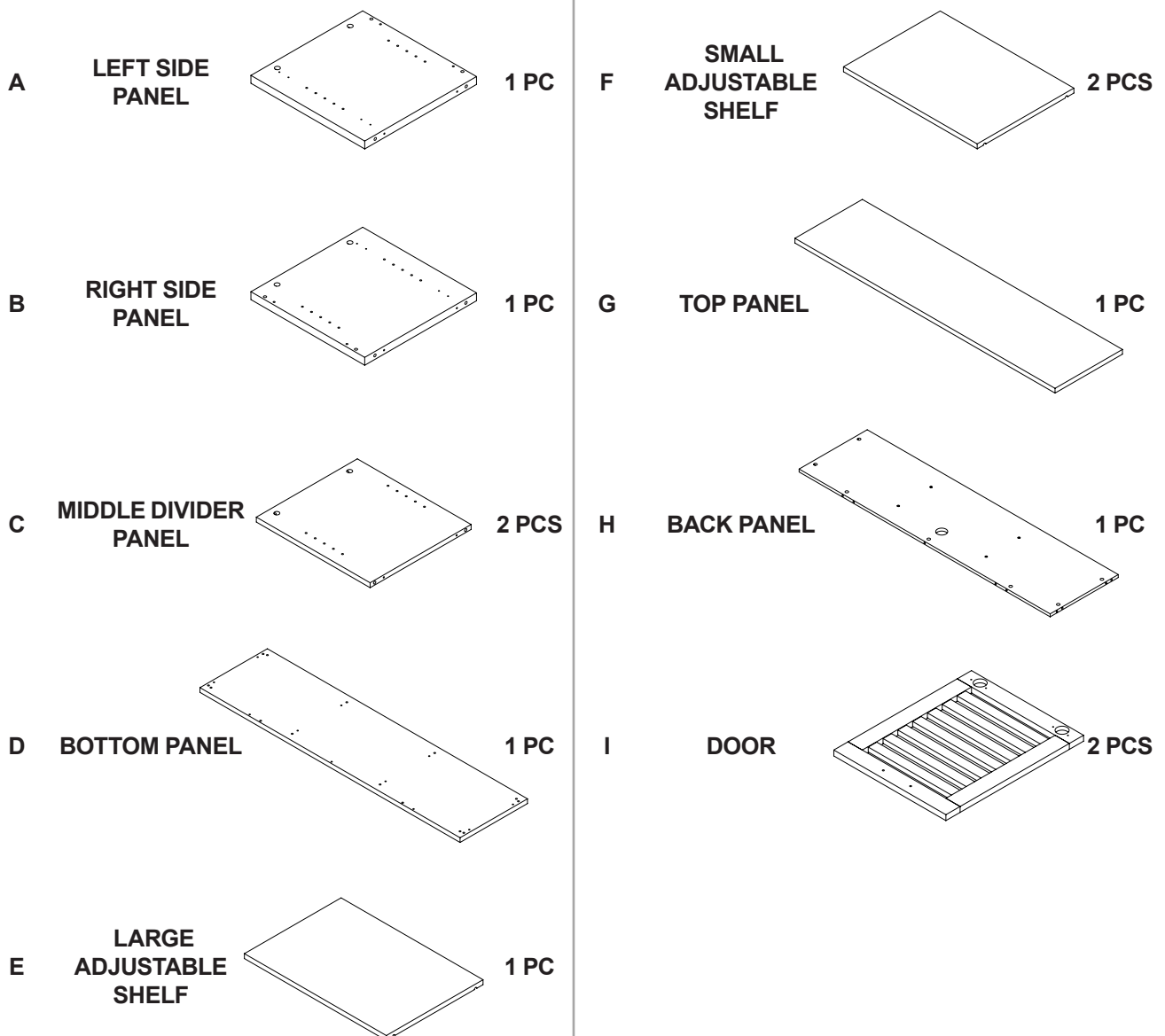


ASSEMBLY TIME

60 MINUTES

MAX TV SIZE: 65"

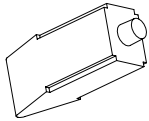

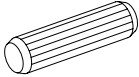
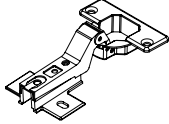
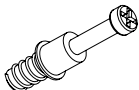
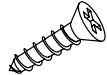
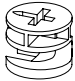
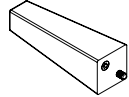
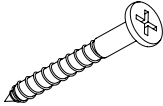
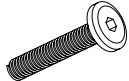
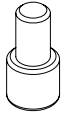

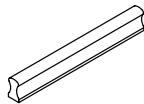
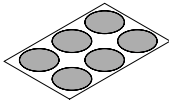
## PARTS IDENTIFICATION



### NOTE:

Phillips head screw driver is required in the assembly process; however, manufacturer does not provide this item.

## HARDWARE IDENTIFICATION

Z							
NO	DESCRIPTION	FIGURE	Q'TY	NO	DESCRIPTION	FIGURE	Q'TY
1	GLUE 40g		1 PC	8	HANDLE BOLT BLK		4 PCS
2	WOODEN DOWEL Ø8x30mm		24 PCS	9	HINGE Ø35mm SR		4 PCS
3	CAM BOLT Ø7x35.5mm SR		15 PCS	10	HINGE SCREW Ø4x15mm SR		16 PCS
4	CAM LOCK Ø15x12mm SR		15 PCS	11	LEG		4 PCS
5	SCREW Ø 4.5x42mm SR		15 PCS	12	BOLT M6x38mm BLK		4 PCS
6	PIN FOR ADJUSTABLE SHELF Ø4.9x15mm SR		12 PCS	13	ALLEN WRENCH (4mm SR)		1 PC
7	HANDLE L= 120mm BLK		2 PCS	14	STICKER Ø20mm		4 PCS

Z9, Z11 not included in blister packaging.

**NOTE:**

Phillips head screw driver is required in the assembly process; however, manufacturer does not provide this item.

# ITEM: 701982

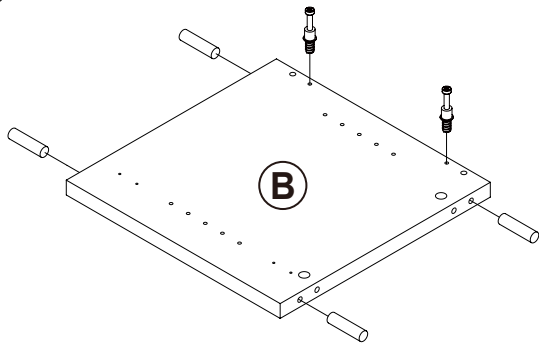
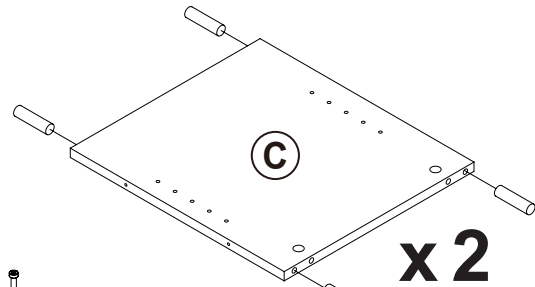
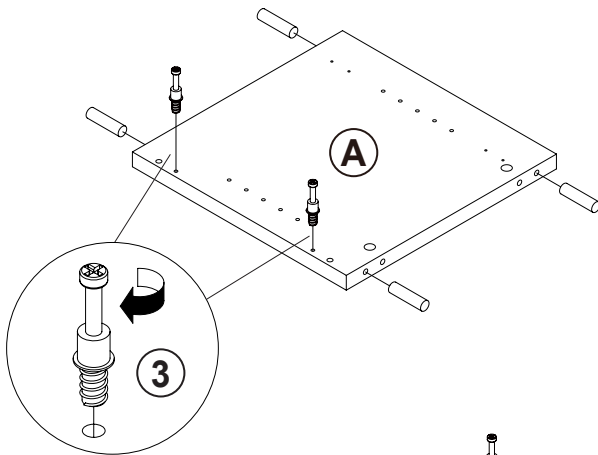
# COASTER®

FINE FURNITURE

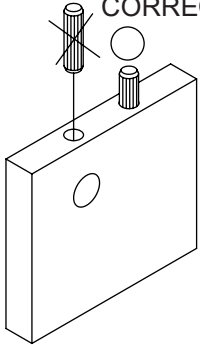
## STEP 1

**2**  
x 16

**3**  
x 4



INCORRECT  
CORRECT

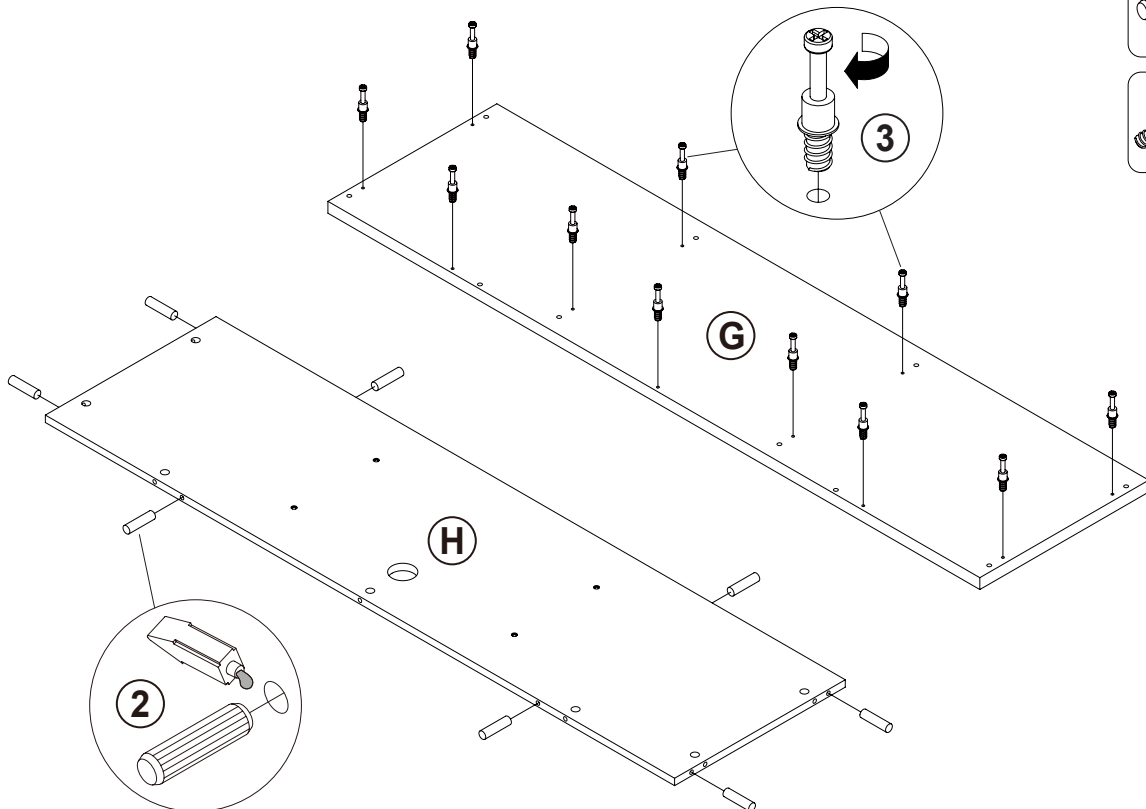


Apply glue on all wooden dowels to ensure integrity of the structure.

## STEP 2

**2**  
x 8

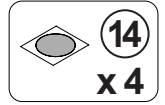
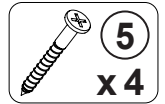
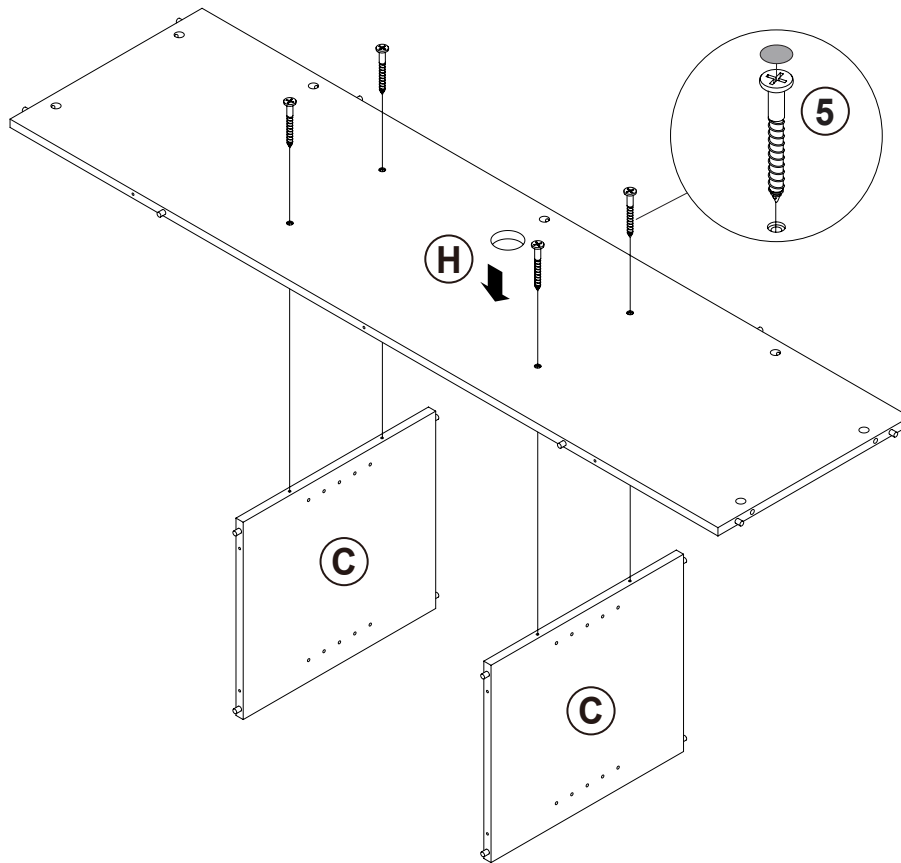
**3**  
x 11



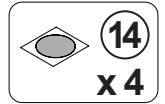
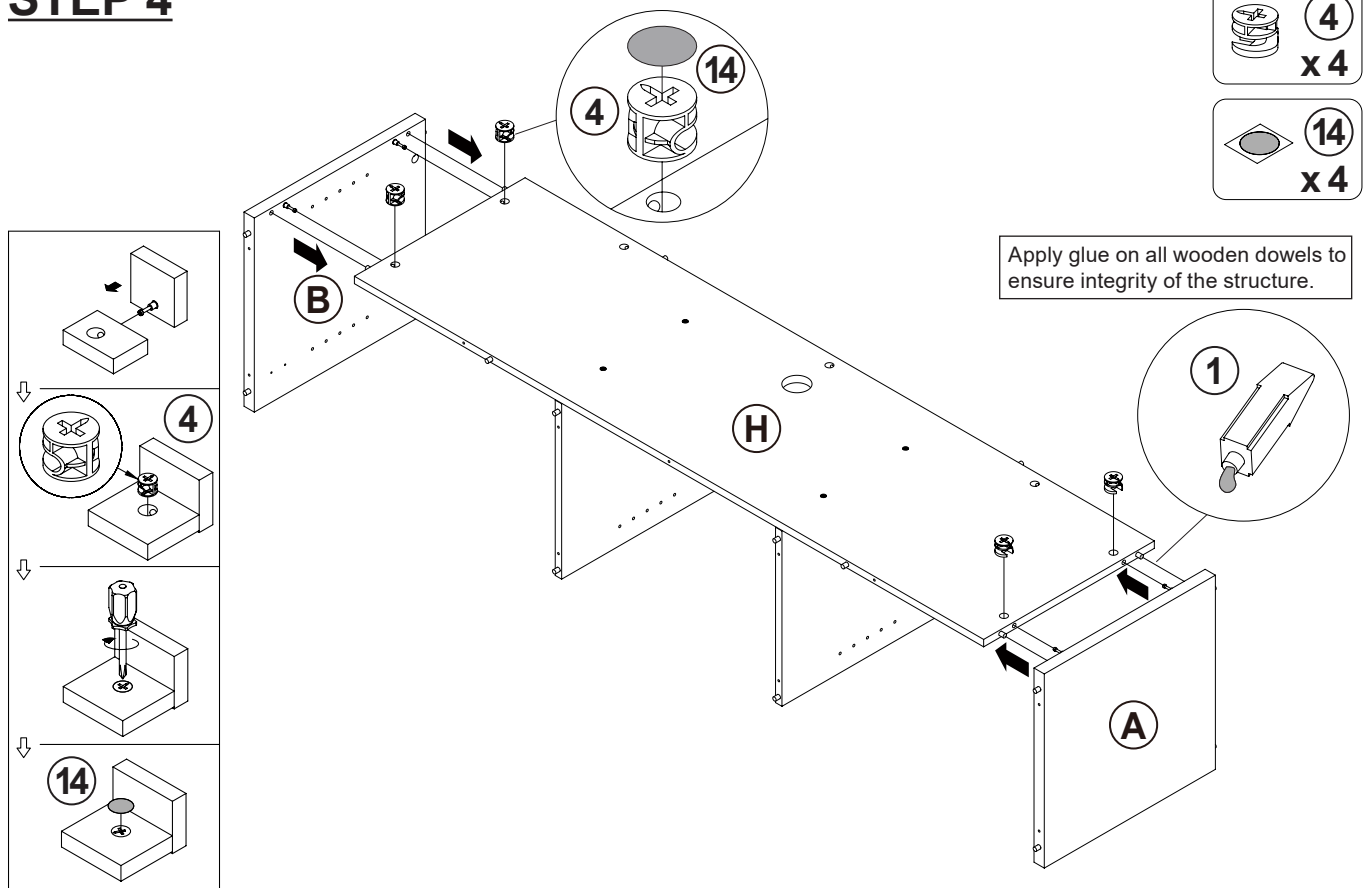
ITEM: 701982

**COASTER**  
FINE FURNITURE

**STEP 3**



**STEP 4**



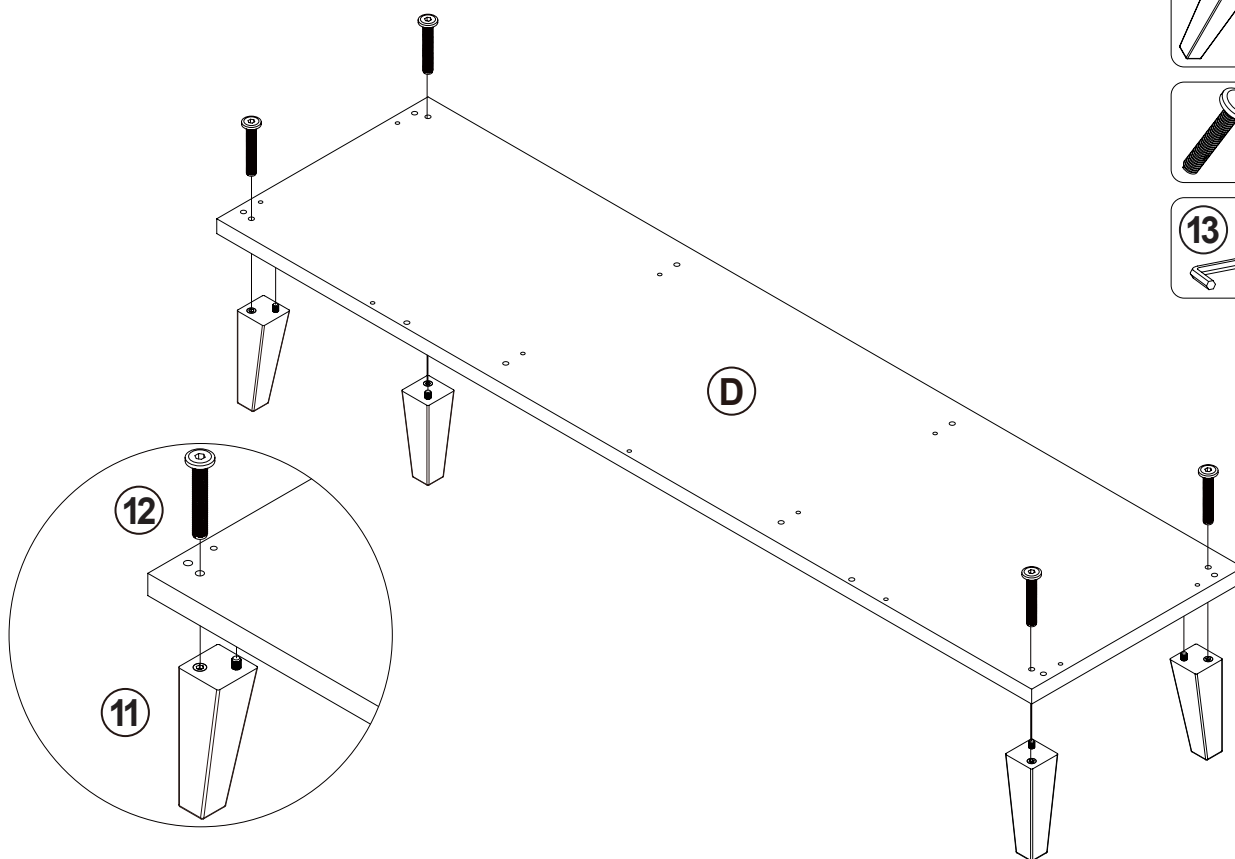
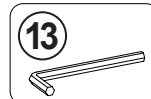
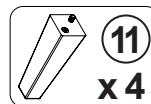
Apply glue on all wooden dowels to ensure integrity of the structure.

ITEM: 701982

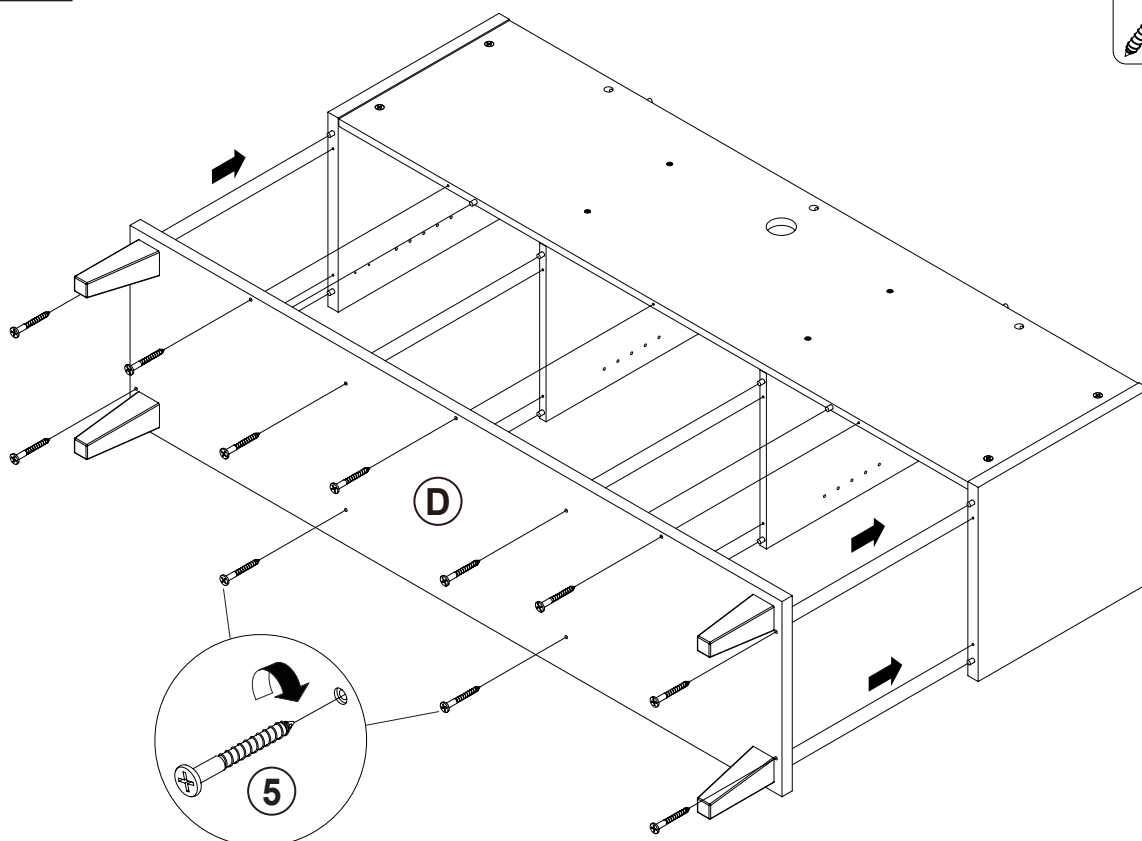
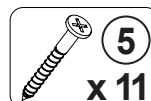
**COASTER**<sup>®</sup>

FINE FURNITURE

**STEP 5**



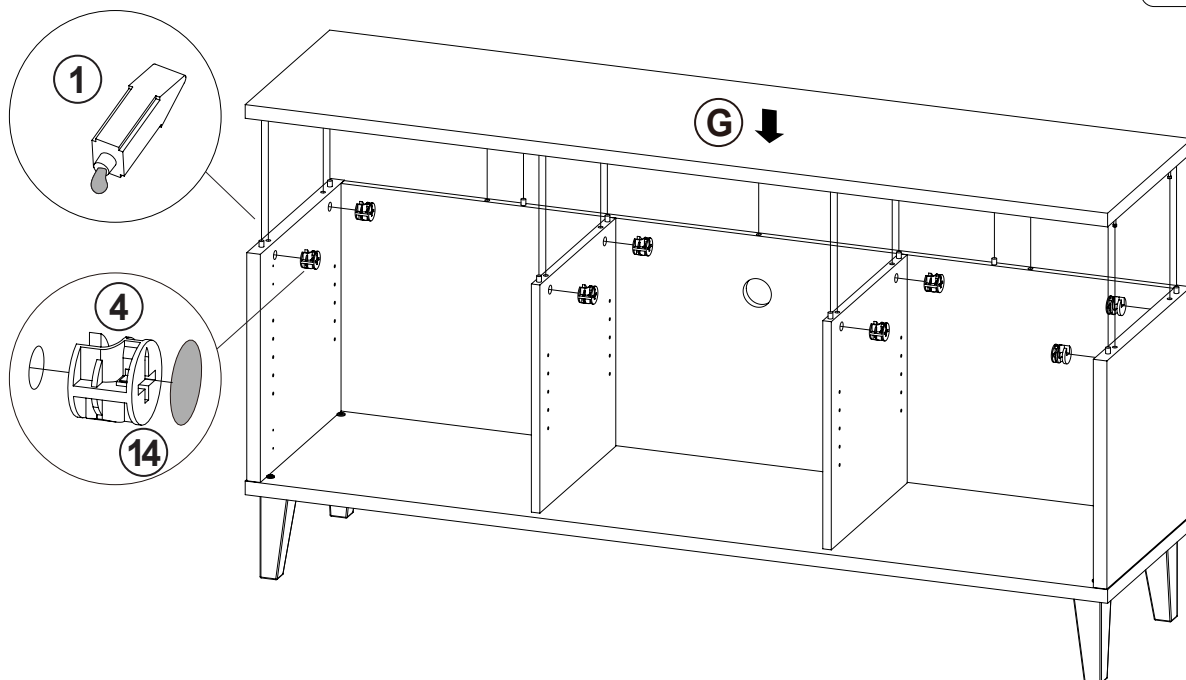
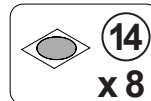
**STEP 6**



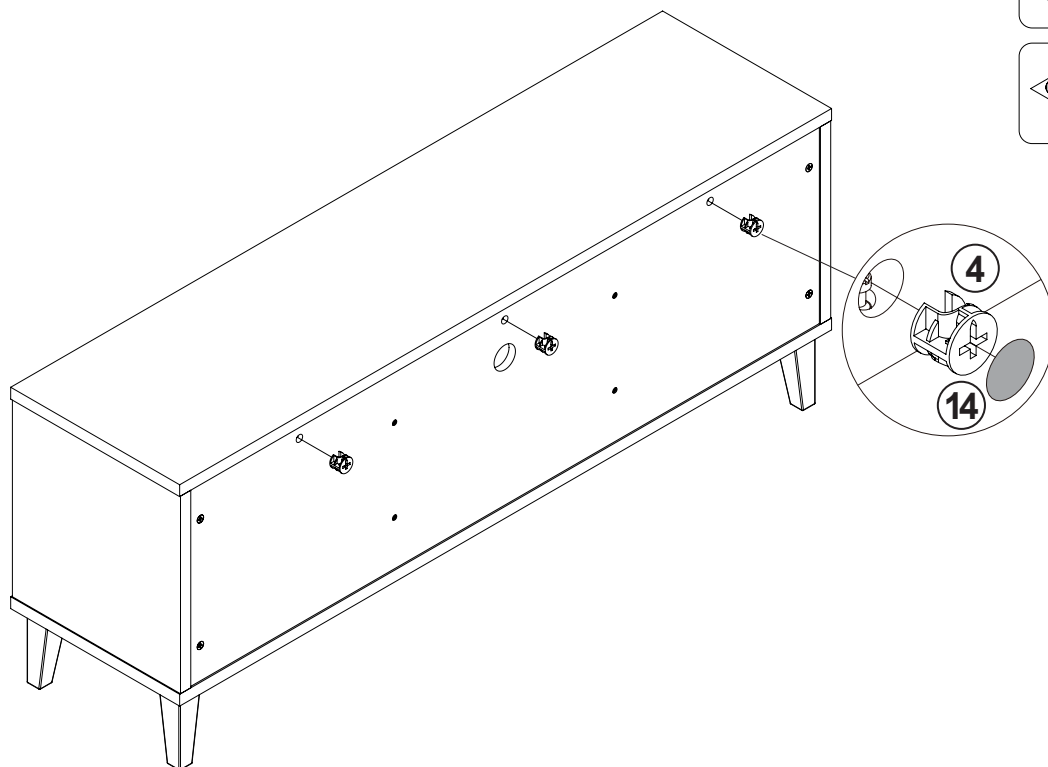
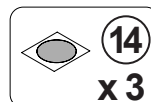
# ITEM: 701982

## STEP 7

Apply glue on all wooden dowels to ensure integrity of the structure.

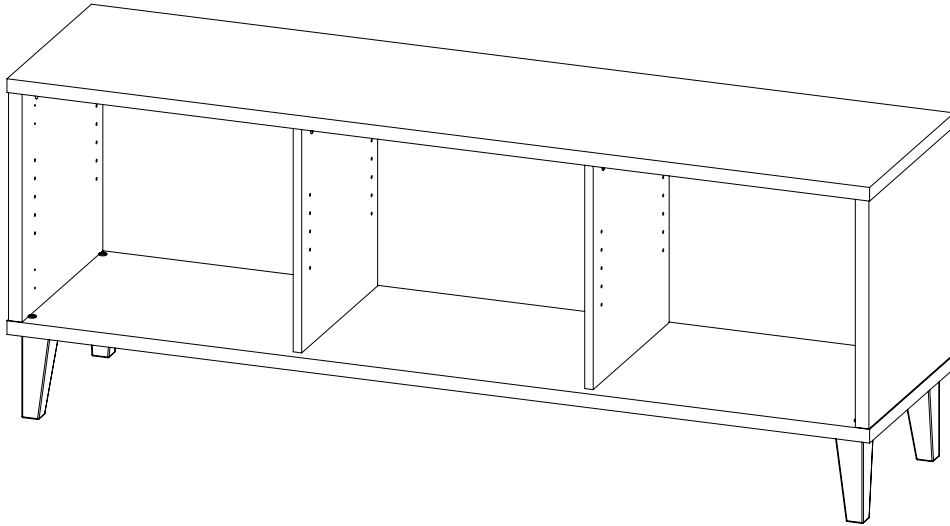


## STEP 8

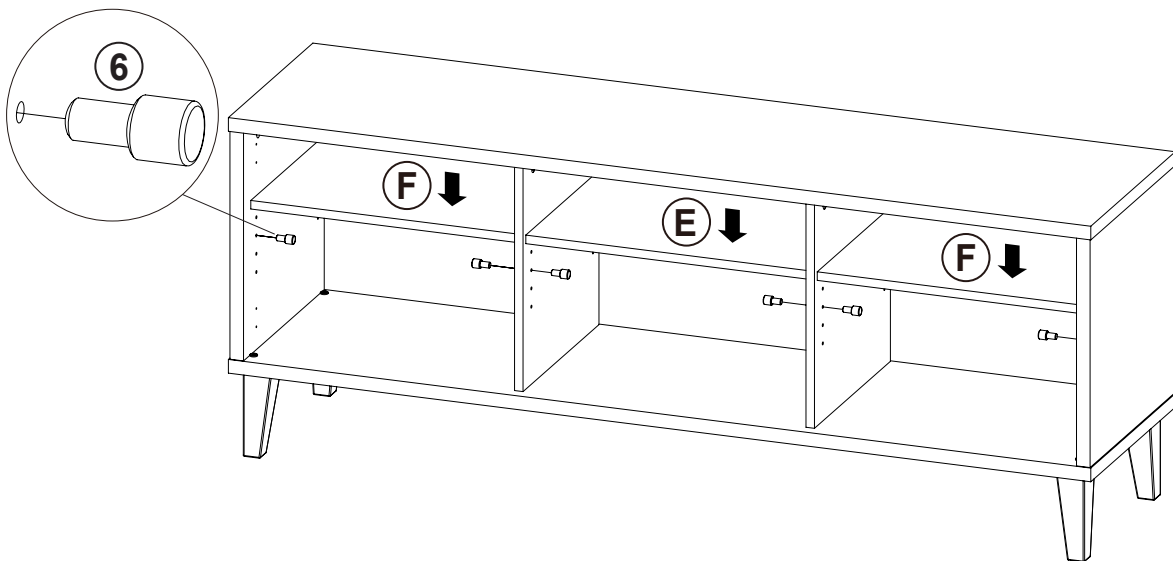
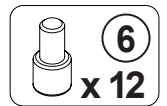


ITEM: 701982

**STEP 9**



**STEP 10**

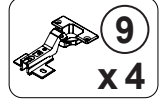
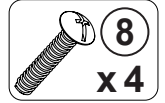
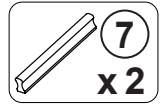
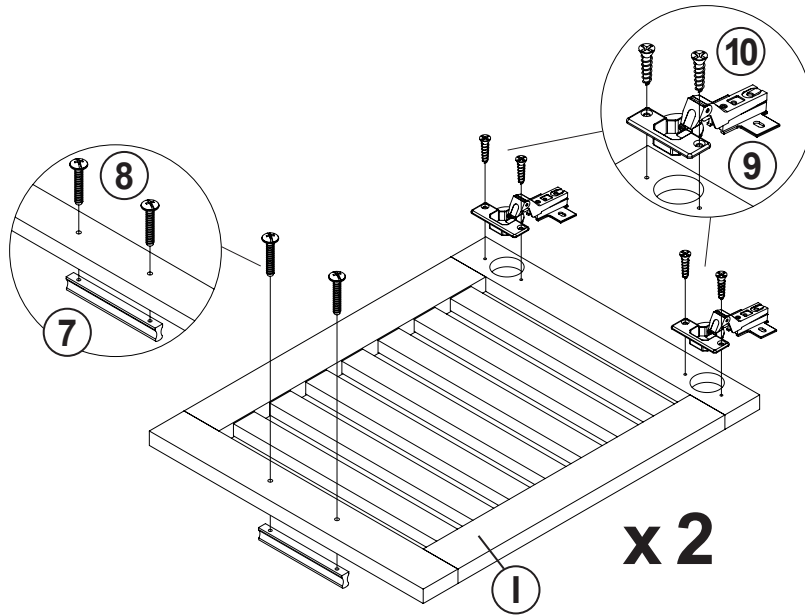




ITEM: 701982

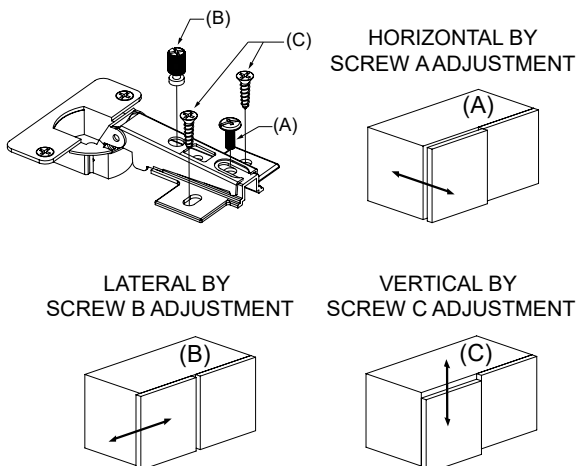
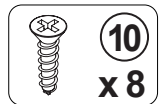
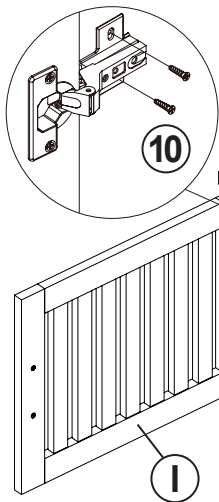
**COASTER**  
FINE FURNITURE

**STEP 11**



x 2

**STEP 12**

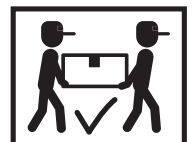
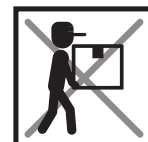
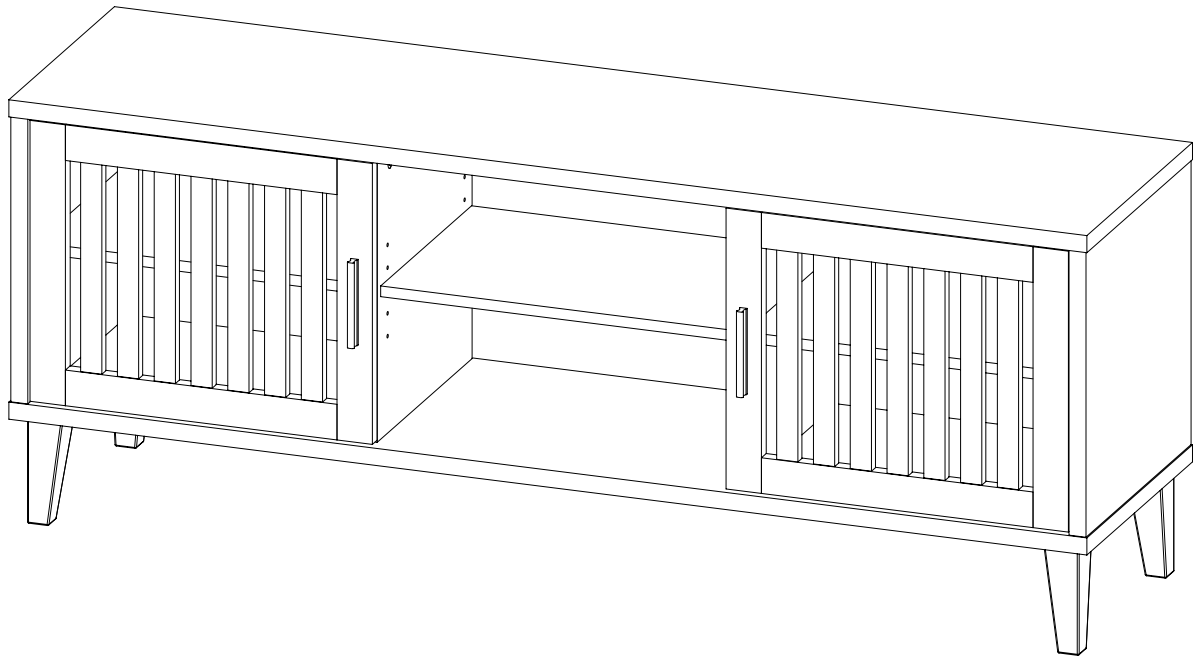


ITEM: 701982

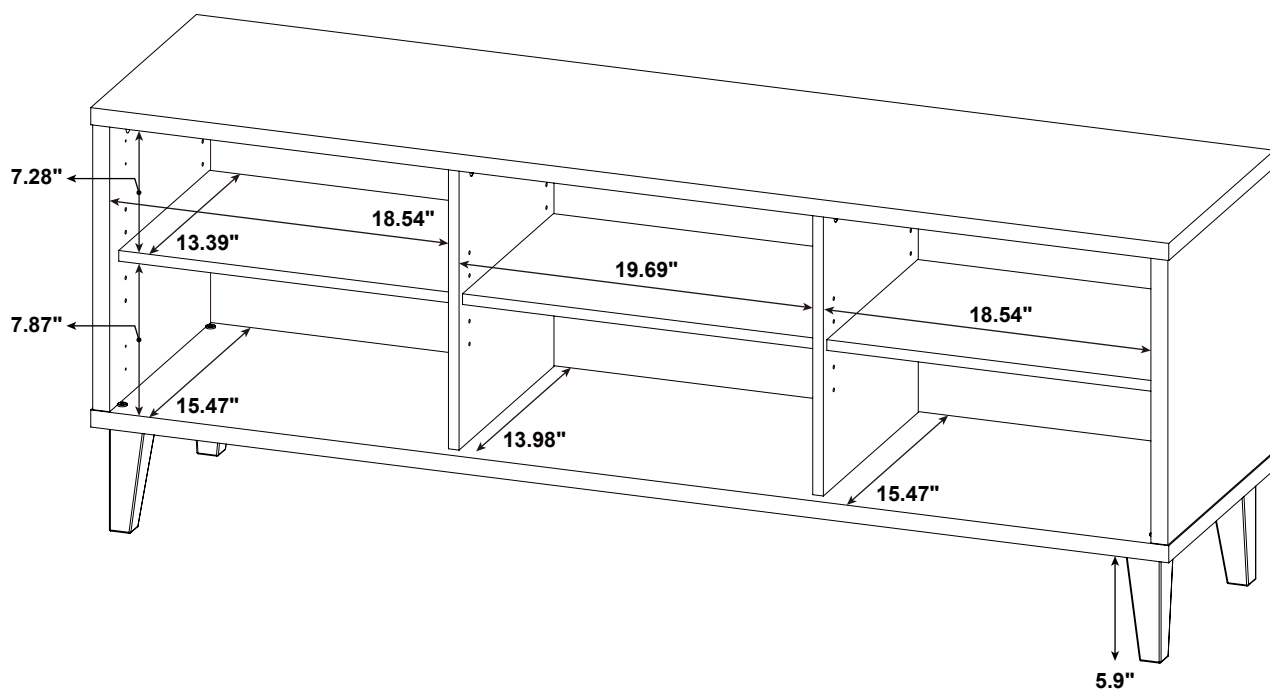
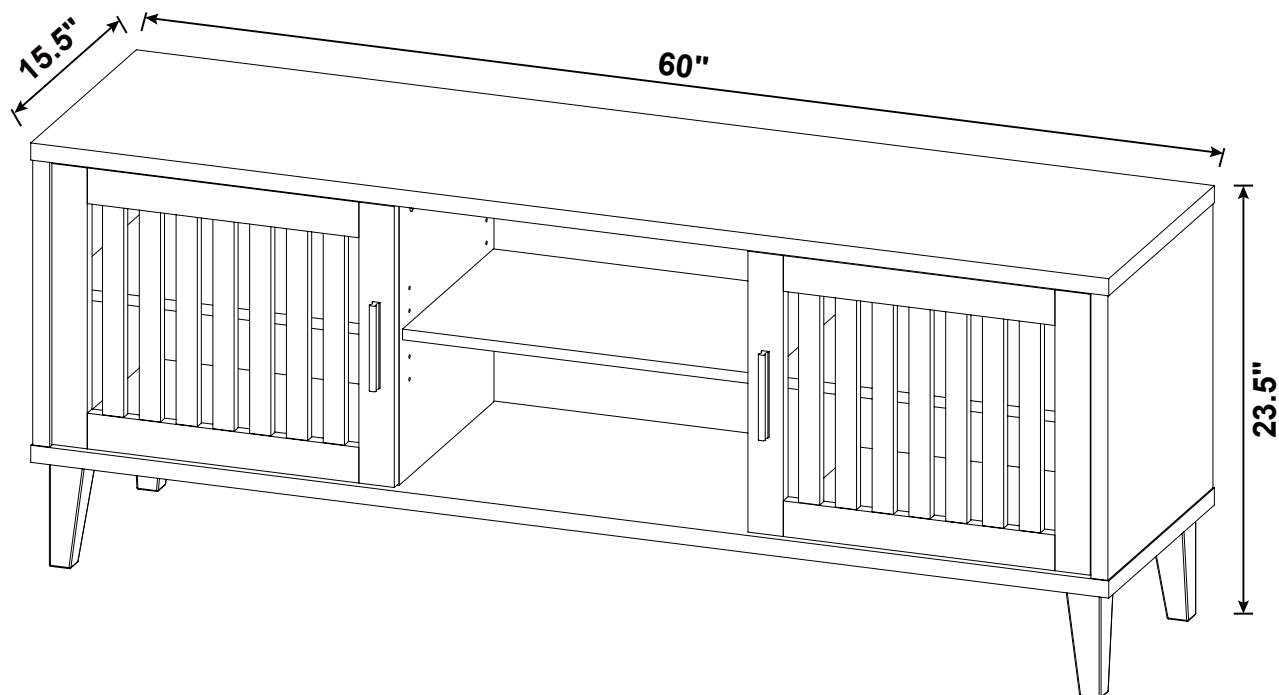


**STEP 13**

**COMPLETE**



ITEM: 701982



Note : Dimension tolerance  $\pm 5\%$