

**ASSEMBLY INSTRUCTIONS**  
**COASTER FINE FURNITURE**



*Fine Furniture for every stage of life*

**724114**  
**MEDIA TOWER**

# ITEM: 724114



## ASSEMBLY INSTRUCTIONS

### ASSEMBLY TIPS:

1. Remove hardware from box and sort by size.
2. Please check to see that all hardware and parts are present prior to start of assembly.
3. Please follow attached instructions in the same sequence as numbered to assure fast & easy assembly.



### WARNING!

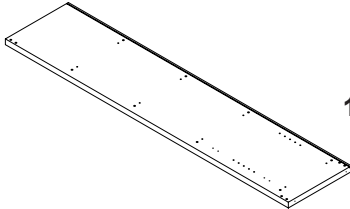
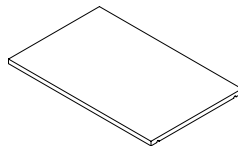
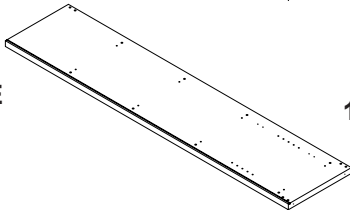
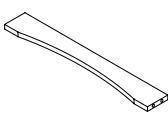
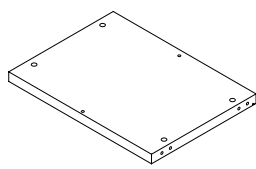
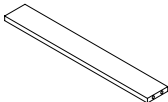
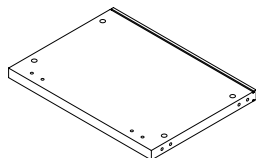
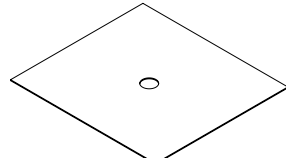
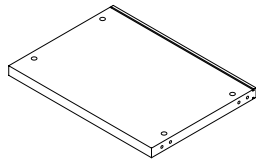
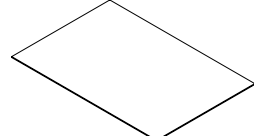
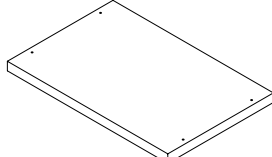
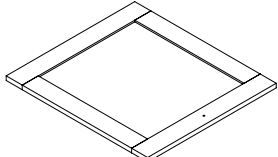
1. Don't attempt to repair or modify parts that are broken or defective. Please contact the store immediately.
2. This product is for home use only and not intended for commercial establishments.



ASSEMBLY TIME

60 MINUTES

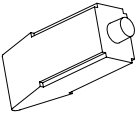
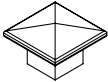
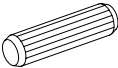

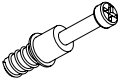
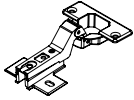


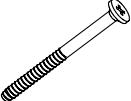
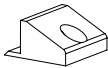
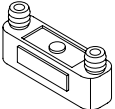


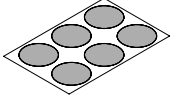
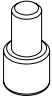
## PARTS IDENTIFICATION

A	LEFT SIDE PANEL		1 PC	G	ADJUSTABLE SHELF		1 PC
B	RIGHT SIDE PANEL		1 PC	H	FRONT TOP AND BOTTOM CROSSBAR		2 PCS
C	BOTTOM PANEL		1 PC	I	BACK CROSS BRACE		1 PC
D	LOWER CROSS PANEL		1 PC	J	LOWER BACK PANEL		1 PC
E	UPPER CROSS PANEL		2 PCS	K	UPPER BACK PANEL		3 PCS
F	TOP PANEL		1 PC	L	DOOR		1 PC

### NOTE:

Phillips head screw driver is required in the assembly process; however, manufacturer does not provide this item.

## HARDWARE IDENTIFICATION

Z							
NO	DESCRIPTION	FIGURE	Q'TY	NO	DESCRIPTION	FIGURE	Q'TY
1	GLUE 40g		1 PC	9	HANDLE BLK		1 PC
2	WOODEN DOWEL Ø8x30mm		35 PCS	10	HANDLE BOLT BLK		1 PC
3	CAM BOLT Ø7x35.5mm SR		16 PCS	11	HINGE Ø35mm SR		2 PCS
4	CAM LOCK Ø15x12mm SR		16 PCS	12	HINGE SCREW Ø4x15mm SR		8 PCS
5	BOLT Ø9.5x55mm SR		4 PCS	13	FIXER		6 PCS
6	DOOR CATCH		1 PC	14	FIXER SCREW Ø3x19mm SR		6 PCS
7	PLASTIC FEET Ø15mm		4 PCS	15	STICKER Ø20mm		3 PCS
8	PIN FOR ADJUSTABLE SHELF Ø4.9x15mm SR		4 PCS				

Z11 not included in blister packaging.

**NOTE:**

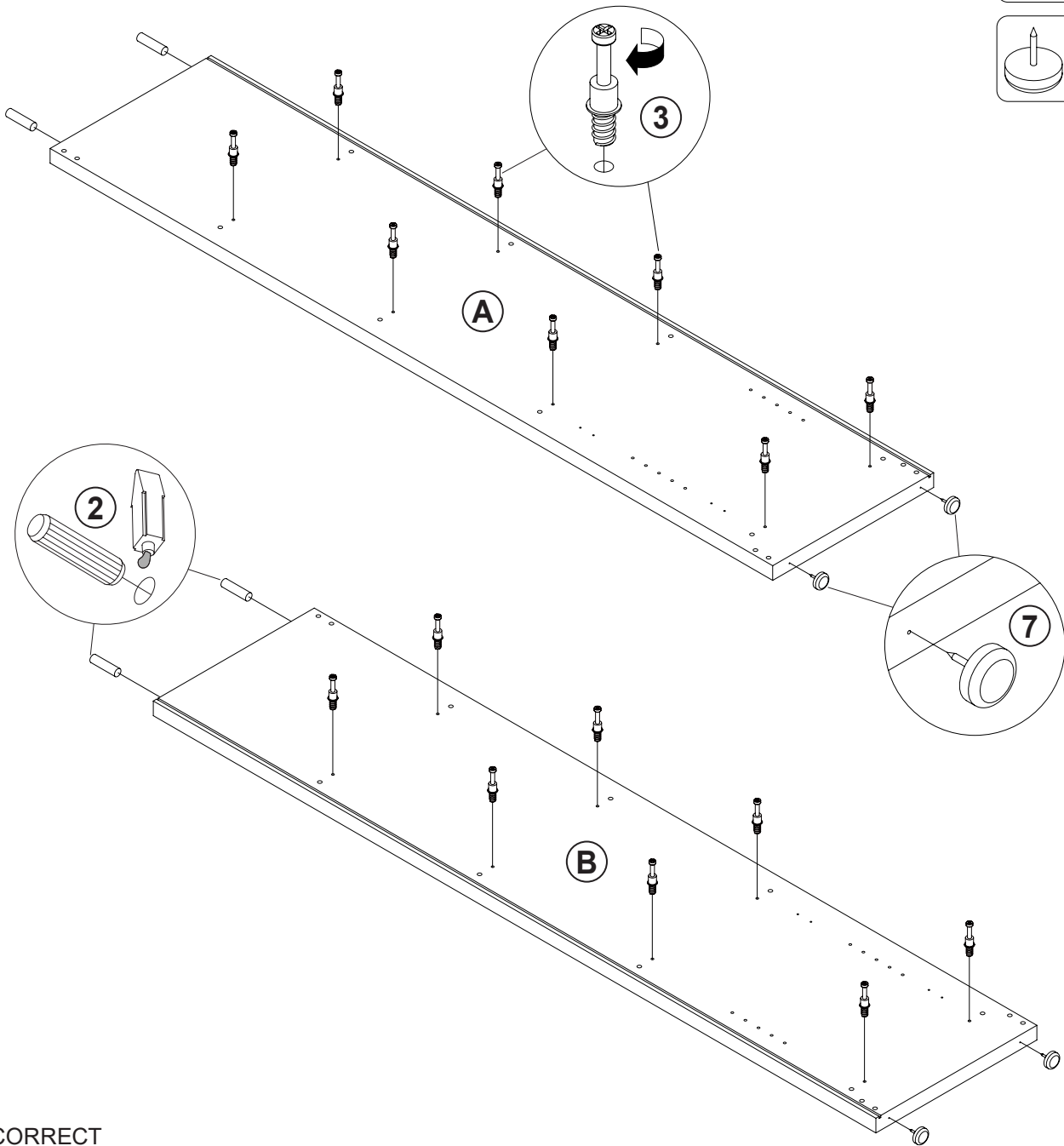
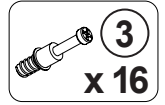
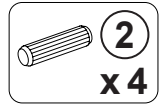
Phillips head screw driver is required in the assembly process; however, manufacturer does not provide this item.

# ITEM: 724114

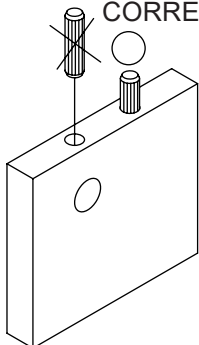
# COASTER®

FINE FURNITURE

## STEP 1



INCORRECT  
CORRECT

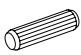


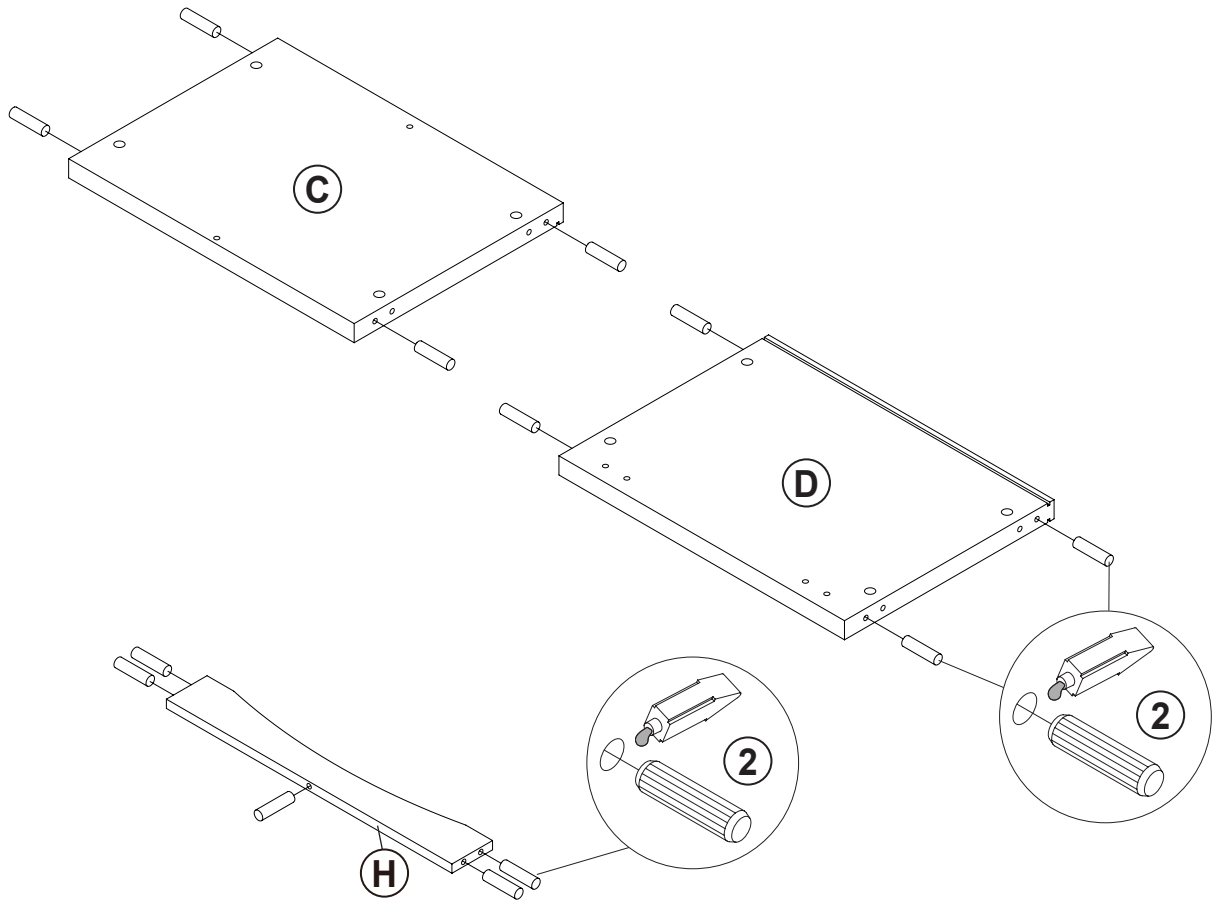
Apply glue on all wooden dowels to ensure integrity of the structure.

ITEM: 724114

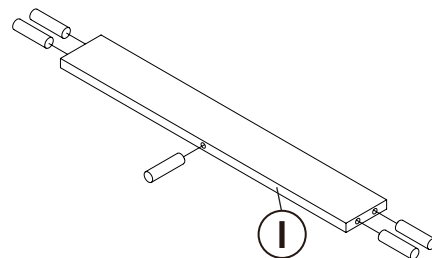
**COASTER**  
FINE FURNITURE

**STEP 2**

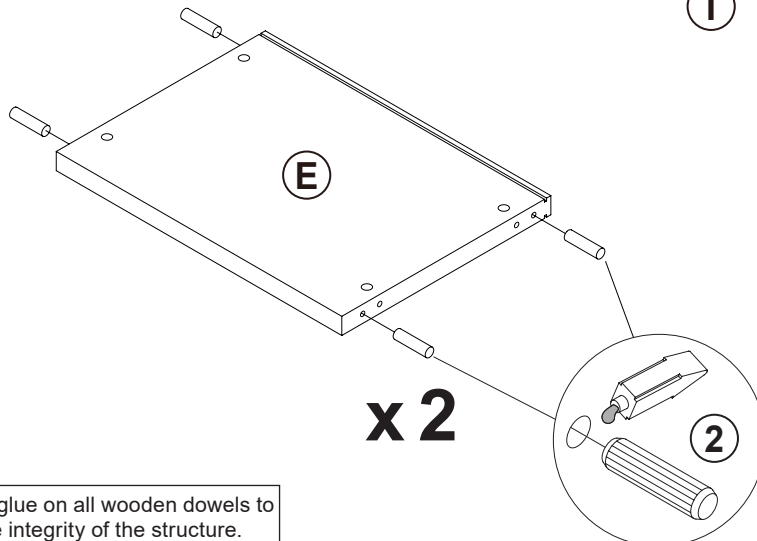
 **2**  
**x 31**



**x 2**

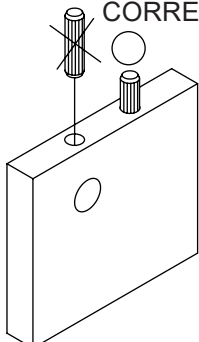


**I**



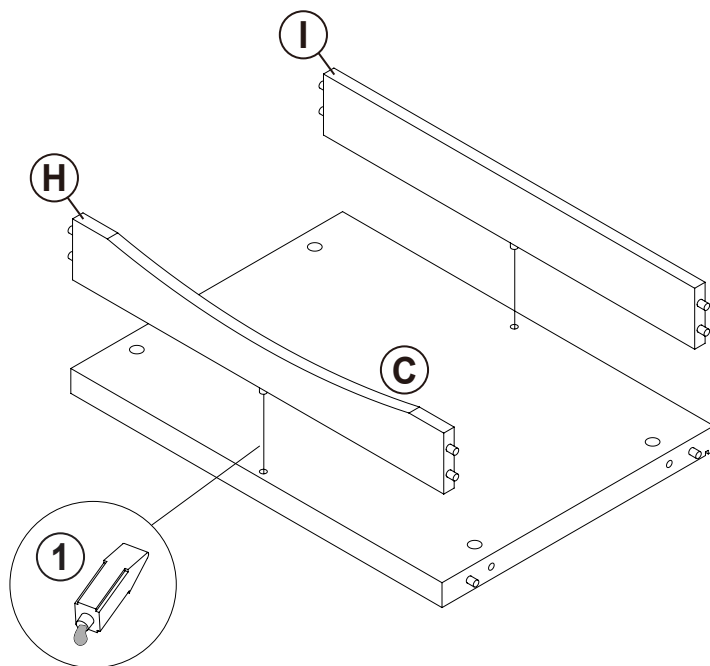
**x 2**

INCORRECT  
CORRECT



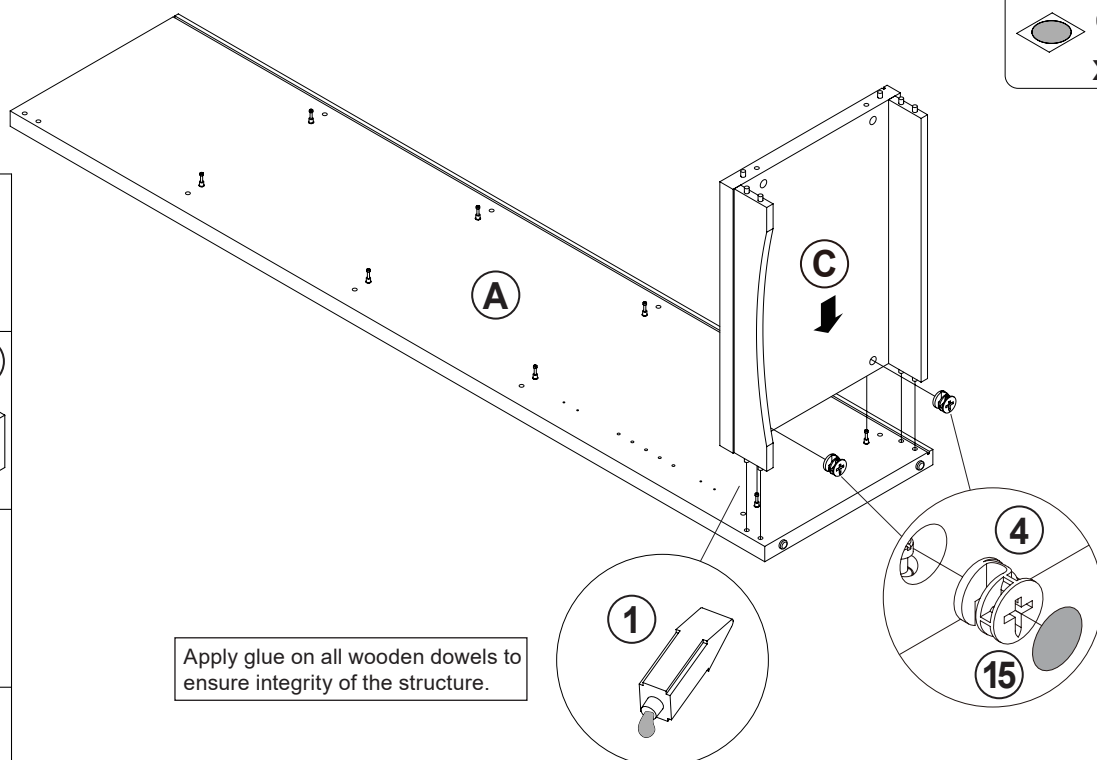
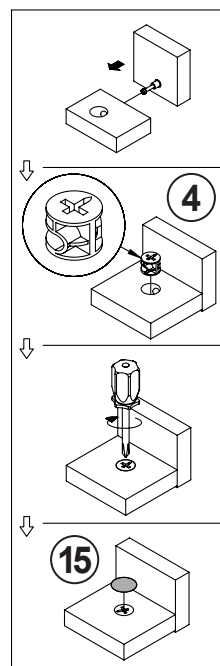
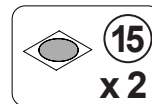
Apply glue on all wooden dowels to ensure integrity of the structure.

## STEP 3



Apply glue on all wooden dowels to ensure integrity of the structure.

## STEP 4



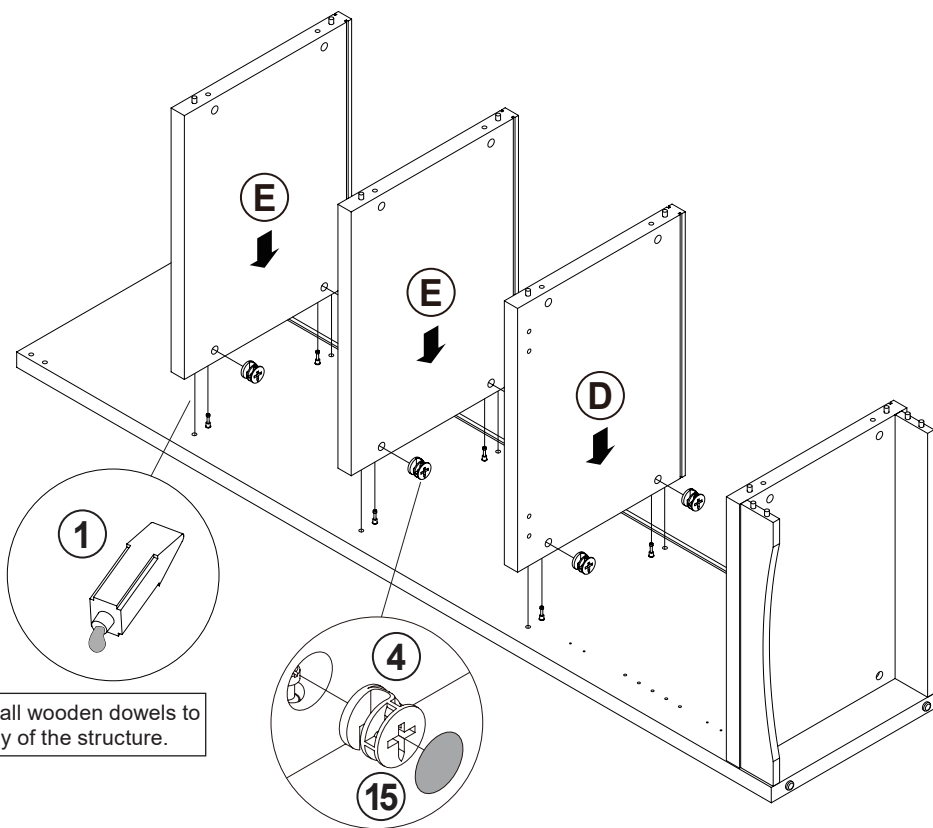
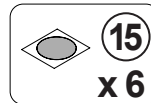
Apply glue on all wooden dowels to ensure integrity of the structure.

ITEM: 724114

**COASTER**<sup>®</sup>

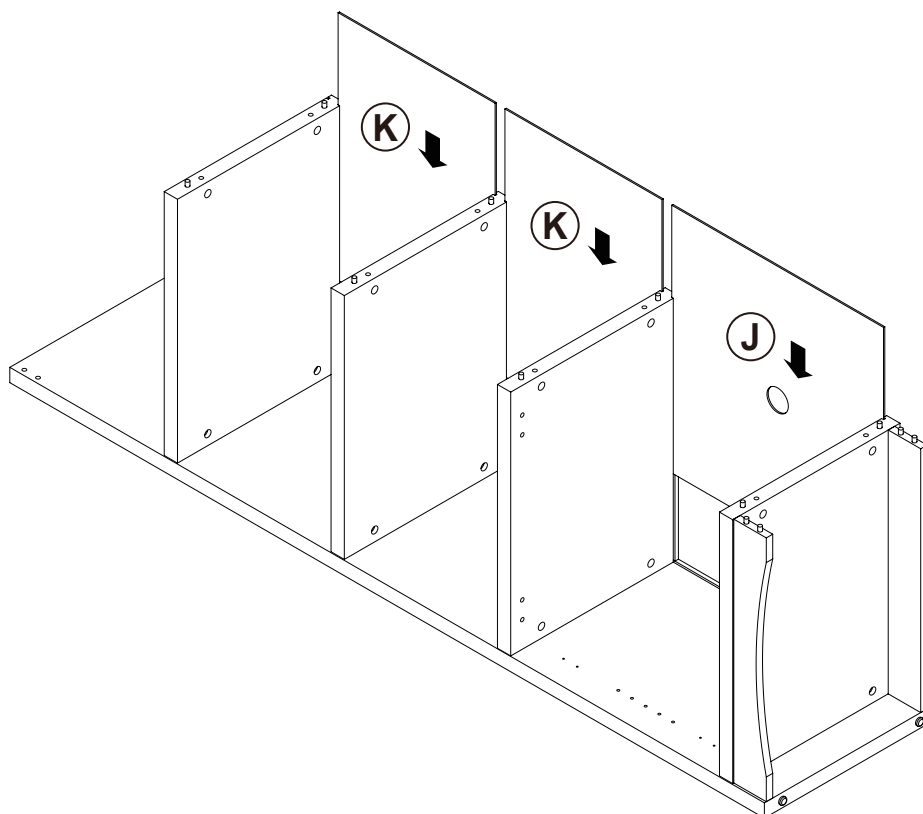
FINE FURNITURE

**STEP 5**



Apply glue on all wooden dowels to ensure integrity of the structure.

**STEP 6**

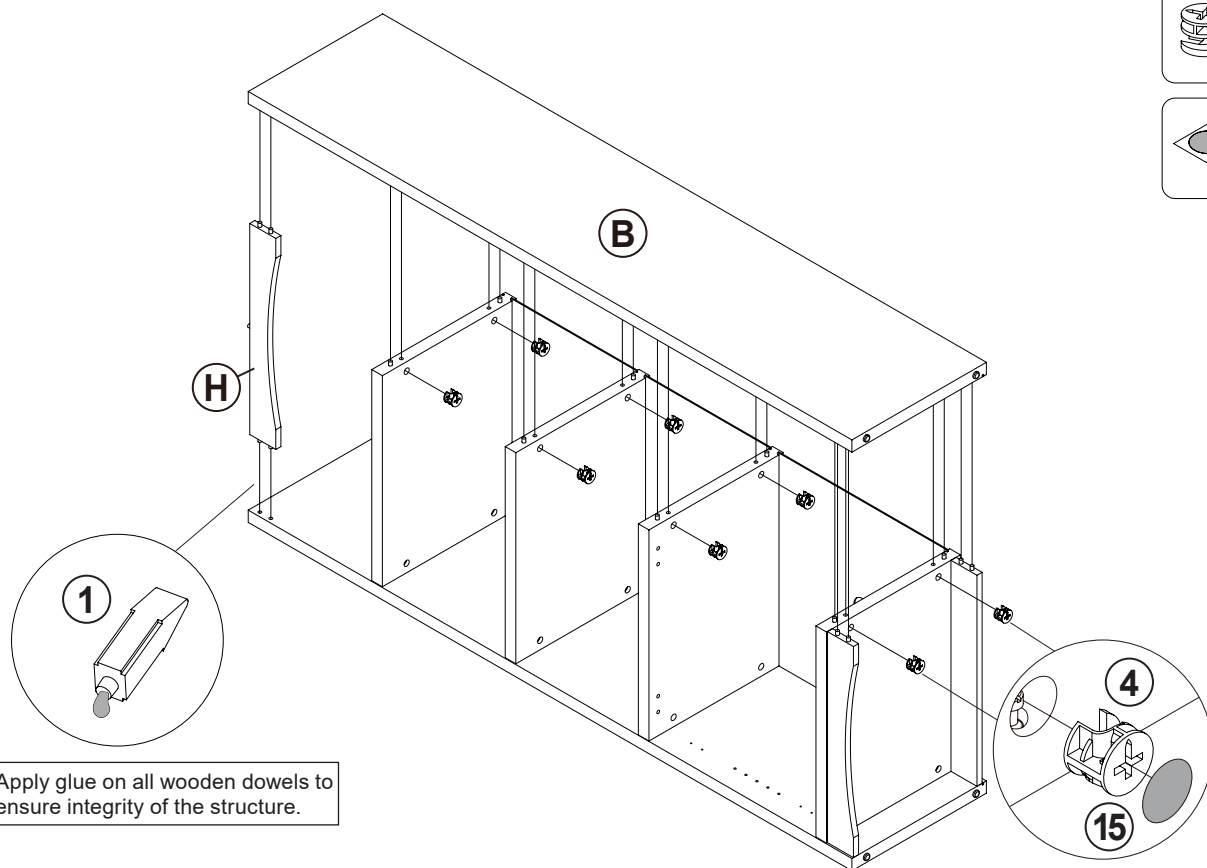
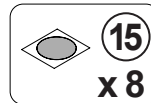


ITEM: 724114

**COASTER**<sup>®</sup>

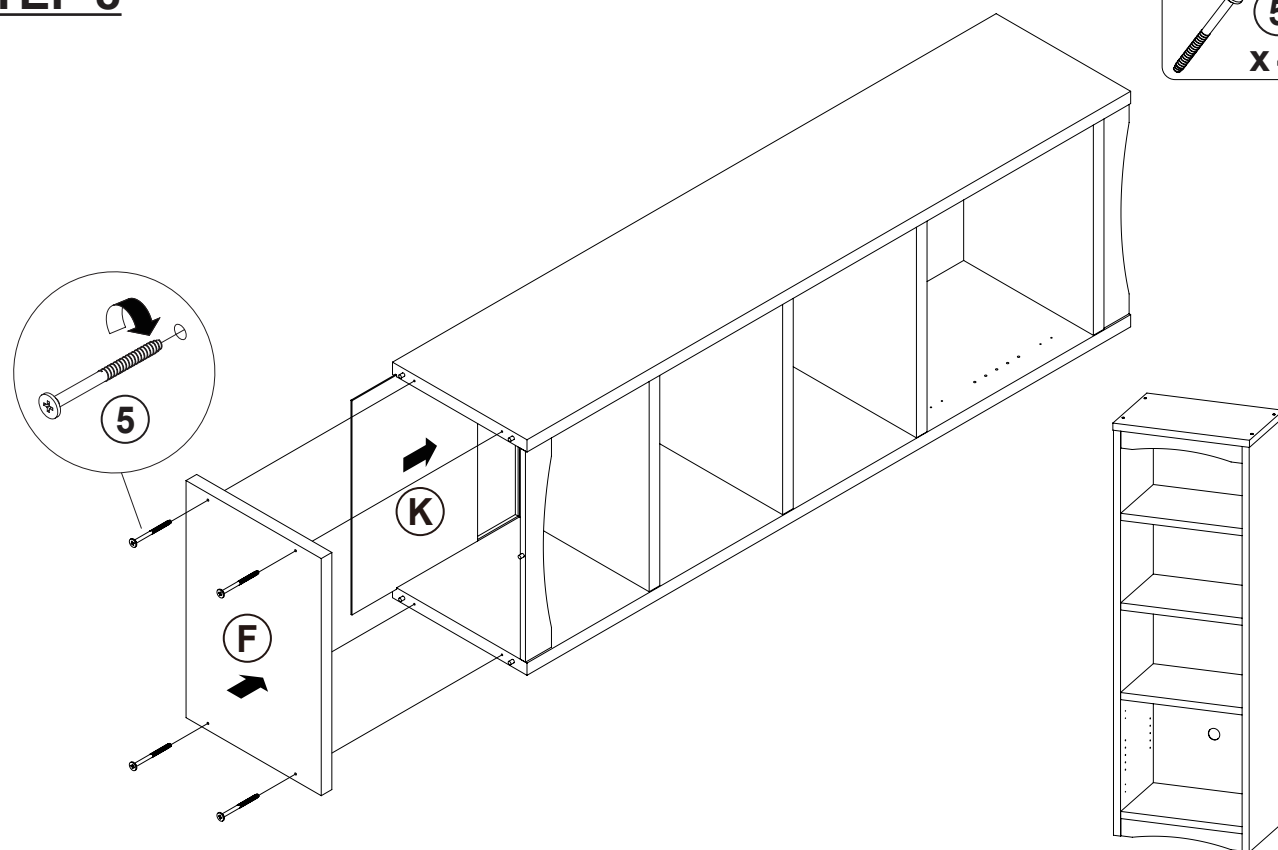
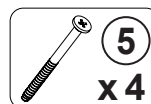
FINE FURNITURE

**STEP 7**



Apply glue on all wooden dowels to ensure integrity of the structure.

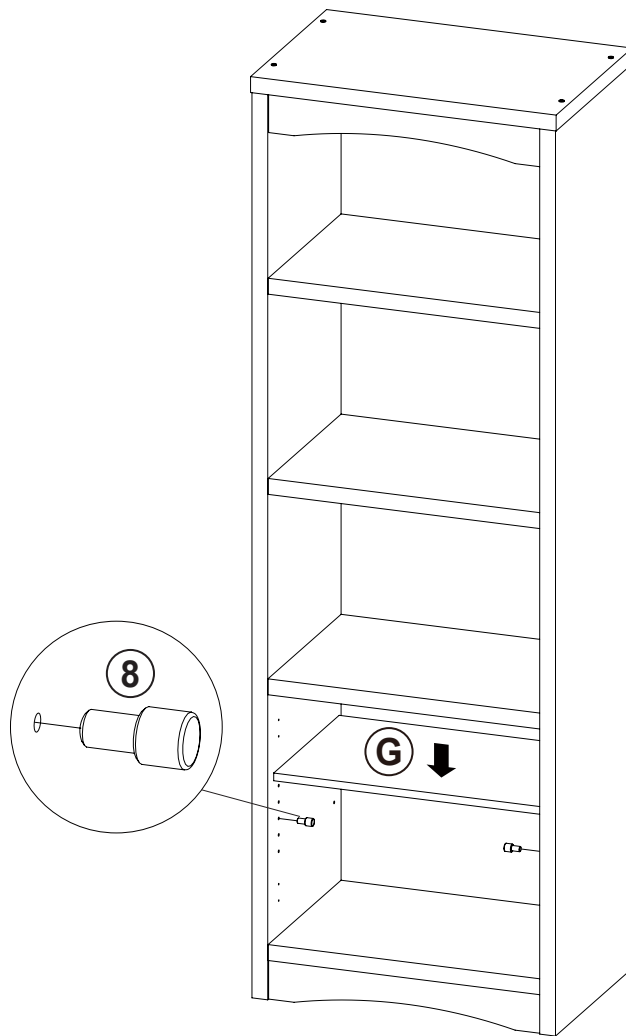
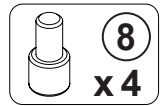
**STEP 8**



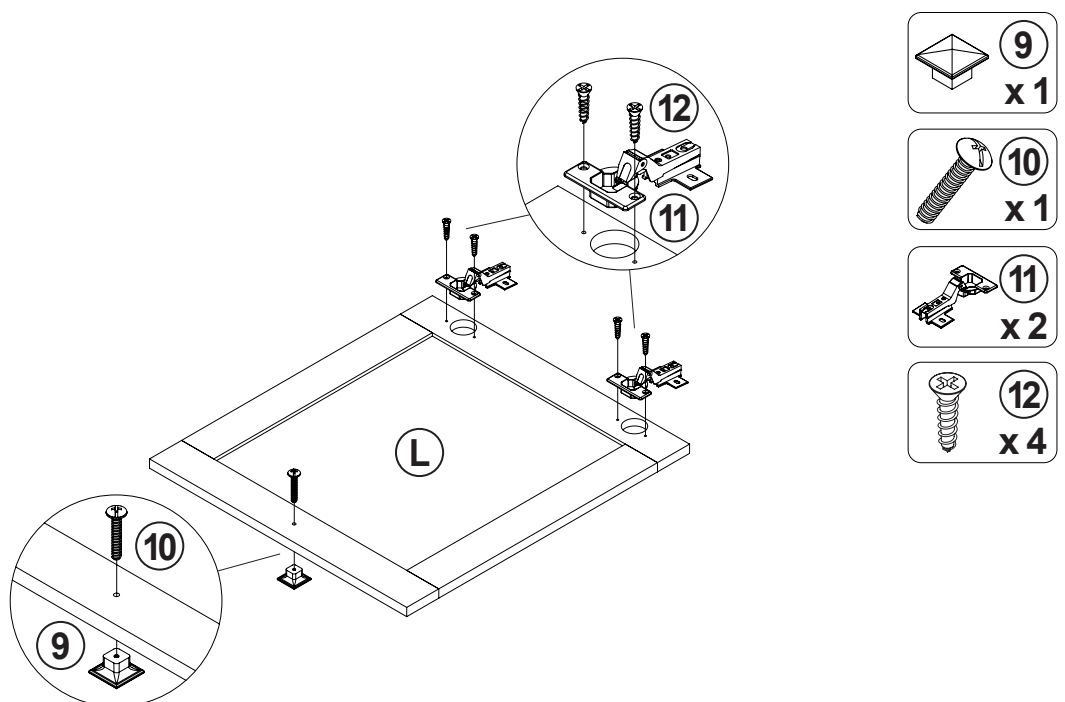


ITEM: 724114

**STEP 9**



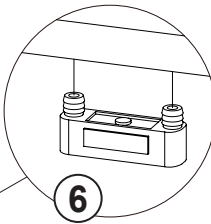
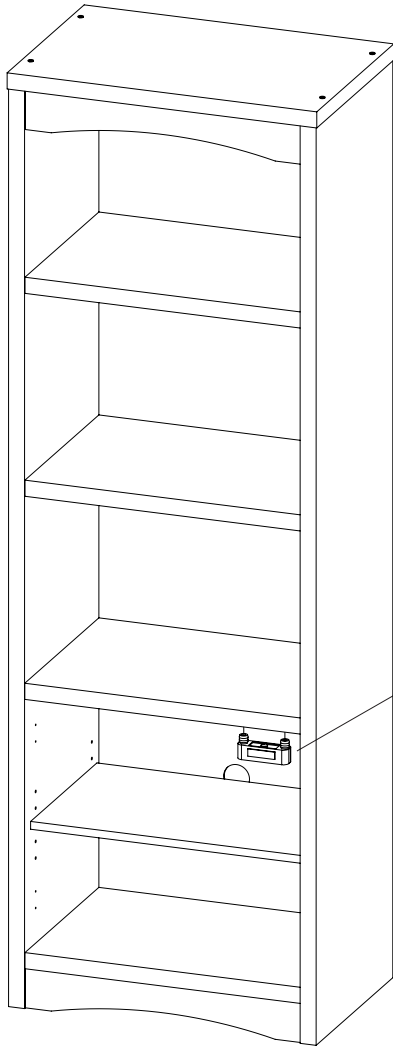
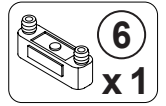
**STEP 10**



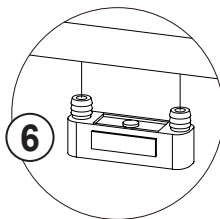
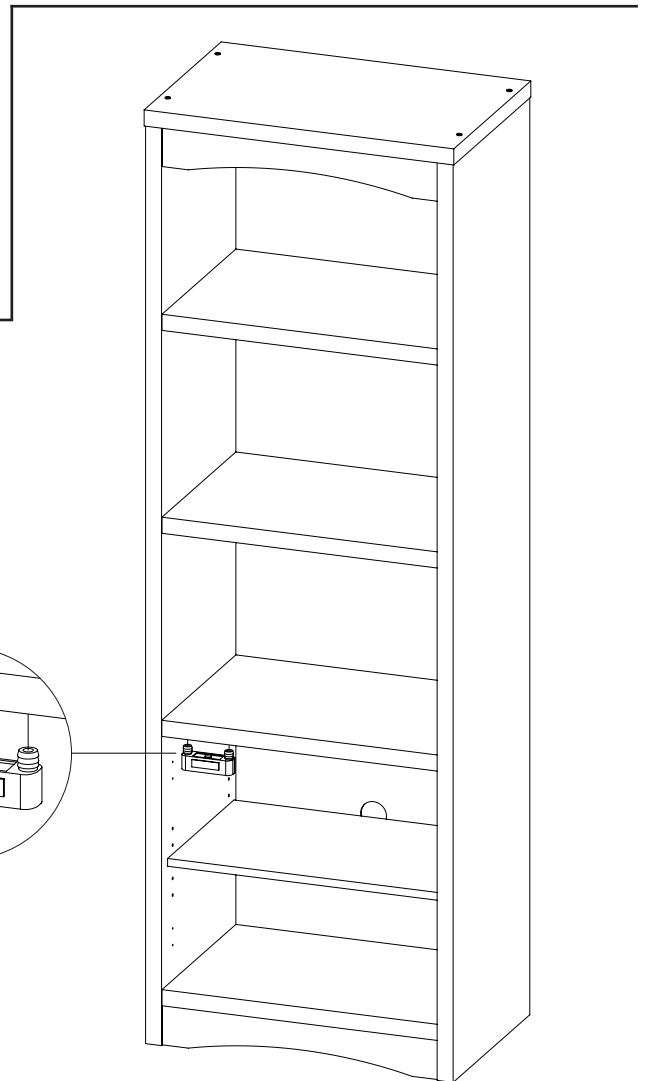
ITEM: 724114

**STEP 11**

LEFT



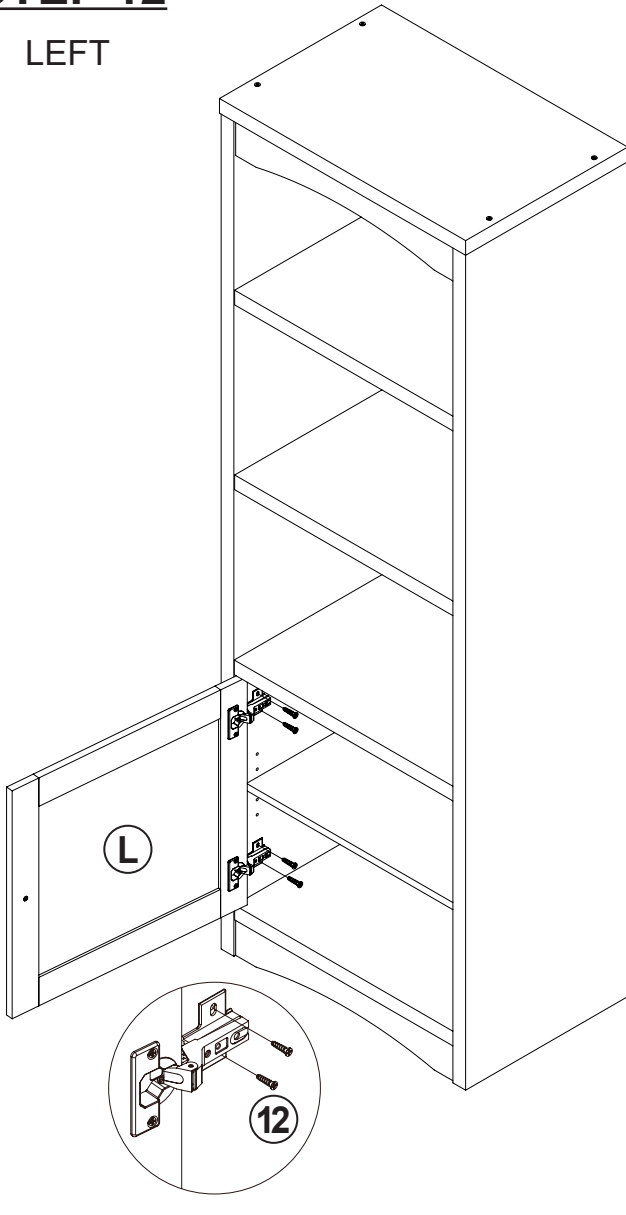
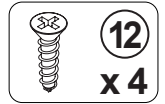
RIGHT



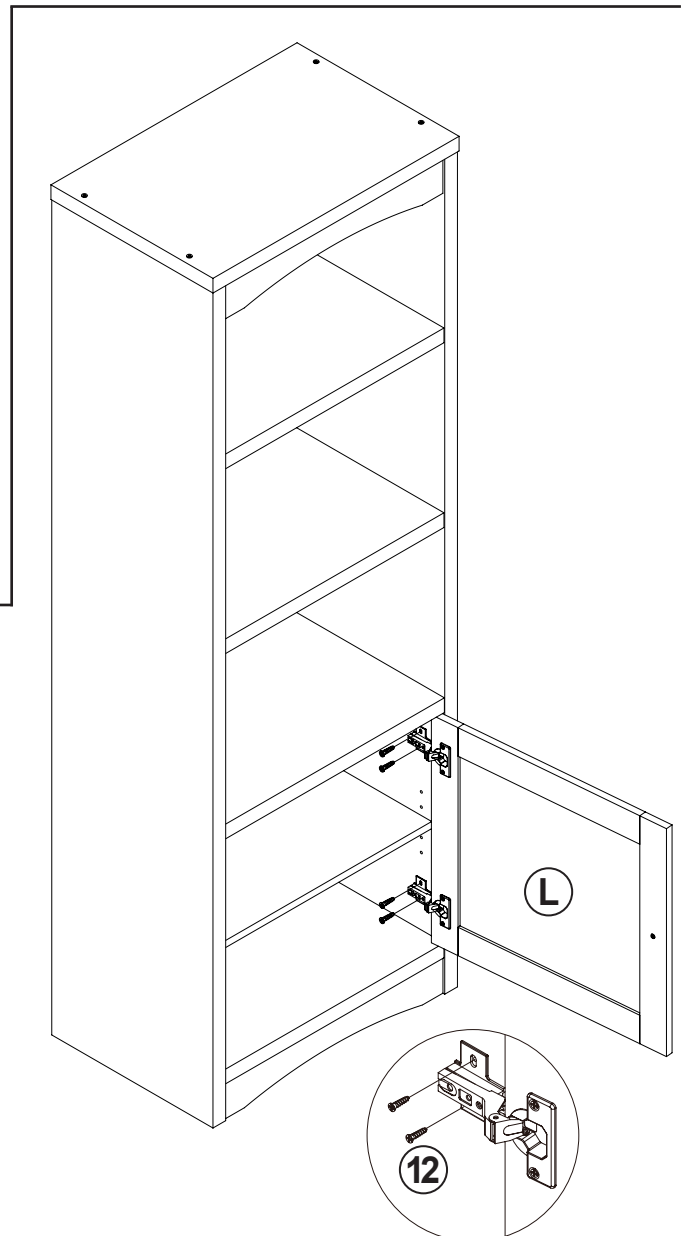
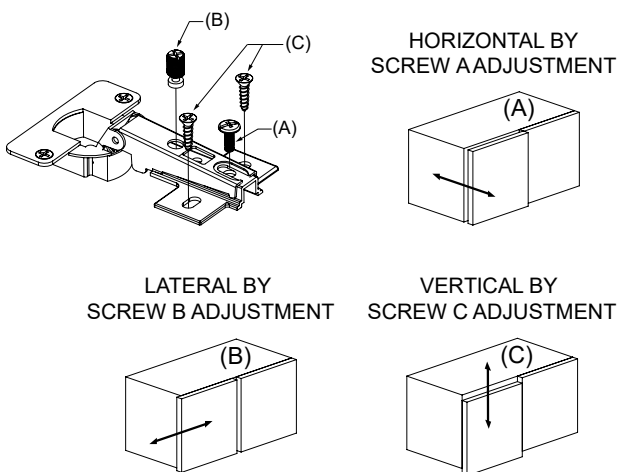
ITEM: 724114

**STEP 12**

LEFT

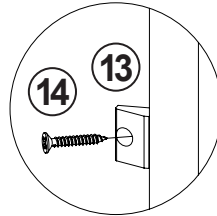
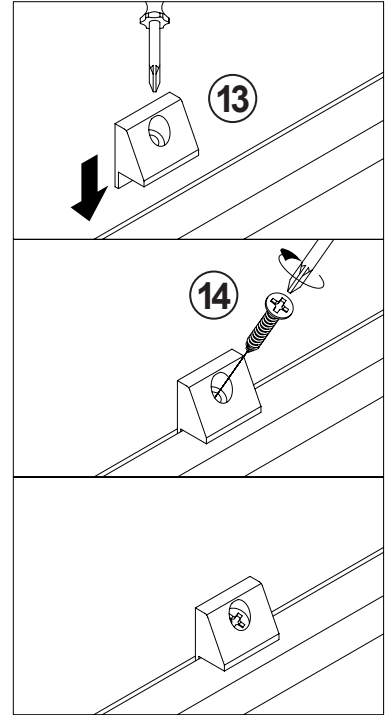
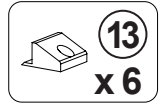
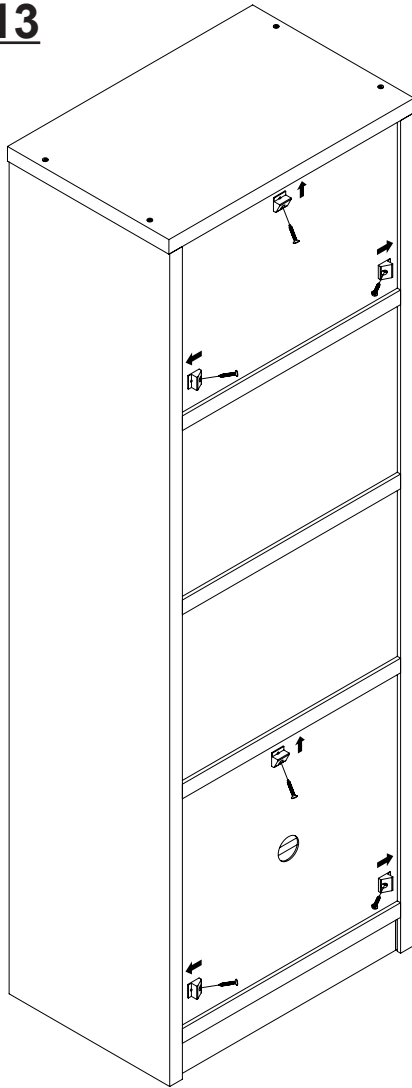


RIGHT



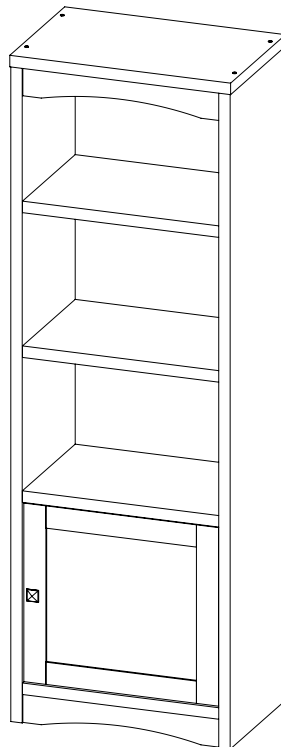
ITEM: 724114

**STEP 13**

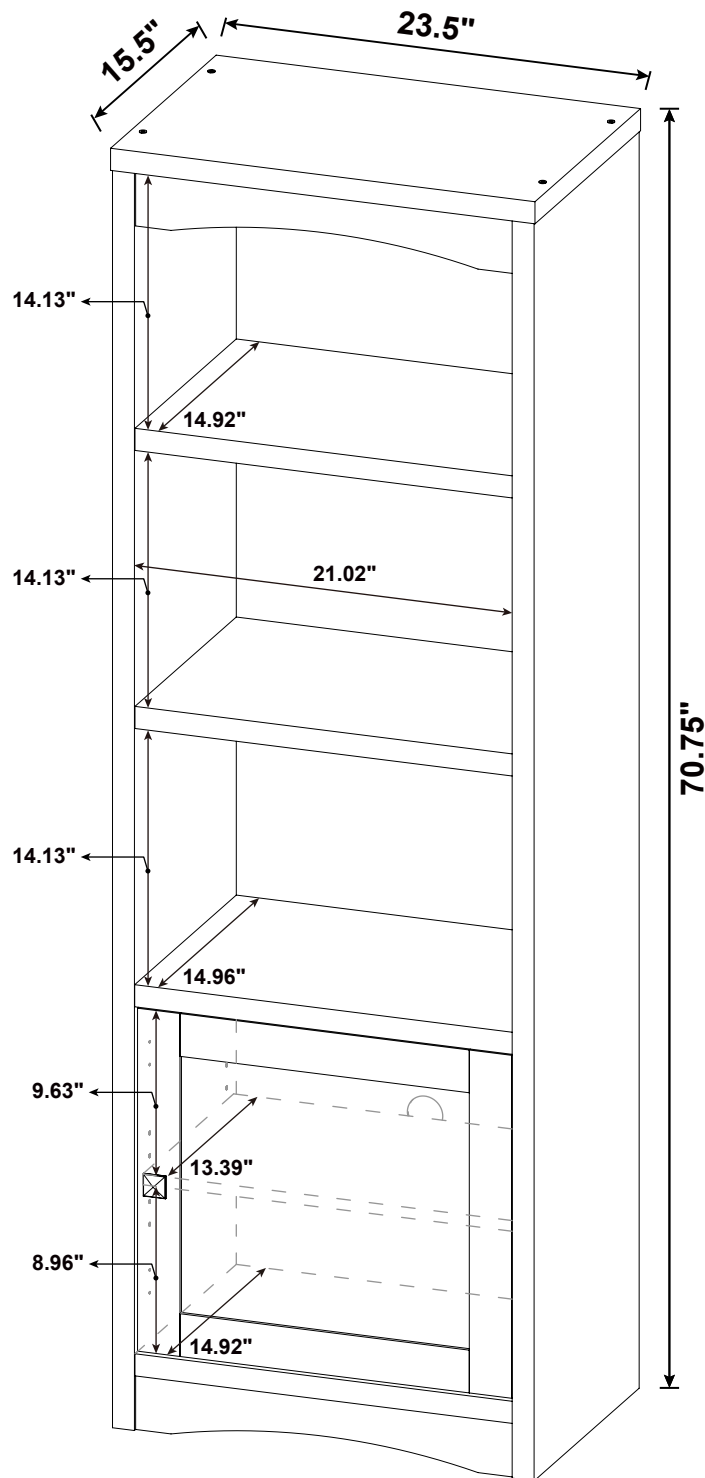


**STEP 14**

**COMPLETE**



ITEM: 724114



Note : Dimension tolerance  $\pm 5\%$

# ANTI-TIPPING INSTALLMENT INSTRUCTIONS

## FURNITURE TIPPING RESTRAINT

### WARNING

Injury may result from tipping furniture.  
This restraint may protect against tipping furniture.  
Do not allow children to climb on furniture.  
This restraint is not a substitute for proper adult supervision.  
Failure to detach this restraint before moving the furniture  
may result in injury and damage.

1. To attach the anti-tip strap, securely mount one end to the top of the case piece with the 5/8" screw.
2. Position the case piece against the wall in the desired location.
3. Pull the anti-tip strap taut and mark the position of where you will secure the other end on the wall.
4. Drill a 1-1/4" hole in the spot you marked.
5. Tap in plastic wall plug.
6. Fasten anti-tip strap with wall screw provided.

**(Please install the anti-tipping kit in the middle of the case piece if only have one set of anti-tipping kit.)**

