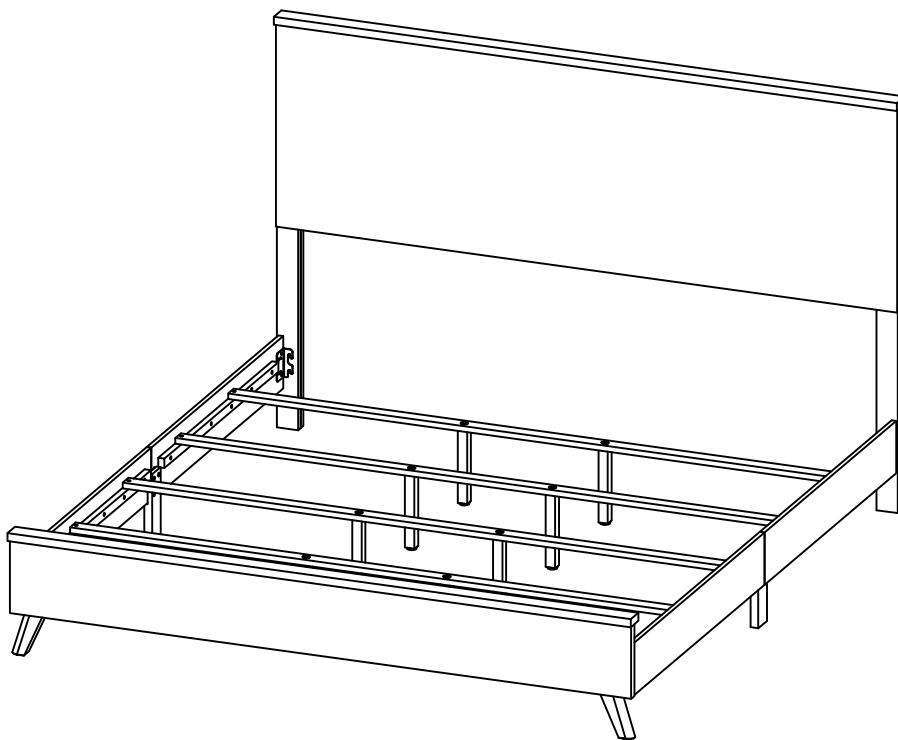


ASSEMBLY INSTRUCTIONS
COASTER FINE FURNITURE



Fine Furniture for every stage of life

225001KE
Eastern King Bed

ITEM: 225001KE



ASSEMBLY INSTRUCTIONS

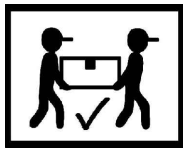
ASSEMBLY TIPS:

1. Remove hardware from box and sort by size.
2. Please check to see that all hardware and parts are present prior to start of assembly.
3. Please follow attached instructions in the same sequence as numbered to assure fast & easy assembly.



WARNING!

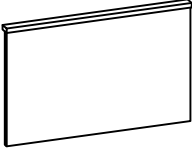










1. Don't attempt to repair or modify parts that are broken or defective. Please contact the store immediately.
2. This product is for home use only and not intended for commercial establishments.



ASSEMBLY TIME

30 MINUTES

PARTS IDENTIFICATION

A	HEADBOARD PANEL		1PC	G	BED RAIL (WITH "G" LABEL)		2PCS
B	LEFT HEADBOARD LEG (WITH "L" LABEL)		1PC	H	BED RAIL (WITH "H" LABEL)		2PCS
C	RIGHT HEADBOARD LEG (WITH "R" LABEL)		1PC	I	BED RAIL SUPPORT		2PCS
D	FOOTBOARD PANEL		1PC	J	BED SLAT		4PCS
E	LEFT FOOTBOARD LEG (WITH "L" LABEL)		1PC	K	BED SLAT SUPPORT WITH LEVELER		8PCS
F	RIGHT FOOTBOARD LEG (WITH "R" LABEL)		1PC				

ITEM: 225001KE



ASSEMBLY INSTRUCTIONS

ASSEMBLY TIPS:

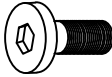
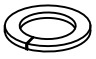
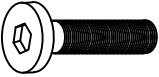

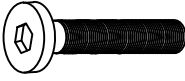

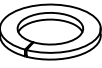




1. Remove hardware from box and sort by size.
2. Please check to see that all hardware and parts are present prior to start of assembly.
3. Please follow attached instructions in the same sequence as numbered to assure fast & easy assembly.



WARNING!

1. Don't attempt to repair or modify parts that are broken or defective. Please contact the store immediately.
2. This product is for home use only and not intended for commercial establishments.

HARDWARE IDENTIFICATION

1	BOLT 1 (M8 x 16MM - RBW)		8PCS	7	SMALL LOCK WASHER (1/4" x 13Ø - RBW)		4PCS
2	BOLT 2 (M8 x 25MM - RBW)		8PCS	8	SMALL FLAT WASHER (1/4" x 19Ø - RBW)		4PCS
3	BOLT 3 (M8 x 35MM - RBW)		6PCS	9	FLAT HEAD SCREW (M4 x 32MM - RBW)		8PCS
4	BIG LOCK WASHER (5/16" x 14Ø - RBW)		14PCS	10	SMALL ALLEN WRENCH (M4 x 60MM - BLK)		1PC
5	BIG FLAT WASHER (5/16" x 22Ø - RBW)		14PCS	11	BIG ALLEN WRENCH (M5 x 68MM - BLK)		1PC
6	BOLT 4 (M6 x 35MM - RBW)		4PCS				

NOTE:

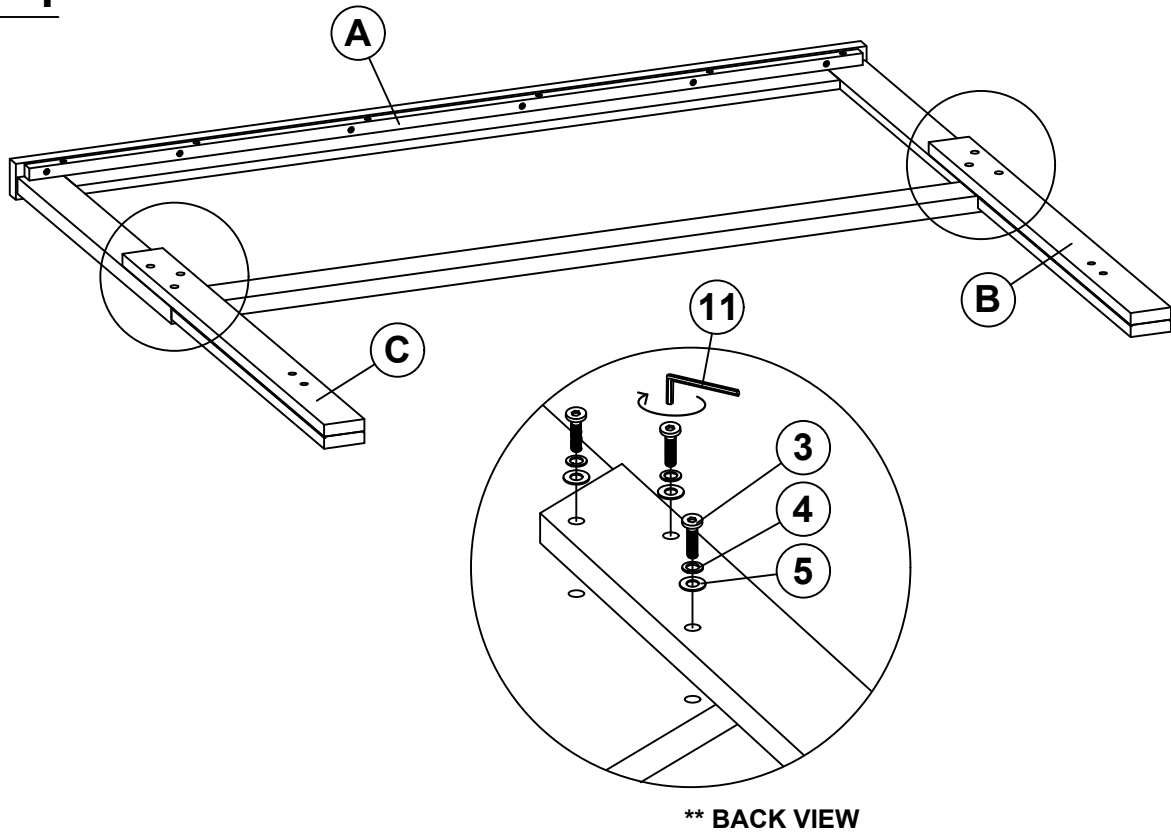
Phillips head screw driver is required in the assembly process; however, manufacturer does not provided this item.

ITEM: **225001KE**

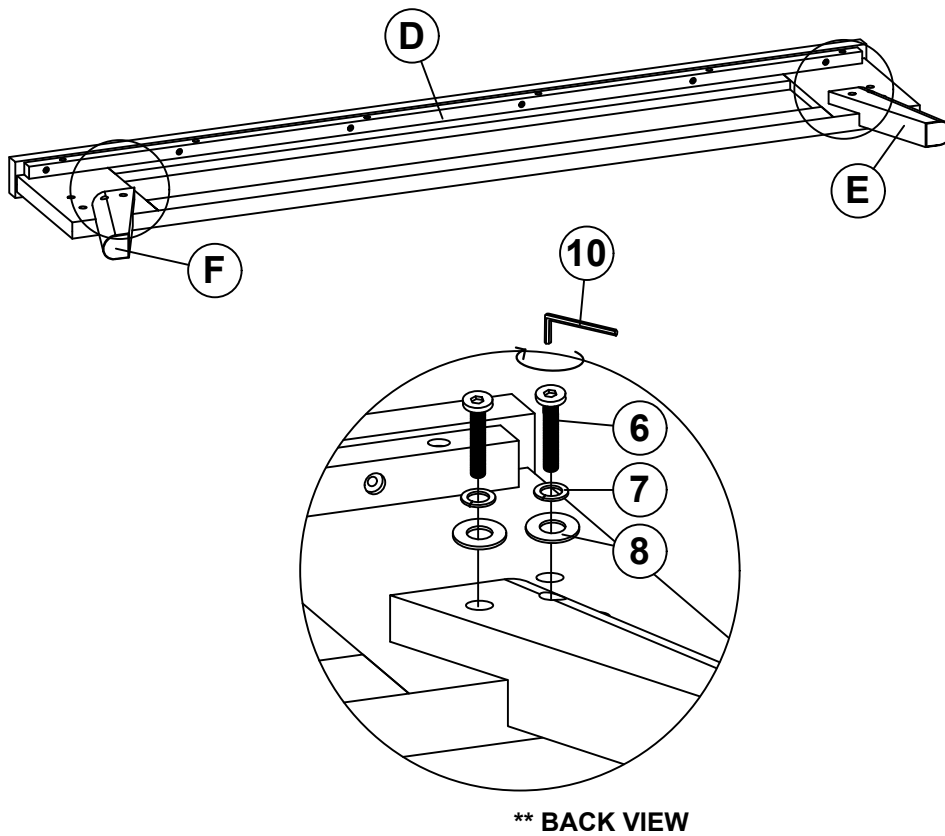
ASSEMBLY INSTRUCTIONS



STEP 1



STEP 2

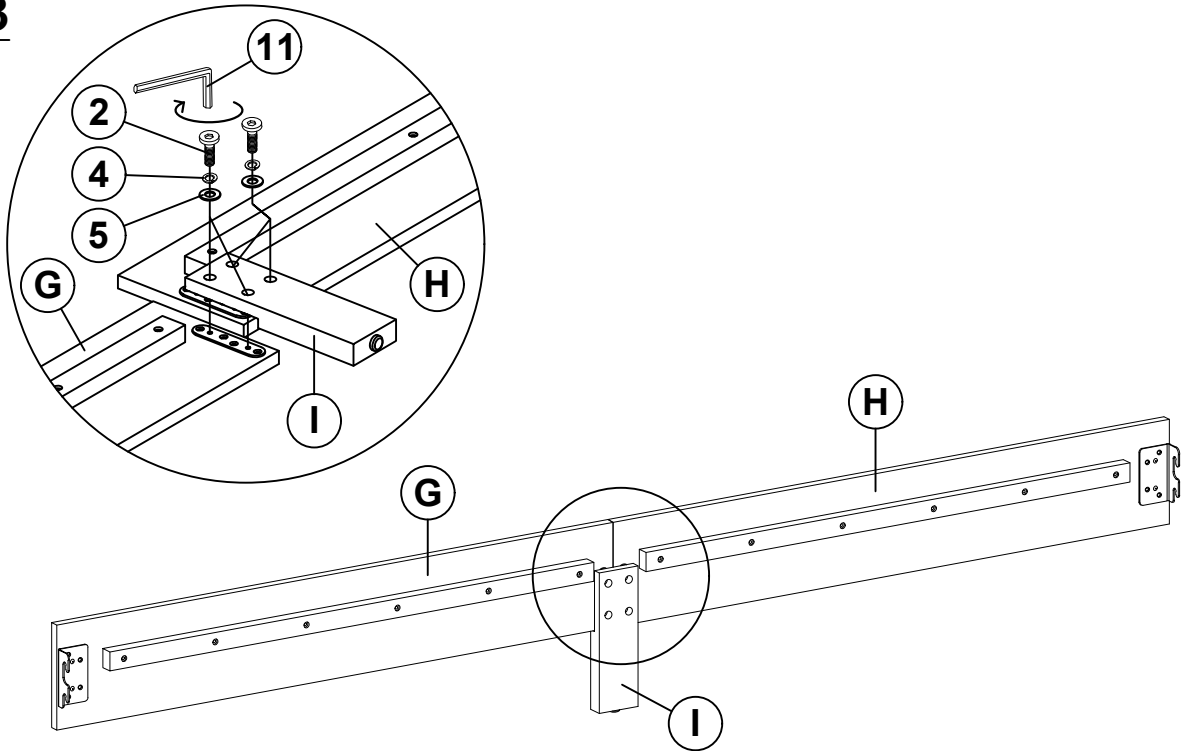


ITEM: **225001KE**

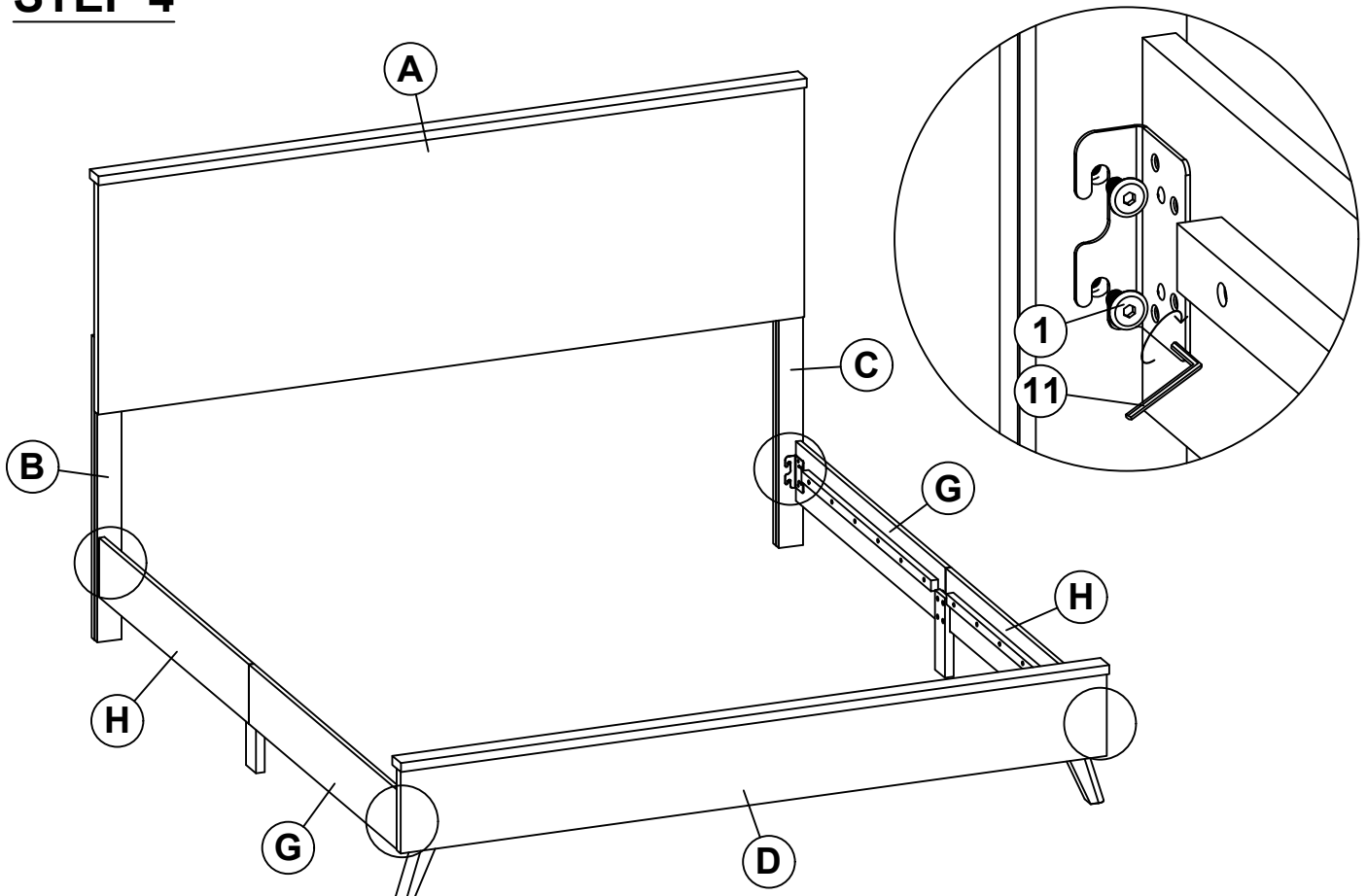
ASSEMBLY INSTRUCTIONS



STEP 3



STEP 4

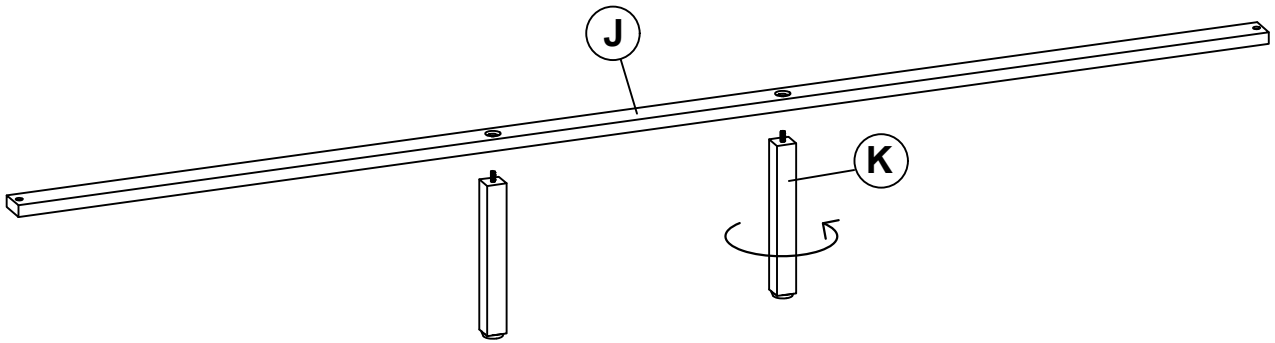


ITEM: **225001KE**

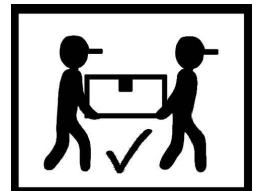
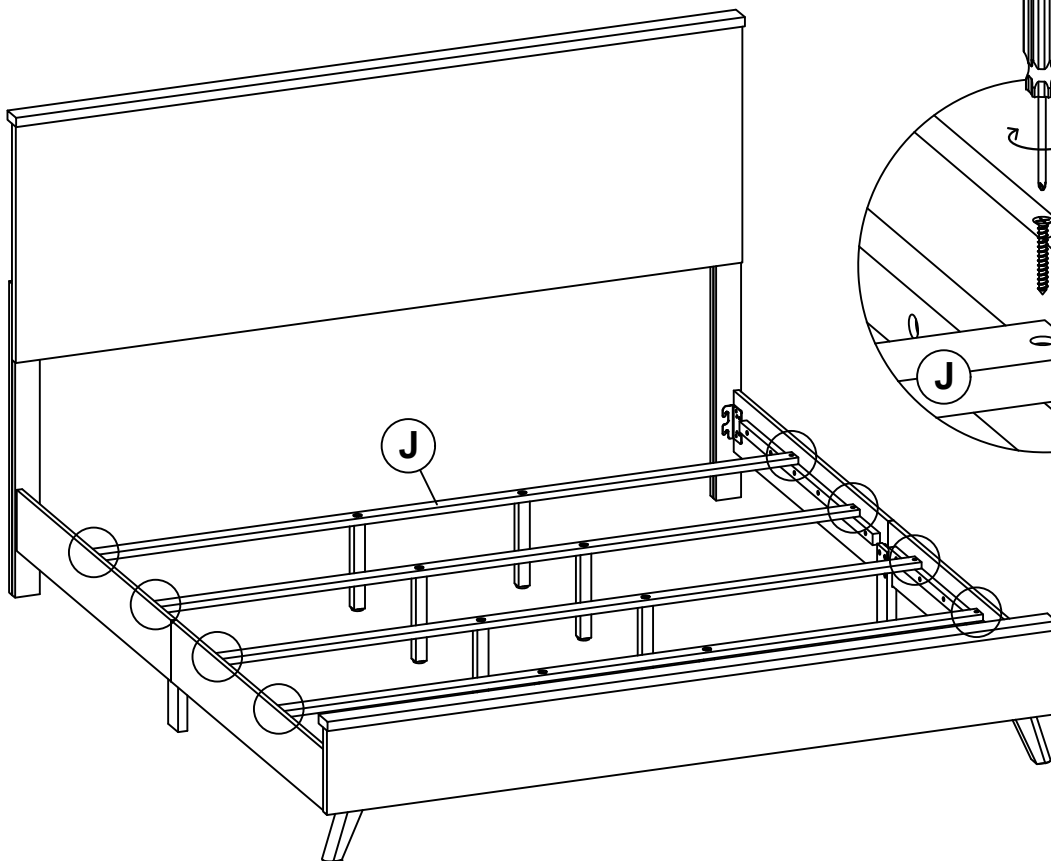
ASSEMBLY INSTRUCTIONS



STEP 5



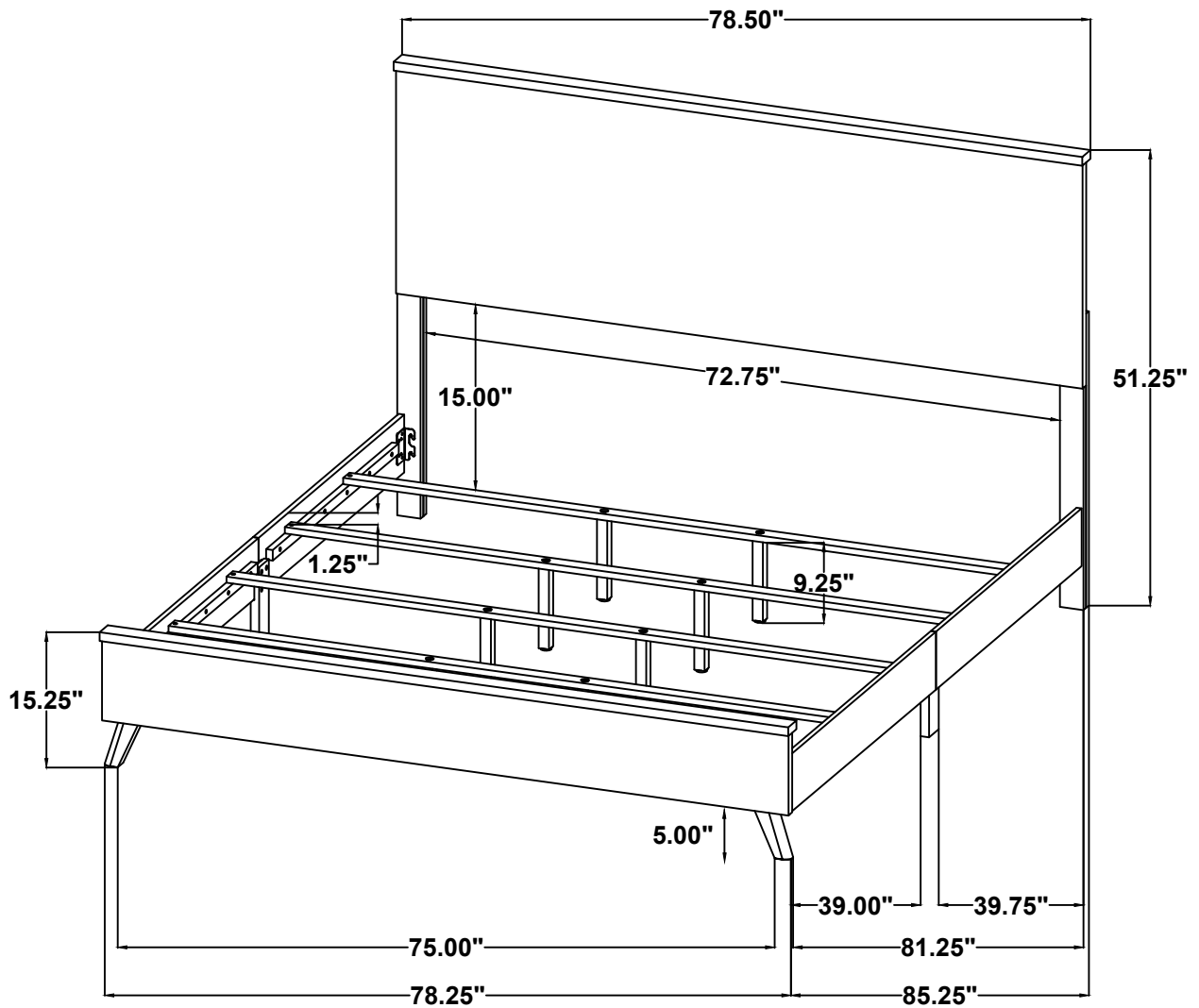
STEP 6 COMPLETE



ITEM: **225001KE**



Inner Size : 76.50"W X 81.00"D



Note : Dimension tolerance $\pm 5\%$