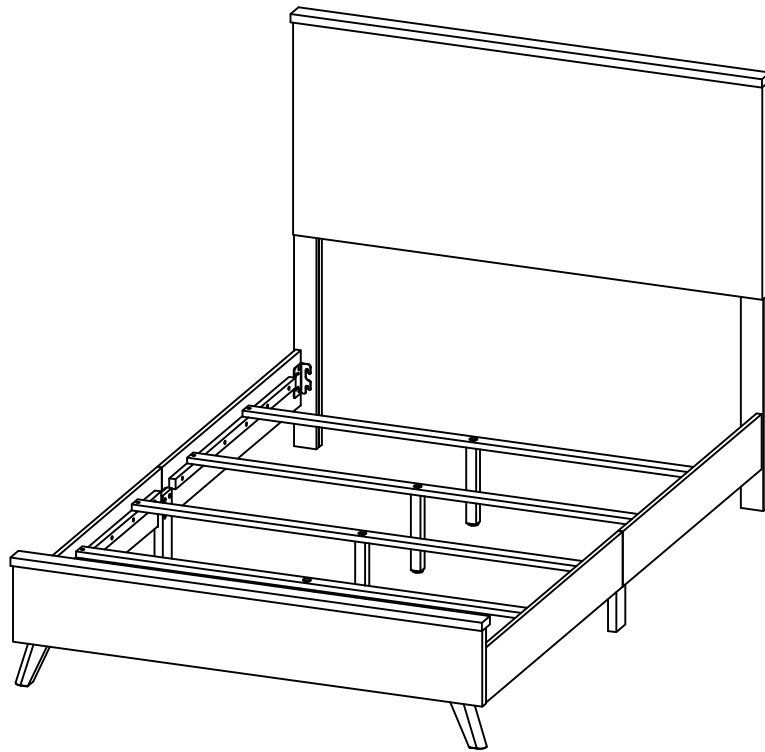


**ASSEMBLY INSTRUCTIONS**  
**COASTER FINE FURNITURE**



*Fine Furniture for every stage of life*

**225001Q**  
**Queen Bed**

# ITEM: 225001Q



## ASSEMBLY INSTRUCTIONS

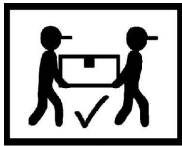
### ASSEMBLY TIPS:

1. Remove hardware from box and sort by size.
2. Please check to see that all hardware and parts are present prior to start of assembly.
3. Please follow attached instructions in the same sequence as numbered to assure fast & easy assembly.



### WARNING!

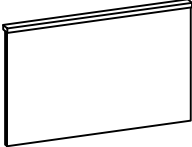










1. Don't attempt to repair or modify parts that are broken or defective. Please contact the store immediately.
2. This product is for home use only and not intended for commercial establishments.



ASSEMBLY TIME

30 MINUTES

## PARTS IDENTIFICATION

A	HEADBOARD PANEL		1PC	G	BED RAIL (WITH "G" LABEL)		2PCS
B	LEFT HEADBOARD LEG (WITH "L" LABEL)		1PC	H	BED RAIL (WITH "H" LABEL)		2PCS
C	RIGHT HEADBOARD LEG (WITH "R" LABEL)		1PC	I	BED RAIL SUPPORT		2PCS
D	FOOTBOARD PANEL		1PC	J	BED SLAT		4PCS
E	LEFT FOOTBOARD LEG (WITH "L" LABEL)		1PC	K	BED SLAT SUPPORT WITH LEVELER		4PCS
F	RIGHT FOOTBOARD LEG (WITH "R" LABEL)		1PC				

# ITEM: 225001Q



## ASSEMBLY INSTRUCTIONS

### ASSEMBLY TIPS:

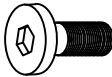

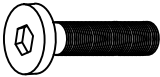

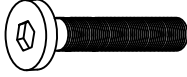



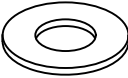


1. Remove hardware from box and sort by size.
2. Please check to see that all hardware and parts are present prior to start of assembly.
3. Please follow attached instructions in the same sequence as numbered to assure fast & easy assembly.



### WARNING!

1. Don't attempt to repair or modify parts that are broken or defective. Please contact the store immediately.
2. This product is for home use only and not intended for commercial establishments.

## HARDWARE IDENTIFICATION

1	<b>BOLT 1</b> (M8 x 16MM - RBW)		8PCS	7	<b>SMALL LOCK WASHER</b> (1/4" x 13Ø - RBW)		4PCS
2	<b>BOLT 2</b> (M8 x 25MM - RBW)		8PCS	8	<b>SMALL FLAT WASHER</b> (1/4" x 19Ø - RBW)		4PCS
3	<b>BOLT 3</b> (M8 x 35MM - RBW)		6PCS	9	<b>FLAT HEAD SCREW</b> (M4 x 32MM - RBW)		8PCS
4	<b>BIG LOCK WASHER</b> (5/16" x 14Ø - RBW)		14PCS	10	<b>SMALL ALLEN WRENCH</b> (M4 x 60MM - BLK)		1PC
5	<b>BIG FLAT WASHER</b> (5/16" x 22Ø - RBW)		14PCS	11	<b>BIG ALLEN WRENCH</b> (M5 x 68MM - BLK)		1PC
6	<b>BOLT 4</b> (M6 x 35MM - RBW)		4PCS				

### NOTE:

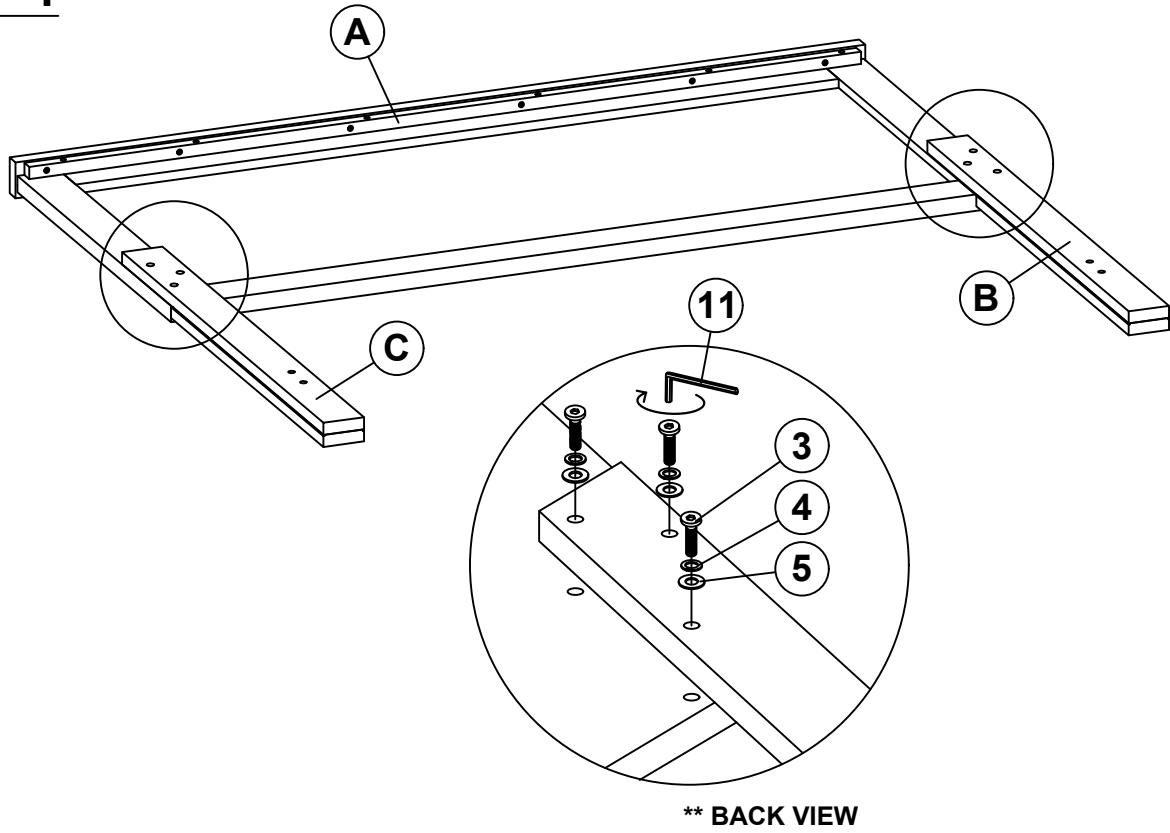
Phillips head screw driver is required in the assembly process; however, manufacturer does not provided this item.

ITEM: **225001Q**

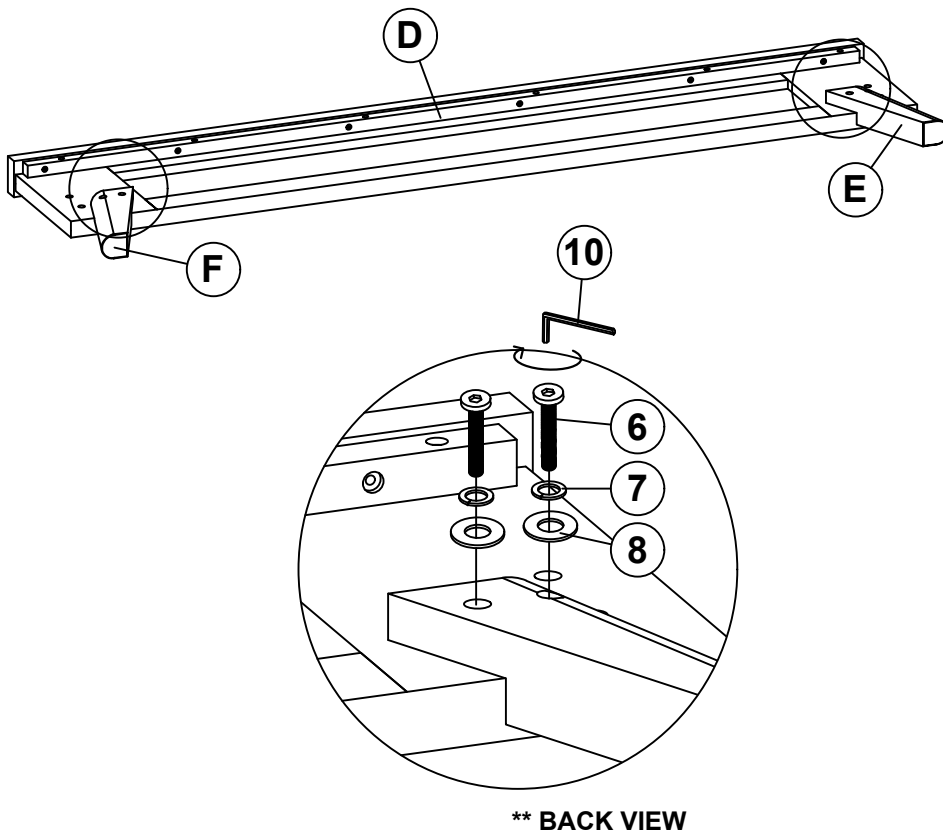
# ASSEMBLY INSTRUCTIONS



## STEP 1



## STEP 2

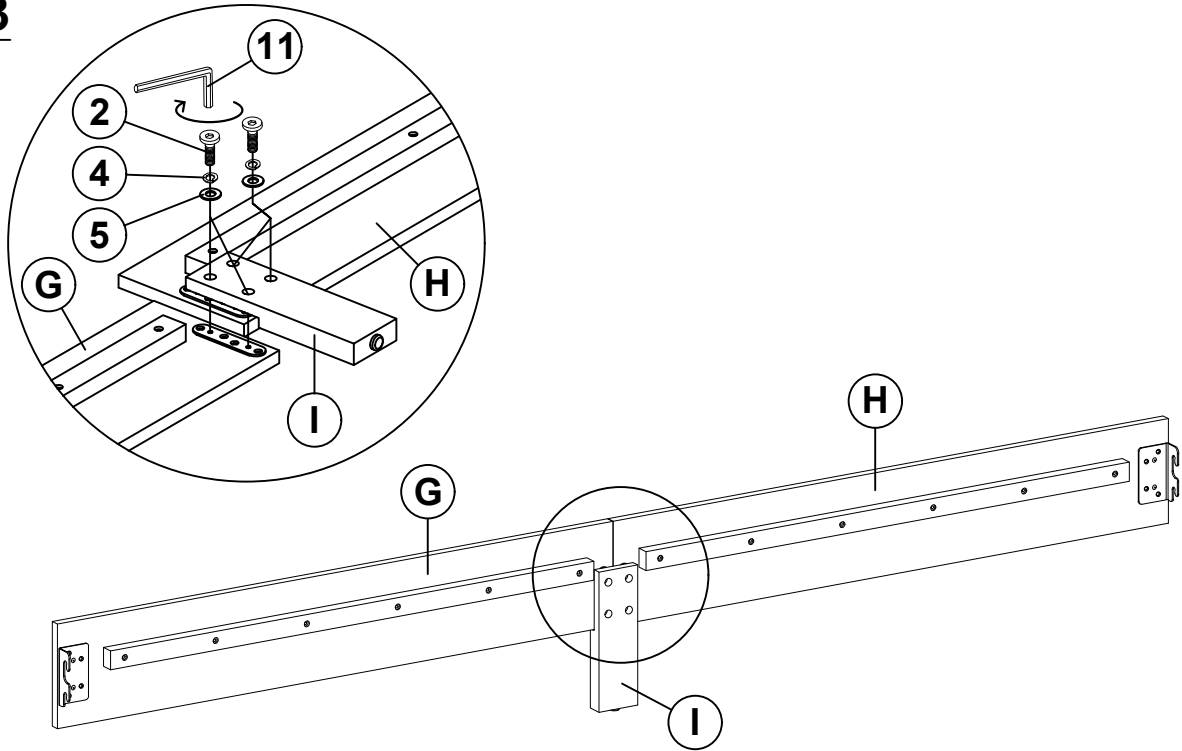


ITEM: **225001Q**

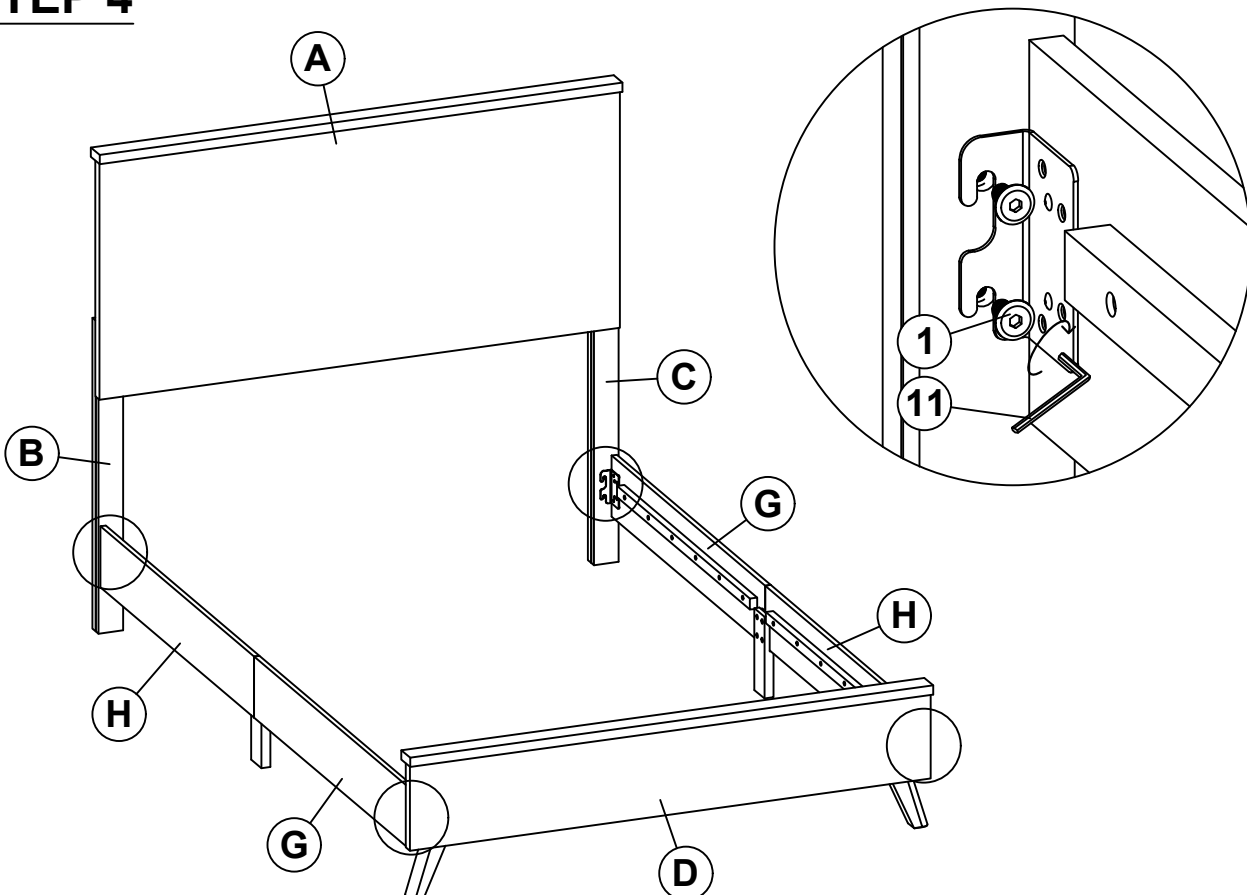
# ASSEMBLY INSTRUCTIONS



## STEP 3



## STEP 4

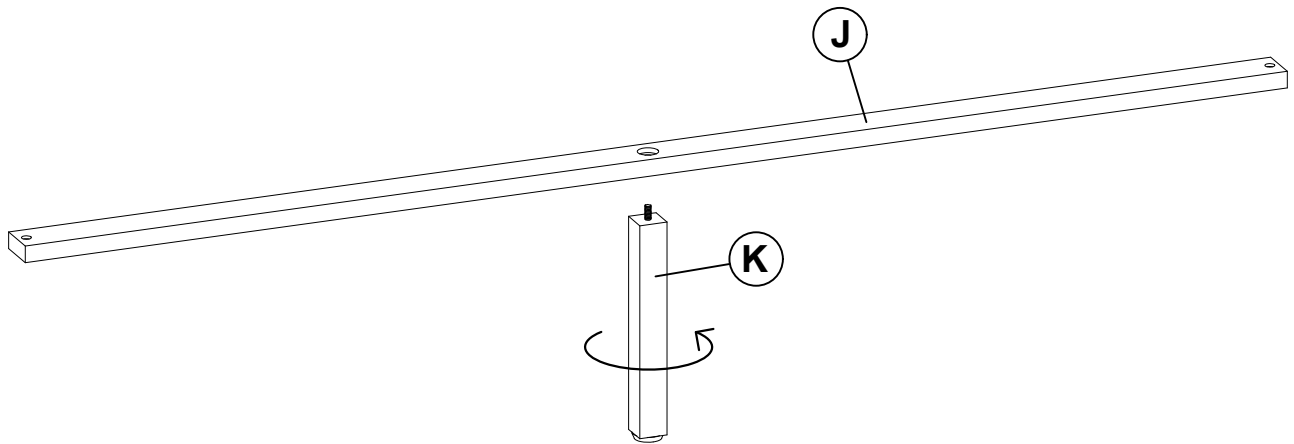


ITEM: **225001Q**

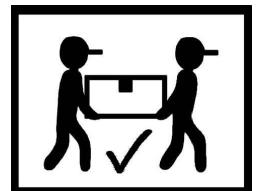
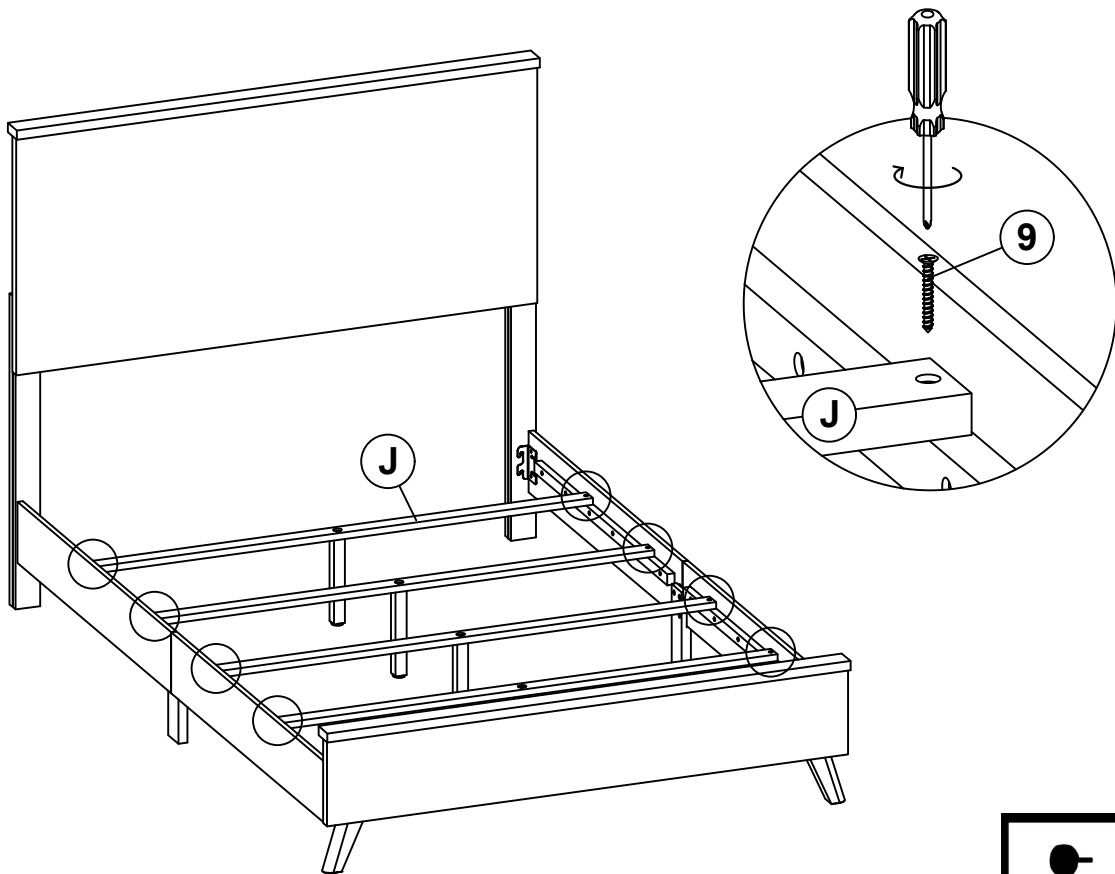
# ASSEMBLY INSTRUCTIONS



## STEP 5



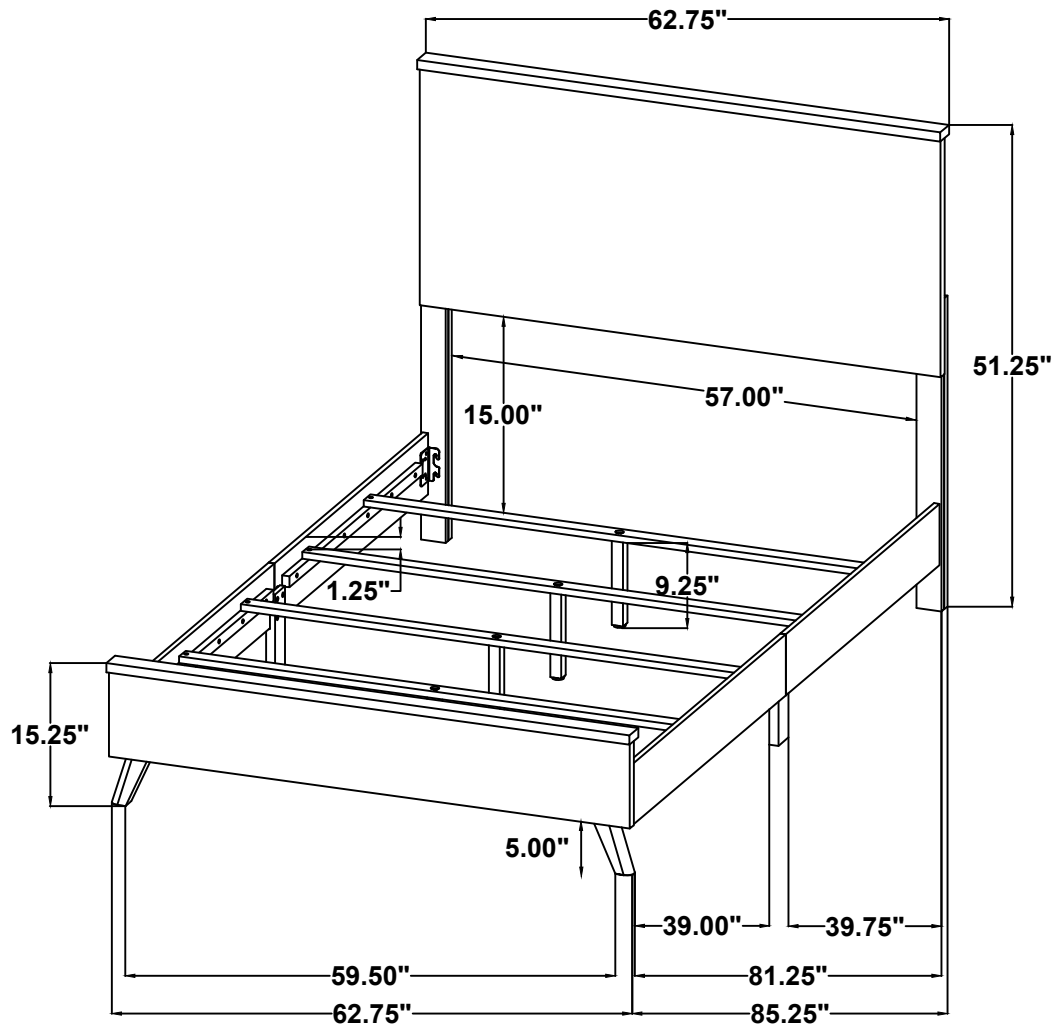
## STEP 6 COMPLETE



ITEM: **225001Q**



Inner Size : 60.75"W X 81.00"D



Note : Dimension tolerance  $\pm 5\%$